



THE DATASHEET OF E2467NLT

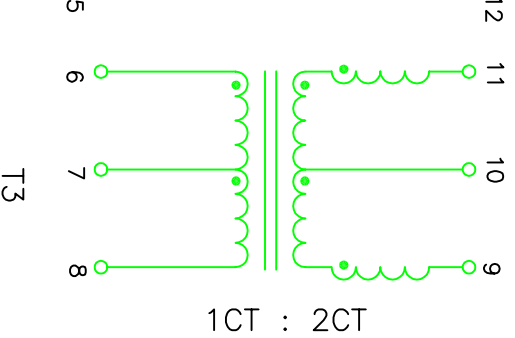
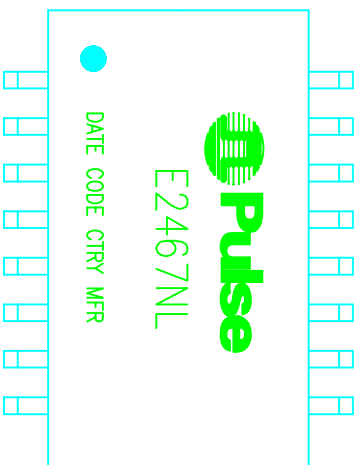


3

2

1

FINAL OUTLINE NOTES:
CHECK DIMENSIONS PER PACKAGE SPECIFICATION ITEM 10.



Electrical @ 25°C

PARAMETER	SPECIFICATIONS
TURNS RATIO	(1-3) : (14-16) = 1CT:1CT ±2% (6-8) : (9-11) = 1CT:2CT ±2%
CAPACITANCE WINDING TO WINDING	(1-3) 8 pF MAX (AT 100 KHz 20 mV(RMS)) (6-8) 12 pF MAX
DC RESISTANCE	0.3 OHMS MAX
LEAKAGE INDUCTANCE	0.3 uH MAX
INPUT - OUTPUT ISOLATION	1500 VRMS MIN @ 60 SECONDS

UNLESS OTHERWISE SPECIFIED, ALL DIMENSIONS ARE IN INCHES
TOLERANCES ARE:
DECIMALS ANGLES
XX ±.01 ± 1°
XXX ±.005
DO NOT SCALE DRAWING

SIZE: B
CASE CODE: 01961
SCALE: NONE

DWG. NO.: E2467NL-1

REV.: P1

SHEET 1 OF 2

3

2

1

A

B

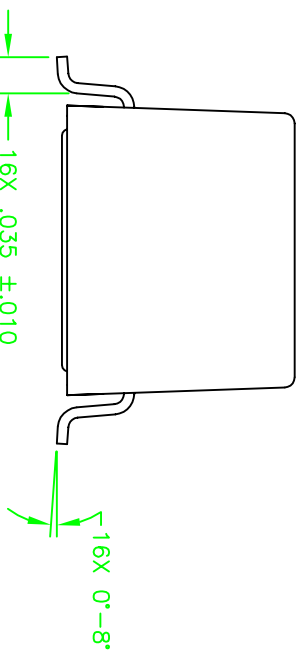
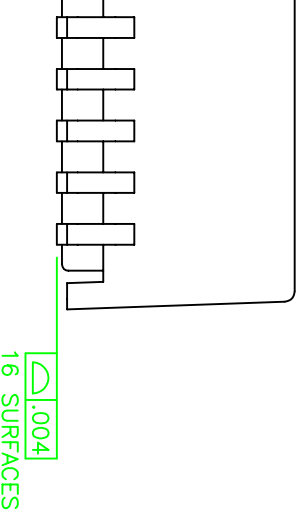
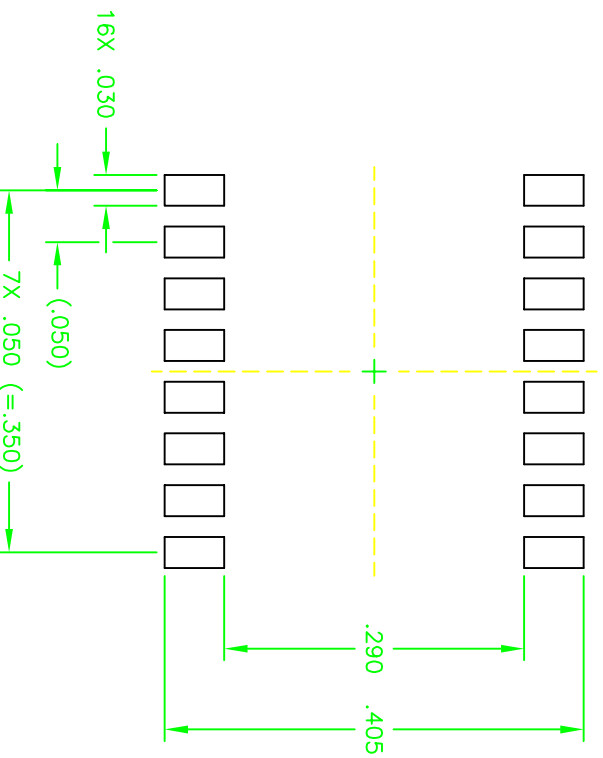
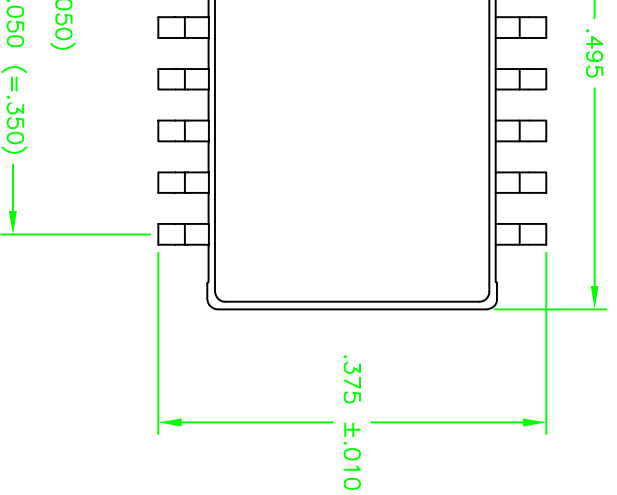
C

D

3

2

1



3

2

1

A

B

C

D



UNLESS OTHERWISE SPECIFIED, ALL DIMENSIONS ARE IN INCHES
 TOLERANCES ARE:
 DECIMALS ANGLES
 .XX $\pm .01$ $\pm 1^\circ$
 .XXX $\pm .005$
 DO NOT SCALE DRAWING

SIZE	CAGE CODE	DWG. NO.
B	01961	E2467NL
SCALE	CADD FILE	
NONE		

E2467NL	SHEET	REV.
E2467NL-2	2 OF 2	P1

Looking for pricing, stock, or lifecycle information?

Click below to explore more details on WIN SOURCE:

-  [View E2467NLT on WIN SOURCE](#)
-  [Pulse Information](#)

Optimize Your Supply Chain with WIN SOURCE Solutions

-  Global Sourcing Solution
-  Obsolete Management
-  Cost Control Management
-  Shortage Management
-  Alternative Solution
-  Excess Inventory Management