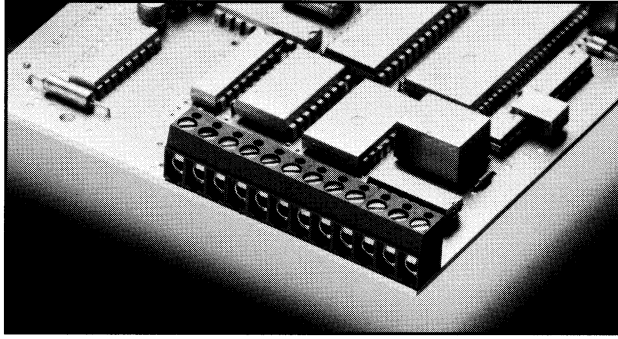




**THE DATASHEET OF  
ED1602**






# ED 100/DS



Spacing 5.0 mm  
insert required no. of poles \*\*  
How to order see page 6

### Ratings:

	 UL1059	 CSA 22.2 No. 158	 EN 60998
Rated Voltage	250 VB	300 VB	250 V
Rated Current	15 A	7 A	24 A (T60)
Wire Size	AWG 22-14	AWG 22-14	2.5 mm <sup>2</sup>
Test Voltage			2.0 kV
Rated Torque/Screw Size			0.5 Nm/M3

### Rated Cross Section

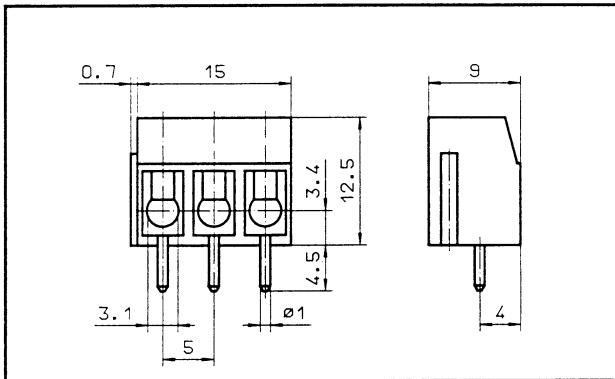
Single Wire (solid)	2.5 mm <sup>2</sup>
Stranded Wire (flexible)	1.5 mm <sup>2</sup>
Stranded wire with Ferrules	1.5 mm <sup>2</sup>

### Dimensions

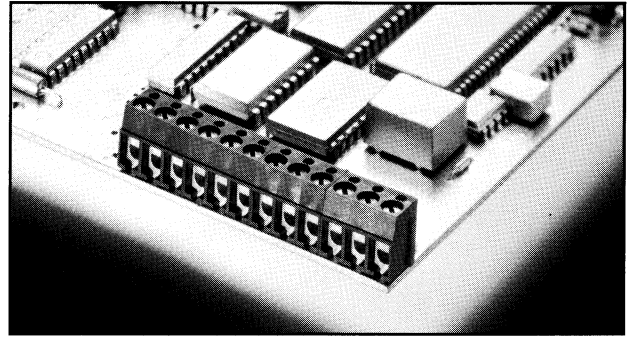
Spacing	5.0 mm
PCB Hole Diameter	1.3 mm
Stripped Length	7.0 mm

### Materials

Insulating Material	PA
Flammability Class	UL94 V-0
Temperature Range	-30°C/+105°C
Terminal Block	CuZn
Wire Guard	CuNi
Color	Blue






# ED 104/DS



Spacing 5.0 mm  
insert required no. of poles \*\*  
How to order see page 6

### Ratings:

	 UL1059	 CSA 22.2 No. 158	 EN 60998
Rated Voltage	250 VB	300 VB	250 V
Rated Current	10 A	10 A	32 A (T60)
Wire Size	AWG 22-12	AWG 22-12	4.0 mm <sup>2</sup>
Test Voltage			2.0 kV
Rated Torque/Screw Size			0.8 Nm/M3

### Rated Cross Section

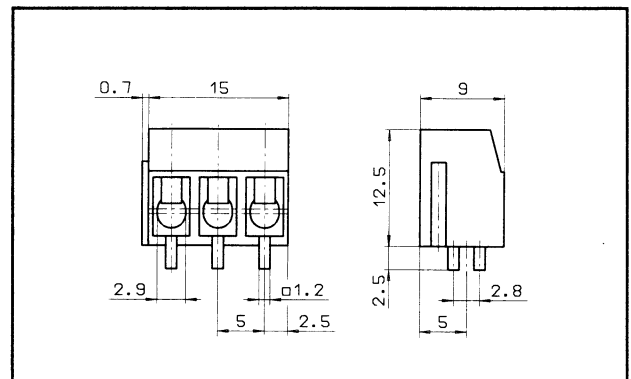
Single Wire (solid)	4.0 mm <sup>2</sup>
Stranded Wire (flexible)	2.5 mm <sup>2</sup>
Stranded wire with Ferrules	1.5 mm <sup>2</sup>

### Dimensions

Spacing	5.0 mm
PCB Hole Diameter	2.0 mm x 2.8 mm
Stripped Length	7.0 mm

### Materials

Insulating Material	PA
Flammability Class	UL94 V-0
Temperature Range	-30°C/+105°C
Terminal Block	CuZn
Wire Guard	CuNi
Color	Grey



## Looking for pricing, stock, or lifecycle information?

Click below to explore more details on WIN SOURCE:

- [View ED1602 on WIN SOURCE](#)
- [NXP / Nexperia Information](#)

## Optimize Your Supply Chain with WIN SOURCE Solutions

- ✓ Global Sourcing Solution
- ✓ Obsolete Management
- ✓ Cost Control Management
- ✓ Shortage Management
- ✓ Alternative Solution
- ✓ Excess Inventory Management