



**THE DATASHEET OF  
ELT-5KT100MC**



### Voltage Step-up Coils

Series: **Chip**  
Type: **5KT**



ELT5KT

High inductance, low profile choke coil

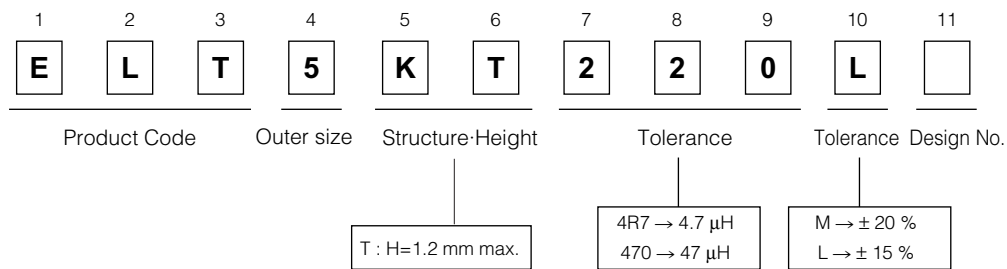
#### ■ Features

- Low profile (H=1.2 mm max.)
- High saturation current characteristics

#### ■ Recommended Applications

- DC-DC converter circuitry for LCD driver circuits
- DC-DC converter circuitry for low profile DC-DC equipment

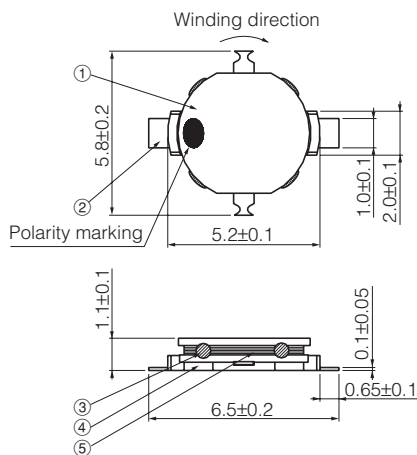
#### ■ Explanation of Part Numbers



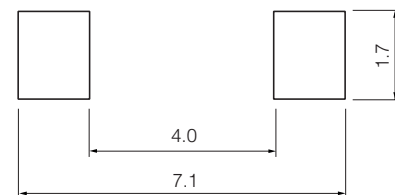
#### ■ Standard Packing Quantity

- 5000 pcs./Reel

#### ■ Dimensions in mm (not to scale)



#### ■ Recommended Land Pattern in mm (not to scale)



Part Name: ① Core ② Terminal ③ Adhesive ④ Terminal board ⑤ Coil

### ■ Standard Parts



Part No.	Inductance			R. D. C (at 25 °C)		DC Current (at 25 °C) (mA)max. *	Maximum DC Current (at 25 °C) (mA)max. **
	(μH)	Tolerance(%)	Test Freq. (kHz)	(Ω)	Tolerance(%)		
ELT5KT3R3MB	3.3	±20	100	0.17	± 20	1000	1250
ELT5KT4R7MB	4.7			0.20		950	1000
ELT5KT6R8MB	6.8			0.30		760	850
ELT5KT100MC	10.0			0.36		680	680
ELT5KT150LB	15.0	±15		0.58		510	540
ELT5KT220LB	22.0			0.90		420	480
ELT5KT330LB	33.0			1.20		360	380
ELT5KT470LB	47.0			1.70		300	320
ELT5KT680LB	68.0			2.60		260	260
ELT5KT101LB	100.0			4.30		190	210

\* DC Current : Current value measured before a temperature rise of the coil reaches a maximum of 40 °C

\*\* Maximum DC Current : Current value when the inductance typically changes -5 % from its original value

## Looking for pricing, stock, or lifecycle information?

Click below to explore more details on WIN SOURCE:

-  [View ELT-5KT100MC on WIN SOURCE](#)
-  [Panasonic Information](#)

## Optimize Your Supply Chain with WIN SOURCE Solutions

-  Global Sourcing Solution
-  Obsolete Management
-  Cost Control Management
-  Shortage Management
-  Alternative Solution
-  Excess Inventory Management