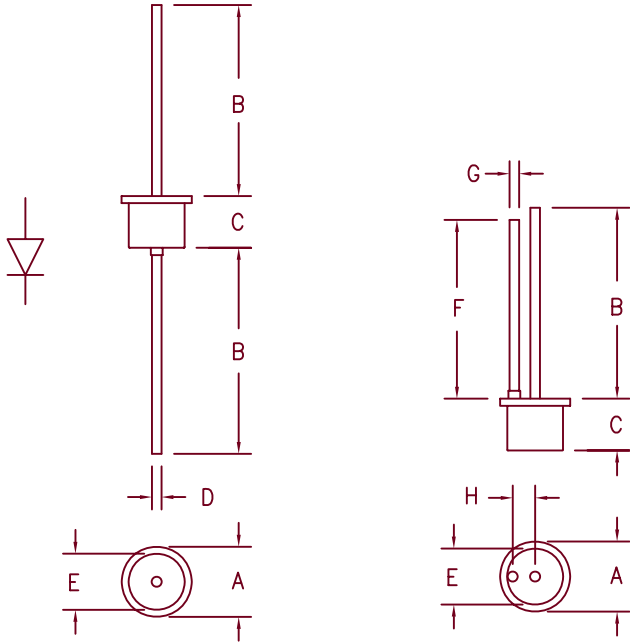


Silicon Rectifiers

1N4719–1N4725, 1N4997–1N5003



1N4719–1N4725

1N4997–1N5003

Dim.	Inches		Millimeter		Notes
	Minimum	Maximum	Minimum	Maximum	
A	---	.450	---	11.43	Dia.
B	.980	---	24.89	---	
C	---	.300	---	7.62	
D	.046	.056	1.17	1.42	Dia.
E	---	.350	---	8.89	Dia.
F	.960	---	24.38	---	
G	.031	.035	.79	.89	Dia.
H	.145	.165	3.68	4.19	

Microsemi Catalog Number

1N4719, 1N4997
1N4720, 1N4998
1N4721, 1N4999
1N4722, 1N5000
1N4723, 1N5001
1N4724, 1N5002
1N4725, 1N5003

Peak Reverse Voltage

50V
100V
200V
400V
600V
800V
1000V

- High Surge Capability
- 175°C Junction Temperature
- VRRM 50 to 1000 Volts
- 3 Amp Current Rating
- Hermetically Sealed

Electrical Characteristics

Average forward current
Maximum surge current
Max peak forward voltage
Max peak reverse current

$I_F(AV)$ 3.0 Amps
 I_{FSM} 300 Amps
VFM 1.0 Volts
 I_{RM} 25 μ A

$T_A = 119^\circ\text{C}$, Square wave, $R_{\theta JL} = 12^\circ\text{C/W}$, $L = 1/4"$
8.3ms, half sine, $T_J = 175^\circ\text{C}$
 $I_{FM} = 3.0A$; $T_J = 25^\circ\text{C}^*$
 $V_{RRM}, T_J = 25^\circ\text{C}$

*Pulse test: Pulse width 300 μ sec, Duty cycle 2%

Thermal and Mechanical Characteristics

Storage temperature range
Operating junction temp range
Maximum thermal resistance
Weight

T_{STG}
 T_J
 $L = 1/4"$ $R_{\theta JL}$

-65°C to 175°C
 -65°C to 175°C
 12°C/W Junction to Lead
.08 ounces (2.3 grams) typical



6 Lake Street
Lawrence, MA 01841
PH: (978) 620-2600
FAX: (978) 689-0803
www.microsemi.com

05-01-07 Rev. 3

1N4719-1N4725, 1N4997-1N5003

Figure 1
Typical Forward Characteristics

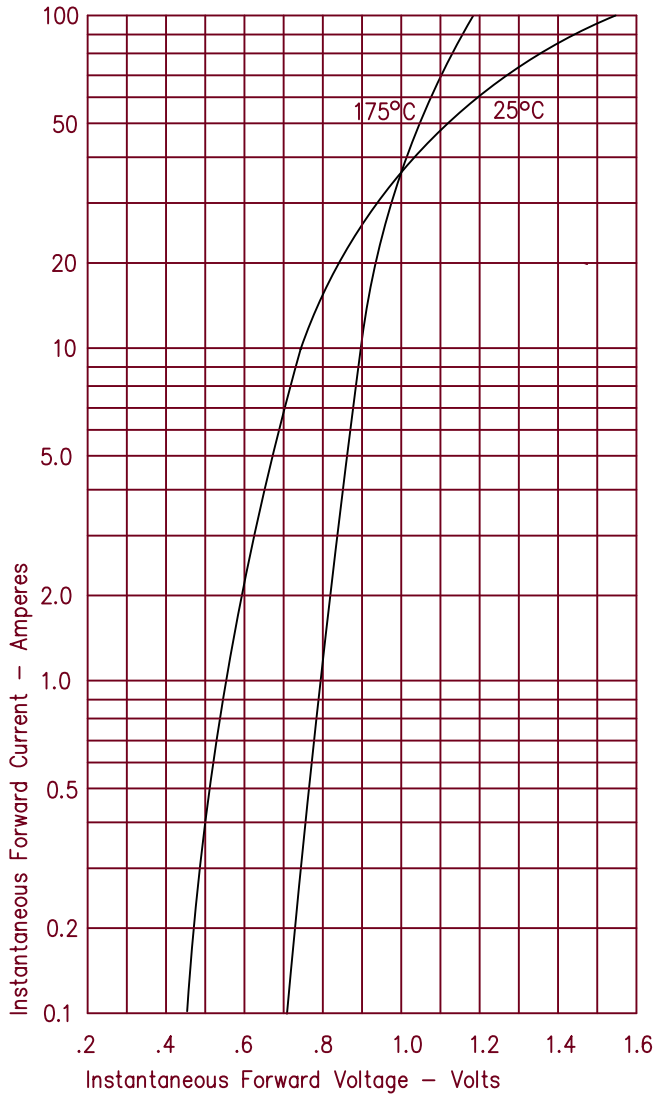


Figure 3
Forward Current Derating

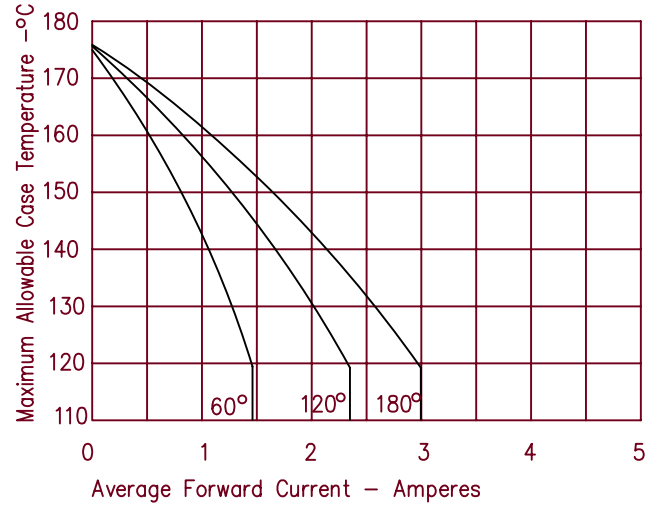
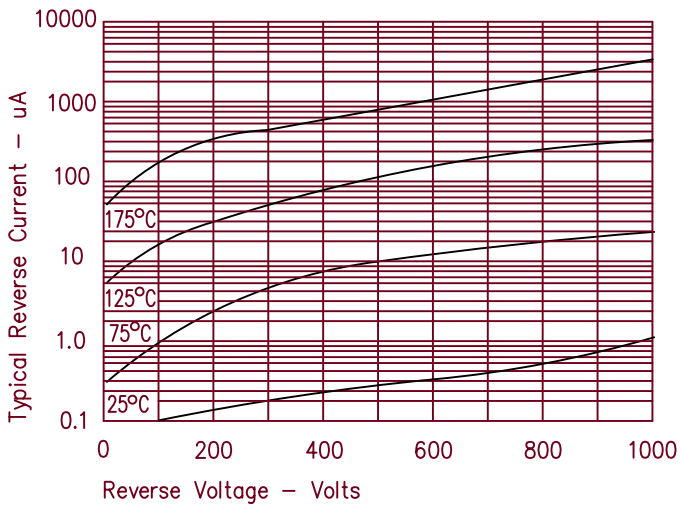




Figure 2
Typical Reverse Characteristics



Looking for pricing, stock, or lifecycle information?

Click below to explore more details on WIN SOURCE:

-  [View 1N4725 on WIN SOURCE](#)
-  [Microsemi Corporation](#) Information

Optimize Your Supply Chain with WIN SOURCE Solutions

-  Global Sourcing Solution
-  Obsolete Management
-  Cost Control Management
-  Shortage Management
-  Alternative Solution
-  Excess Inventory Management