

# Specification

|              |                      |
|--------------|----------------------|
| Drawing No.  | K1101-13754-432 1/11 |
| Issued Date. | Jan.24,2014          |

**TO: Digi-Key**

---

**Note: In case of specification change, KYOCERA Part Number also will be changed.**

|                               |   |
|-------------------------------|---|
| Product Name                  | Quartz Crystal                                    |
| Product Model                 | CX3225GB  |
| Frequency                     | Refer to K1101-13754-432 3/11 Nominal Frequency   |
| Customer Part Number          | -   |
| Customer Specification Number | -   |
| KYOCERA Part Number           | Refer to K1101-13754-432 3/11 KYOCERA Part Number |
| Remarks                       | RoHS Compliant, MSL 1                             |

## Customer Acceptance

|                  |                  |  |
|------------------|------------------|--|
| Accept Signature | Approved Date    |  |
|                  | Department       |  |
|                  | Person in charge |  |
|                  |                  |  |

Seller

**KYOCERA Corporation**

6 Takeda Tobadono-cho, Fushimi-ku, Kyoto

612-8501 Japan

TEL. No. 075-604-3500

FAX. No. 075-604-3501

Manufacturer

**KYOCERA Crystal Device Corporation**

5850, Higashine-Koh, Higashine-Shi, Yamagata

999-3701 Japan

TEL. No. 0237-43-5611

FAX. No. 0237-43-5615

| Design Department  | Quality Assurance | Approved by | Checked by | Issued by   |
|--|-------------------|-------------|------------|-------------|
| KYOCERA Crystal Device Corporation<br>Crystal Design Section<br>Crystal Units Division | A.Kikuchi         | Y.Takahashi | T.Nitoube  | M.Hashimoto |

## Revision History

| Rev.No. | Description of revise            | Date        | Approved by | Checked by | Issued by   |
|---------|----------------------------------|-------------|-------------|------------|-------------|
| 1       | First Edition                    | Jul.29,2013 | Y.Takahashi | T.Nitoube  | M.Konno     |
| 2       | •Frequency Addition.<br>49152kHz | Jan,24,2014 | Y.Takahashi | T. Nitoube | M.Hashimoto |

**[PART NUMBER LIST]**

| Nominal Frequency (MHz) | KYOCERA Part Number  | ESR ( $\Omega$ ) | Nominal Frequency Code |
|-------------------------|----------------------|------------------|------------------------|
| 10                      | CX3225GB10000P0HPQCC | 300              | 10000                  |
| 12                      | CX3225GB12000P0HPQCC | 250              | 12000                  |
| 12.288                  | CX3225GB12288P0HPQCC | 250              | 12288                  |
| 13                      | CX3225GB13000P0HPQCC | 250              | 13000                  |
| 13.56                   | CX3225GB13560P0HPQCC | 250              | 13560                  |
| 14.31818                | CX3225GB14318P0HPQCC | 100              | 14318                  |
| 14.7456                 | CX3225GB14745P0HPQCC | 100              | 14745                  |
| 16                      | CX3225GB16000P0HPQCC | 80               | 16000                  |
| 16.384                  | CX3225GB16384P0HPQCC | 80               | 16384                  |
| 18.432                  | CX3225GB18432P0HPQCC | 80               | 18432                  |
| 19.2                    | CX3225GB19200P0HPQCC | 80               | 19200                  |
| 20                      | CX3225GB20000P0HPQCC | 60               | 20000                  |
| 22.5792                 | CX3225GB22579P0HPQCC | 60               | 22579                  |
| 24                      | CX3225GB24000P0HPQCC | 60               | 24000                  |
| 24.576                  | CX3225GB24576P0HPQCC | 60               | 24576                  |
| 25                      | CX3225GB25000P0HPQCC | 60               | 25000                  |
| 27                      | CX3225GB27000P0HPQCC | 50               | 27000                  |
| 27.12                   | CX3225GB27120P0HPQCC | 50               | 27120                  |
| 30                      | CX3225GB30000P0HPQCC | 50               | 30000                  |
| 32                      | CX3225GB32000P0HPQCC | 50               | 32000                  |
| 33.333                  | CX3225GB33333P0HPQCC | 50               | 33333                  |
| 36                      | CX3225GB36000P0HPQCC | 50               | 36000                  |
| 38.4                    | CX3225GB38400P0HPQCC | 50               | 38400                  |
| 40                      | CX3225GB40000P0HPQCC | 50               | 40000                  |
| 48                      | CX3225GB48000P0HPQCC | 50               | 48000                  |
| 49.152                  | CX3225GB49152P0HPQCC | 50               | 49152                  |
| 50                      | CX3225GB50000P0HPQCC | 50               | 50000                  |
| 54                      | CX3225GB54000P0HPQCC | 50               | 54000                  |



### 1. APPLICATION

This specification sheet is applied to quartz crystal “CX3225GB”

### 2. KYOCERA PART NUMBER

Refer to K1101-13754-432 3/11 KYOCERA Part Number

### 3. RATINGS

| Items                     | SYMB. | Rating  | Unit | Remarks |
|---------------------------|-------|---------|------|---------|
| Operating Temperature     | Topr  | -40~+85 | °C   |         |
| Storage Temperature Range | Tstg  | -40~+85 | °C   |         |

### 4. CHARACTERISTICS

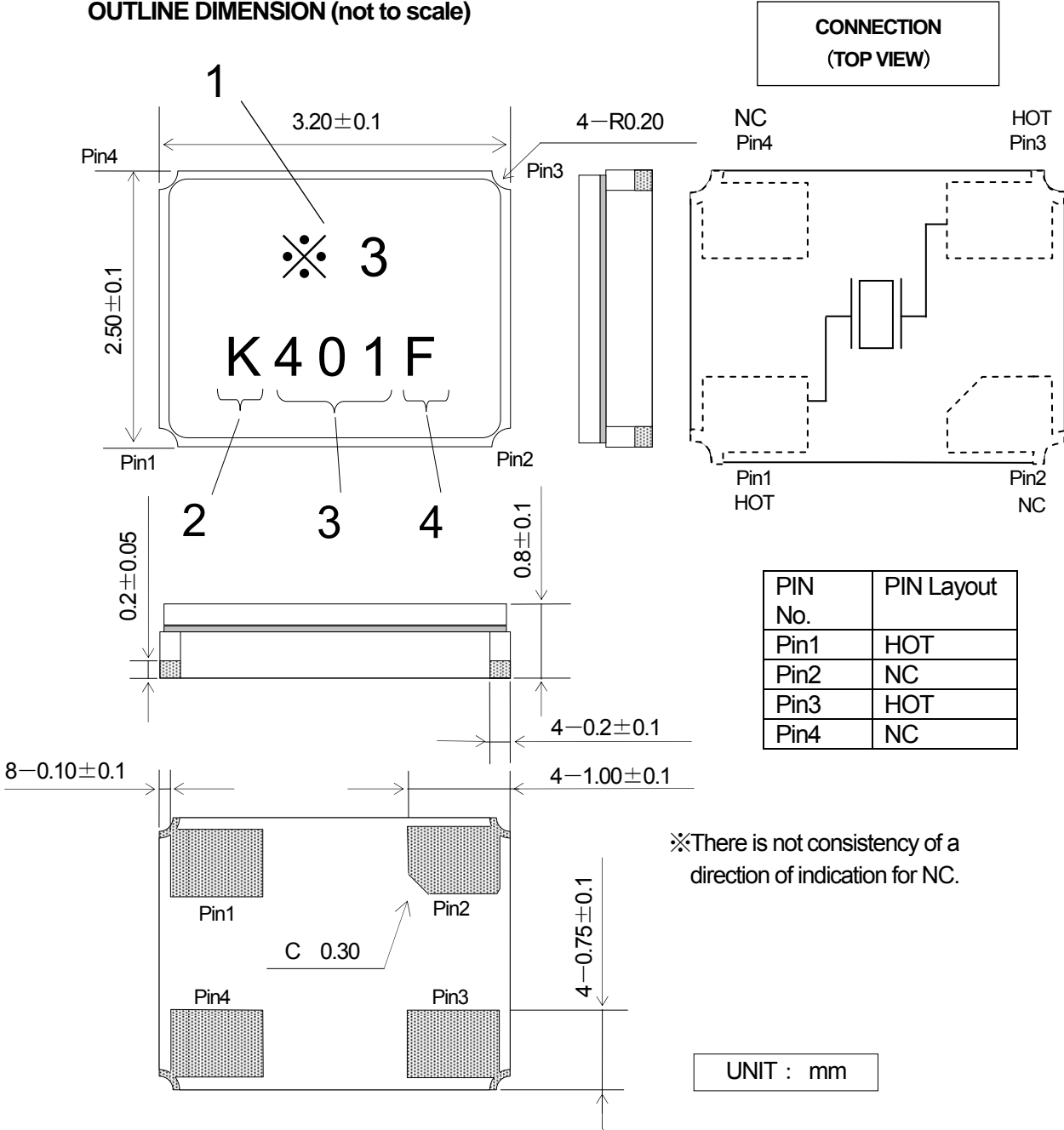
#### 4-1 ELECTRICAL CHARACTERISTICS

| Items                                 | Electrical Specification |             |      |       |      | Test Condition | Remarks |
|---------------------------------------|--------------------------|-------------|------|-------|------|----------------|---------|
|                                       | SYMB.                    | Min.        | Typ. | Max.  | Unit |                |         |
| Mode of Vibration                     |                          | Fundamental |      |       |      |                |         |
| Nominal Frequency                     | F0                       |             | ※1   |       | MHz  |                |         |
| Nominal Temperature                   | T <sub>NOM</sub>         |             | +25  |       | °C   |                |         |
| Load Capacitance                      | CL                       |             | 18.0 |       | pF   |                |         |
| Frequency Tolerance                   | df/F                     | -20.0       |      | +20.0 | PPM  | +25±3°C        |         |
| Frequency Temperature Characteristics | df/F                     | -30.0       |      | +30.0 |      | -40~+85°C      |         |
| Frequency Aging Rate                  |                          | -5.0        |      | +5.0  |      | 1 year         | +25±3°C |
| Equivalent Series Resistance          | ESR                      |             |      | ※2    | Ω    |                |         |
| Drive Level                           | Pd                       | 0.01        |      | 100   | μW   |                |         |
| Insulation Resistance                 | IR                       | 500         |      |       | MΩ   | 100V(DC)       |         |

※1 Refer to K1101-13754-432 3/11 Nominal Frequency

※2 Refer to K1101-13754-432 3/11 ESR

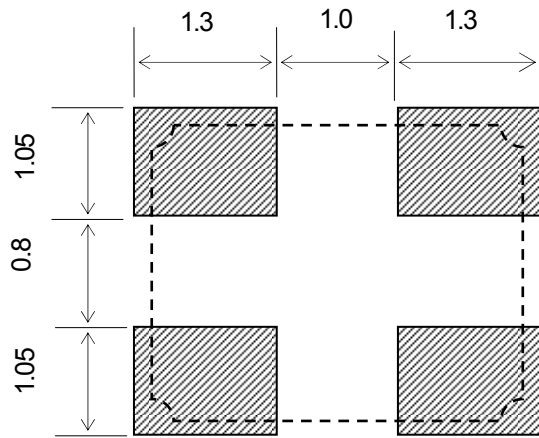
**5. APPEARANCES, PHYSICAL DIMENSION**  
**OUTLINE DIMENSION (not to scale)**



**MARKING**

- |                          |  |
|--------------------------|--|
| 1 Nominal Frequency      | Move the number of maximum indication beams of the frequency to five digits, and omit less than kHz. |
| 2 Identification         |  |
| 3 Date Code              | Year···LAST 1 DIGIT of YEAR AND WEEK<br>(Ex) Jan. 1, 2014 → 401                                      |
| 4 Manufacturing Location | F··KYOCERA Crystal Device Philippines, Inc   |

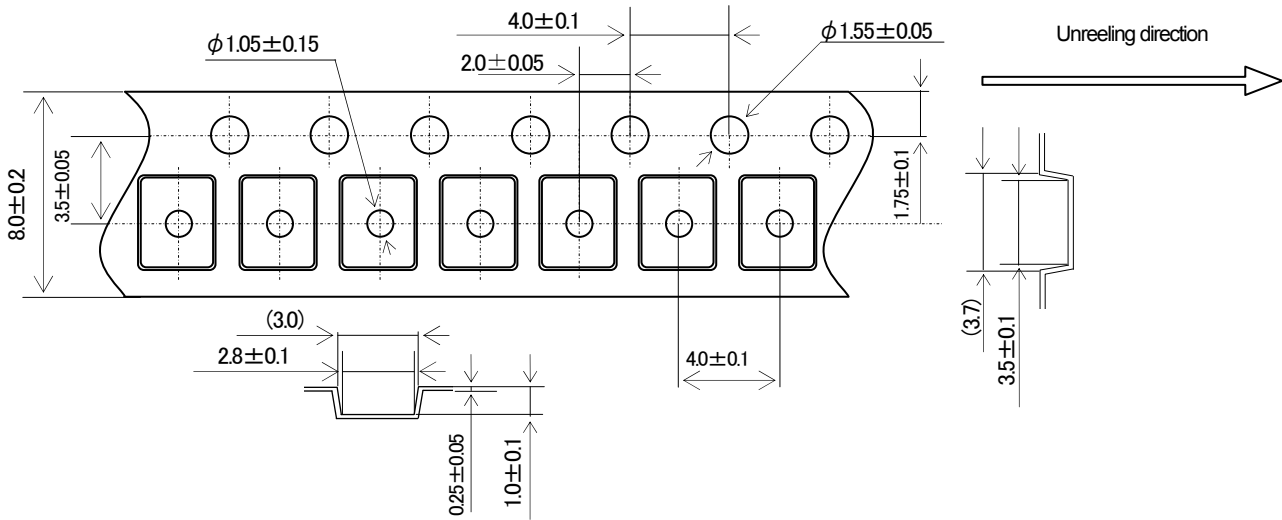
※3 Refer to K1101-13754-432 3/11 Nominal Frequency Code.  
The font of marking is reference.

**6. RECOMMENDED LAND PATTERN (not to scale)**

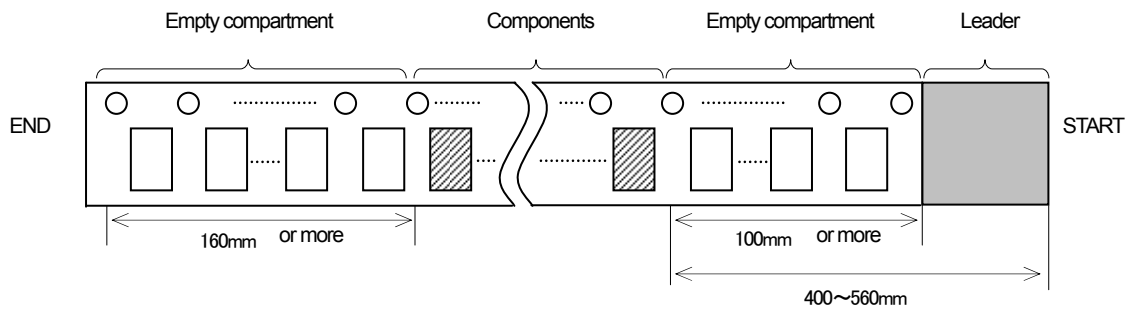
UNIT : mm

## 7.TAPING & REEL 梱包補助材

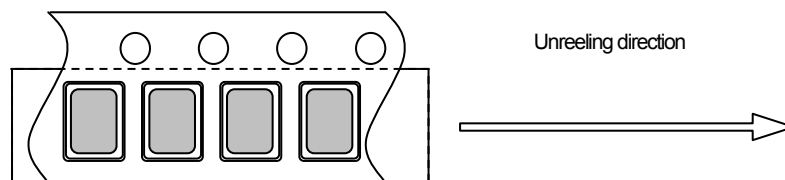
### 7-1.Dimensions



### 7-2.Leader and trailer tape

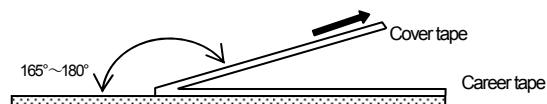


### 7-3.Direction (The direction shall be seen from the top cover tape side)

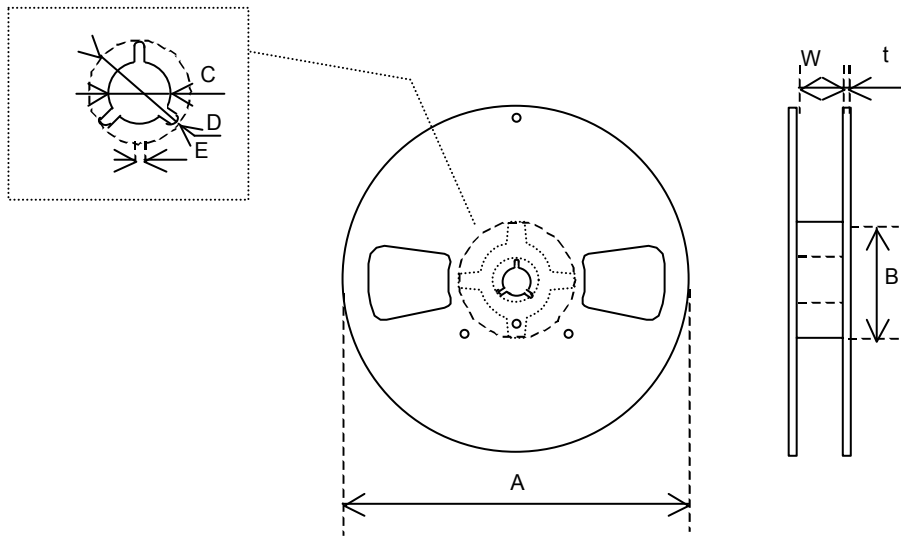


### 7-4.Specification

1. Material of the carrier tape shall be PS (ESD).
2. Material of the seal tape shall be polyester(ESD).
3. The seal tape shall not cover the sprocket holes. And not protrude from the carrier tape.
4. Tensile strength of the tape : 10N or more.
5. The R of the corner without designation is  $0.2R_{MAX}$ .
6. Disalignment between centers of the cavity and sprocket hole shall be  $0.05\text{mm}$  or less.
7. Cumulative pitch tolerance of "P<sub>0</sub>" shall be  $\pm 0.2\text{mm}$  at 10 pitches.
8. The number of lack is 0.1% of 1 reel total part number (the number of the table letters) or the part following whose 1 either is big. (But, the thing which lack of the continuance is not in.)
9. The marking on parts is not fixed its direction, its electrical characteristic is equal.
10. Peeling force of the seal tape: 0.1 to 1.0N.



7-5.Reel specifications



(Nonconductor type Reel)

In the case of  $\Phi 180$  Reel (3000 pcs max, every 1000 pcs)

|           | A                  | B               | C                 | D                 |
|-----------|--------------------|-----------------|-------------------|-------------------|
| Dimension | $\phi 180 +0/-1.5$ | $\phi 60 +1/-0$ | $\phi 13 \pm 0.2$ | $\phi 21 \pm 0.8$ |
| Symbol    | E                  | W               | t                 |                   |
| Dimension | $2.0 \pm 0.5$      | $9 \pm 1$       | $2.0 \pm 0.5$     |                   |

(Unit : mm)



8.6 Resistance to Moisture

Test condition

The quartz crystal unit shall be stored at a temperature of  $60 \pm 2^\circ\text{C}$  with relative humidity of 90% to 95% for 240 h. Then it shall be subjected to standard atmospheric conditions for 1h, after which measurements shall be made

8.7 Soldering condition

- 1.) Material of solder
  - Kind ... lead free solder paste
  - Melting point ...  $+220 \pm 5^\circ\text{C}$

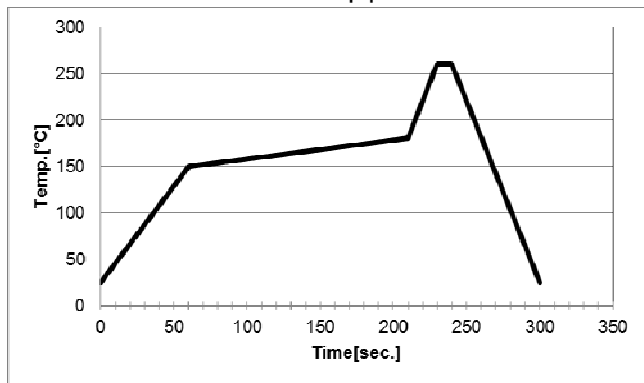
2.) Reflow temp.profile

|            | Temp [ $^\circ\text{C}$ ] | Time[sec]  |
|------------|---------------------------|------------|
| Preheating | +150 to +180              | 150 (typ.) |
| Peak       | $+260 \pm 5$              | 10 (max.)  |
| Total      | —                         | 300 (max.) |

Frequency shift :  $\pm 2\text{ppm}$

- 3.) Hand Soldering +350 $^\circ\text{C}$  3 sec MAX
- 4.) Reflow Times 2 times

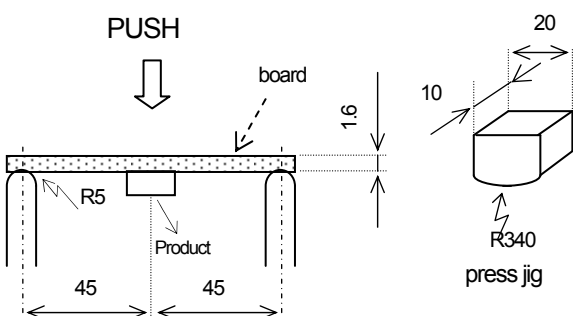
Reflow temp.profile



8.8 Intensity for bending in circuit board

Solder this product in center of the circuit board of 40mm $\times$ 100mm, and add the deflection of 3mm as the bottom figure.

Test board : t=1.6mm



UNIT : mm

## 9. Cautions for use

### (1) Automatic mounting machine use

Please use after affirmation that select the mounting machine model with a shock small if possible in the case of use of an automatic mounting machine, and it does not have breakage. There is a risk of a quartz crystal unit breakage occurring and not functioning normally by too much shock etc..

### (2) Conformity of a circuit

In case of use of an oscillation circuit, please insert in a quartz crystal unit in series resistance 5 time as many as the standard value of equivalent in-series resistance, and confirm oscillating. Please remove resistance which inserted after the notes above-mentioned examination in the quartz crystal unit in series, and use it.

### (3) After making the Quartz Crystal mount on a printed circuit board ,if it is required to divide the printed circuit board into another one, use it with attentive confirmation so that a warp caused by this dividing might not affect any damage. When designing a printed circuit board as well as handling the mounting As much as possible. The quartz crystal shall be passed through the reflow furnace. Then it shall be subjected to standard atmospheric conditions, after which cleaning shall be made.

## 10. Storage conditions

Storage at prolonged high temperature or low temperature and the storage by high humidity cause degradation of frequency accuracy, and degradation of soldering nature. Storage is performed at the temperature of 18-30 degrees C, and the humidity of 20-70 Percent in the state of packing, and a term is 6 months.

## 11. Manufacturing location

KYOCERA Crystal Device Philippines, Inc.

## 12. Quality Assurance

Kyocera Crystal Device Quality Assurance Division

## 13. Quality guarantee

When the failure by the responsibility of our company occurs clearly after delivery within 1 year, a substitute article etc. is appropriated gratuitously and this is guaranteed. However, when passing 1 year after delivery, there is a case where I am allowed to consider as onerous repair after both consultation.

## 14. Others

When any questions and opinions are in the written matter of these delivery specifications, I will ask connection of you from the our company issue day within 45 days. In a connection no case, a written matter is consented to it and employed within a term.

## Looking for pricing, stock, or lifecycle information?

Click below to explore more details on WIN SOURCE:

- ⊖ [View CX3225GB13560P0HPQCC on WIN SOURCE](#)
- ⊖ [AVX Corp/Kyocera Corp Information](#)

## Optimize Your Supply Chain with WIN SOURCE Solutions

- ✓ Global Sourcing Solution
- ✓ Obsolete Management
- ✓ Cost Control Management
- ✓ Shortage Management
- ✓ Alternative Solution
- ✓ Excess Inventory Management