



3.2x1.5mm for Consumer/ Mobile Equipment/ Automotive



AEC-Q200 RoHS Compliant

**Features**

- Small, Low Profile
- Ceramic Package
- Reflow Compatible

**Applications**

- Consumer/ Mobile Equipment
- Car navigation system
- Car audio system

**How to Order**

ST3215SB 32768 □□ □ P W □□  
① ② ③ ④ ⑤ ⑥ ⑦

① Series

② Frequency  
32.768kHz

③ Load Capacitance

④ Frequency Tolerance

|    |         |      |
|----|---------|------|
| H5 | 12.5 pF | Std. |
| E0 | 9.0 pF  |      |
| C0 | 7.0 pF  |      |
| B0 | 6.0 pF  |      |
| A0 | 5.0 pF  |      |
| Z0 | 4.0 pF  |      |

|   |                         |
|---|-------------------------|
| F | $\pm 10 \times 10^{-6}$ |
| H | $\pm 20 \times 10^{-6}$ |

⑤ Operating Temp. Range

⑥ Frequency Temp. Stability

|   |              |
|---|--------------|
| P | -40 to +85°C |
|---|--------------|

|   |                          |
|---|--------------------------|
| W | $\pm 200 \times 10^{-6}$ |
|---|--------------------------|

⑦ Individual Specification

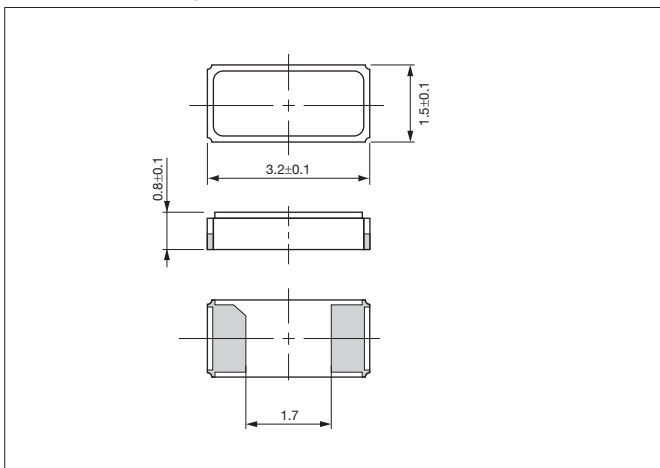
Packaging (Tape & Reel 3000/ 10000 pcs./ reel)

**Specifications**

| Item                  | Symbol           | Specification                 | Units                             | Remarks                                       |
|-----------------------|------------------|-------------------------------|-----------------------------------|---|
| Nominal Frequency     | f <sub>nom</sub> | 32.768                        | kHz                               |   |
| Frequency Tolerance   | f <sub>tol</sub> | $\pm 10, \pm 20$              | $\times 10^{-6}$                  | 25°C $\pm 3$ °C                               |
| Turnover Temperature  | T <sub>i</sub>   | +25 $\pm 5$                   | °C                                |   |
| Parabolic Coefficient | B                | -0.04 max.                    | $\times 10^{-6}/^\circ\text{C}^2$ |   |
| Motional Resistance   | R <sub>1</sub>   | 70 k max.                     | ohm                               |   |
| Motional Capacitance  | C <sub>1</sub>   | 3.7 typ.                      | fF                                |   |
| Shunt Capacitance     | C <sub>0</sub>   | 0.9 typ.                      | pF                                |   |
| Load Capacitance      | CL               | 4.0/ 5.0/ 6.0/ 7.0/ 9.0/ 12.5 | pF                                | Please contact us for other Load Capacitance. |
| Drive Level           | DL               | 0.1                           | $\mu\text{W}$                     | 0.5 max.                                      |
| Operating Temp. Range | T <sub>use</sub> | -40 to +85                    | °C                                |   |
| Storage Temp. Range   | T <sub>stg</sub> | -55 to +85                    | °C                                |   |
| Frequency Aging       | f <sub>age</sub> | $\pm 3$                       | $\times 10^{-6}$                  |   |

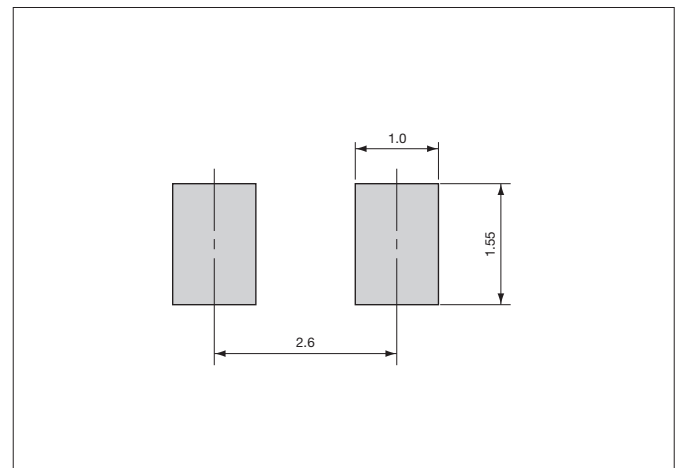
**Dimensions**

(Unit: mm)



**Recommended Land Pattern**

(Unit: mm)



# Mouser Electronics

Authorized Distributor

Click to View Pricing, Inventory, Delivery & Lifecycle Information:

## KYOCERA AVX:

[ST3215SB32768E0HPWZZ](#) [ST3215SB32768H5HPWZZ](#) [ST3215SB32768H5HPWAA](#) [ST3215SB32768E0HPWAA](#)  
[ST3215SB32768E0HPWBB](#) [ST3215SB32768C0HPWBB](#) [ST3215SB32768Z0HPWBB](#) [ST3215SB32768B0HPWB3](#)  
[ST3215SB32768E0HSZB1](#) [ST3215SB32768B0HSZA1](#) [ST3215SB32768C0HSZA1](#) [ST3215SB32768H5HSZA1](#)  
[ST3215SB32768H5WZZAP](#) [ST3215SB32768B0HPWBB](#) [ST3215SB32768H5FPWAA](#) [ST3215SB32768A0HPWBB](#)

## Looking for pricing, stock, or lifecycle information?

Click below to explore more details on WIN SOURCE:

- ⊖ [View ST3215SB32768B0HPWBB on WIN SOURCE](#)
- ⊖ [AVX Corp/Kyocera Corp Information](#)

## Optimize Your Supply Chain with WIN SOURCE Solutions

- ✓ Global Sourcing Solution
- ✓ Obsolete Management
- ✓ Cost Control Management
- ✓ Shortage Management
- ✓ Alternative Solution
- ✓ Excess Inventory Management