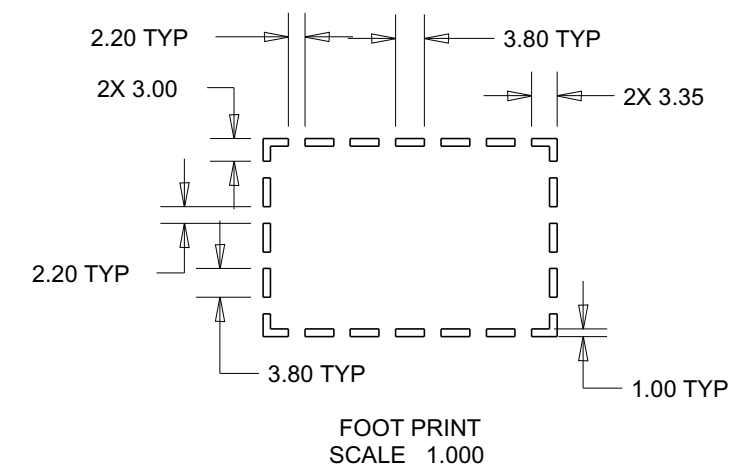
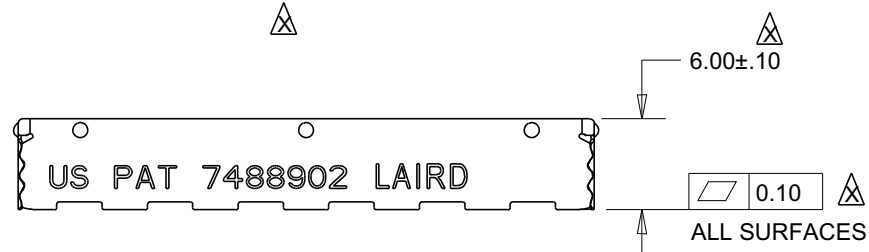
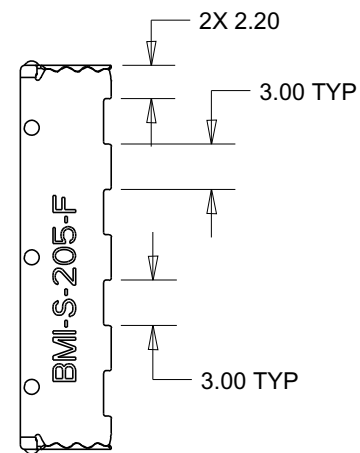
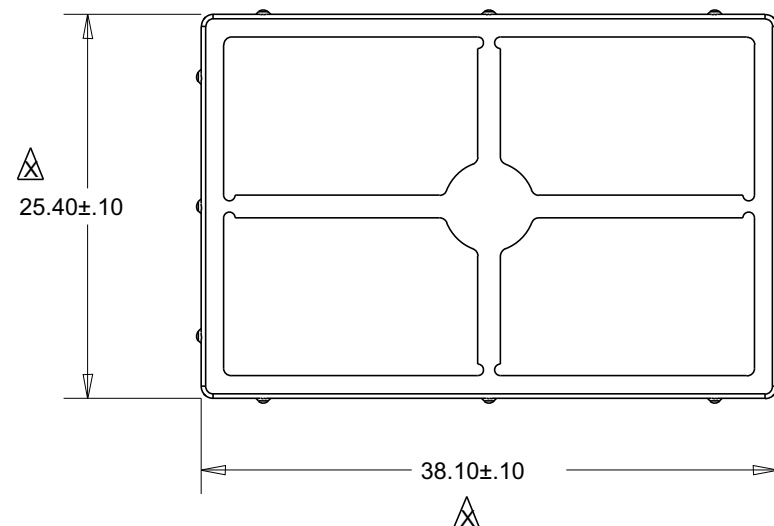
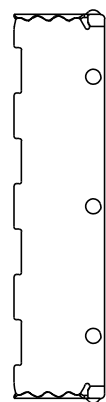
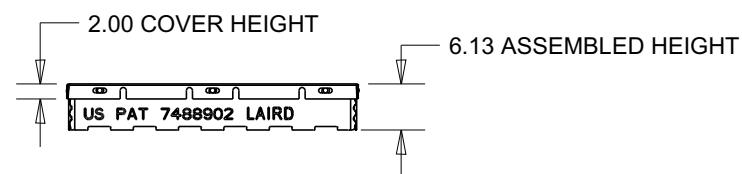
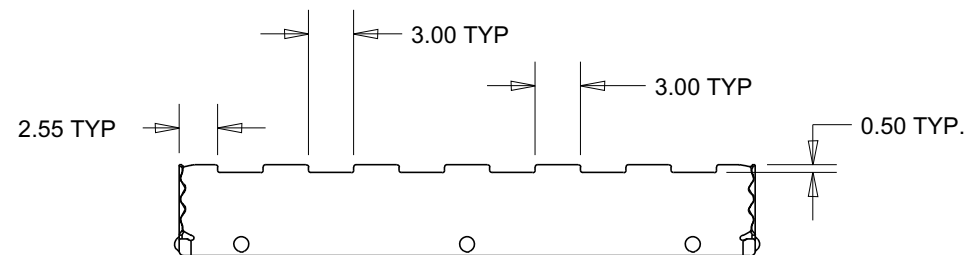
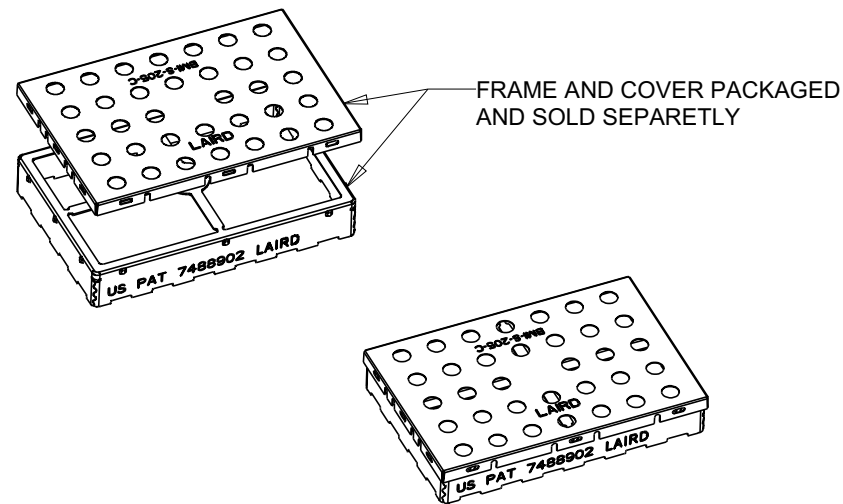




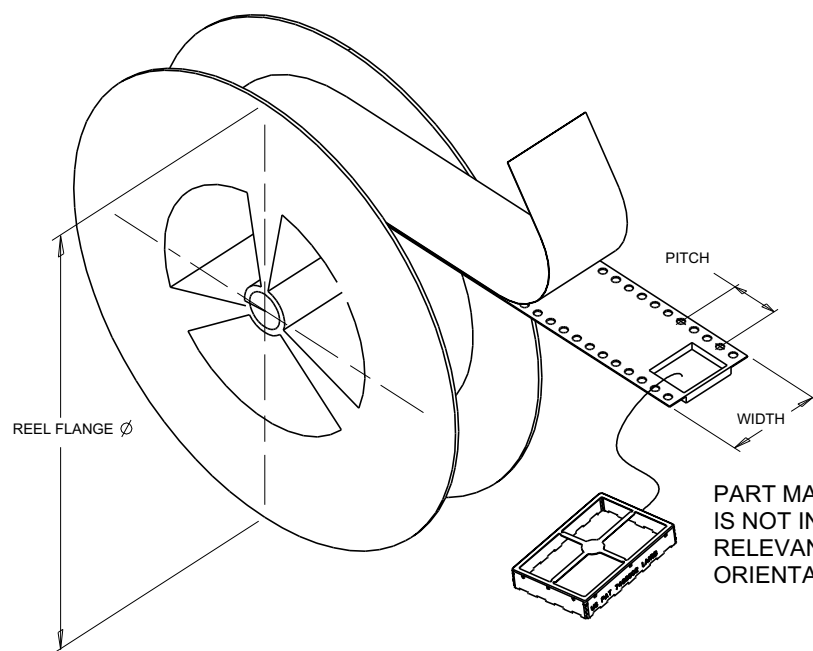
THE DATASHEET OF BMI-S-205-F



FUNCTION	PART NUMBER	MATERIAL / FINISH	PACKAGING			
			TAPE AND REEL			
FENCE	BMI-S-205-F	.20MM 1008/1010 PRE-PLATED COLD ROLLED STEEL 1/2 HARD 1.25-5.00 MICRONS 100% MATTE TIN	REEL DIAMETER	TAPE WIDTH	PITCH	QUANTITY
COVER	BMI-S-205-C	.13MM 1008/1010 PRE-PLATED COLD ROLLED STEEL 1/2 HARD 1.25-5.00 MICRONS 100% MATTE TIN	381MM	56MM	44MM	250
			BULK PACK			



- NOTES:
- OTHER MATERIAL OPTIONS MAY BE AVAILABLE, CONSULT SALES.
 - OTHER PACKAGING OPTIONS MAY BE AVAILABLE, CONSULT SALES.



PART MARKING ON SIDES IS NOT INTENDED TO BE RELEVANT TO PART ORIENTATION IN CARRIER TAPE.

CRITICAL DIMENSIONS ARE DESIGNATED BY

US PATENT 7488902

	PART DESCRIPTION: BOARD LEVEL SHIELD		PART NUMBER: BMI-S-205-SALES	
	CUSTOMER: LAIRD CATALOG		MODELED BY: TW	DATE: 05/11/12
3RD ANGLE PROJECTION	DESIGNED IN PRO/ENGINEER	PROGRAM NAME: STANDARDS	APPROVED BY: X	DATE: XX/XX/XX
SCALE: 2.000	SHEET 1 OF 1	CUSTOMER PART NUMBER: N/A	REV: -	SALES
<small>INFORMATION CONTAINED IN THIS DOCUMENT IS CONFIDENTIAL AND PROPRIETARY TO LAIRD TECHNOLOGIES. IT MAY NOT BE DISCLOSED TO ANYONE WITHOUT WRITTEN AUTHORIZATION FROM LAIRD TECHNOLOGIES.</small>				

Looking for pricing, stock, or lifecycle information?

Click below to explore more details on WIN SOURCE:

- ⊖ [View BMI-S-205-F on WIN SOURCE](#)
- ⊖ [Laird Technologies EMI Information](#)

Optimize Your Supply Chain with WIN SOURCE Solutions

- ✓ Global Sourcing Solution
- ✓ Obsolete Management
- ✓ Cost Control Management
- ✓ Shortage Management
- ✓ Alternative Solution
- ✓ Excess Inventory Management