

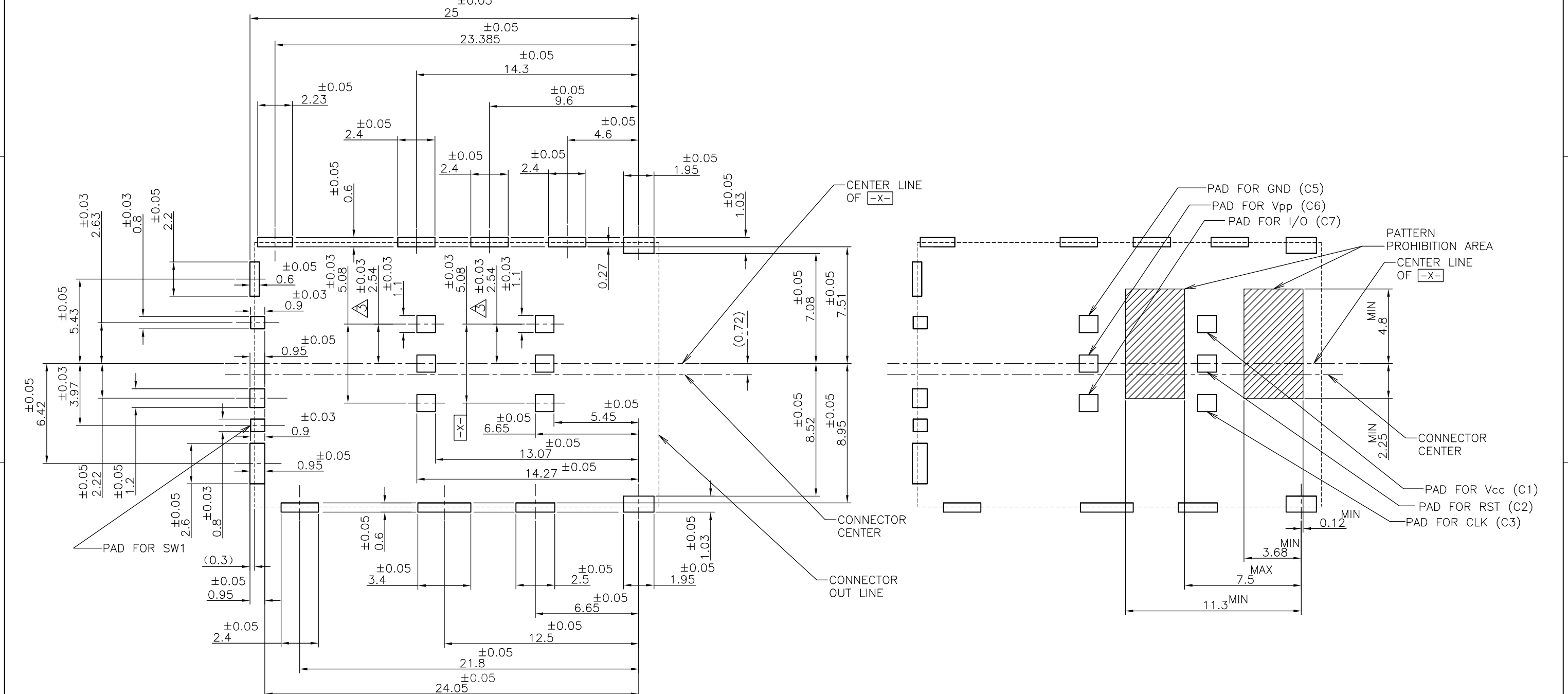


THE DATASHEET OF
2174918-1



THIS DRAWING IS UNPUBLISHED. RELEASED FOR PUBLICATION JAN ,2011.
 © COPYRIGHT 2011 By Tyco Electronics Japan G.K. ALL RIGHTS RESERVED.

LOC	DIST	REVISIONS			
P	LTR	DESCRIPTION	DATE	DWN	APVD
J	/	SEE SHEET 1	-	-	-



PCB LAYOUT(REFERENCE)
(VIEWED FROM CONNECTOR MOUNT SIDE)

THIS DRAWING IS A CONTROLLED DOCUMENT.		DWN	-		
DIMENSIONS: MM		CHK	-		
TOLERANCES UNLESS OTHERWISE SPECIFIED:		APVD	-		
0 PLC ± -		PRODUCT SPEC	-		
1 PLC ± -		APPLICATION SPEC	-		
2 PLC ± -		WEIGHT	-		
3 PLC ± -		TE Connectivity			
4 PLC ± -		SIM CONNECTOR PUSH-PUSH SUPER LOWPROFILE TYPE			
ANGLES ± -		SIZE	CAGE CODE	DRAWING NO	RESTRICTED TO
FINISH ± -		A3 00779		C-2174918	
MATERIAL		CUSTOMER DRAWING		SCALE 4:1	SHEET 2 OF 4
				REV A1	

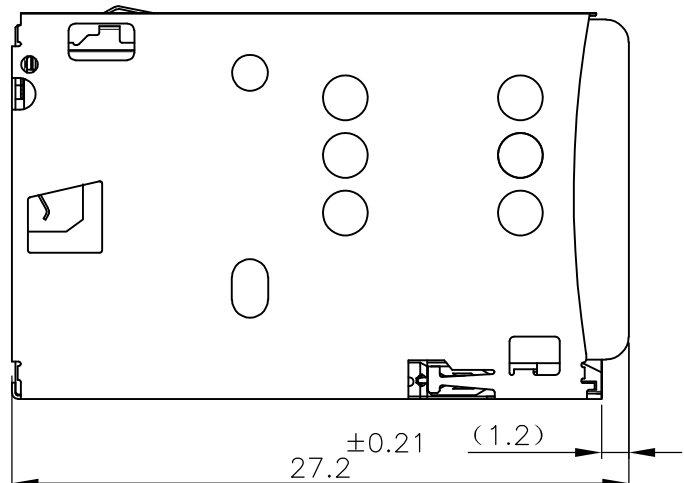
THIS DRAWING IS UNPUBLISHED.

RELEASED FOR PUBLICATION JAN , 2011.

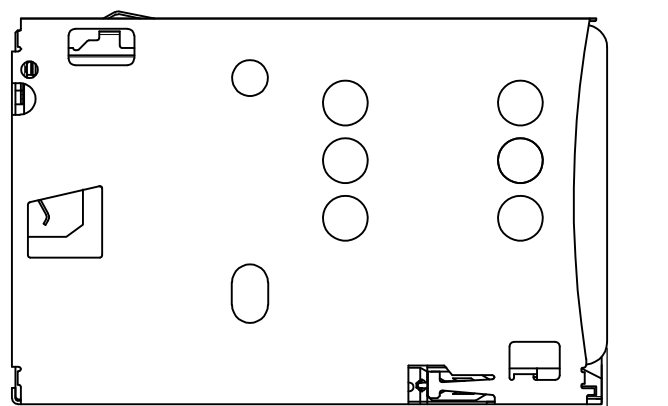
© COPYRIGHT 2011 By Tyco Electronics Japan G.K

ALL RIGHTS RESERVED.

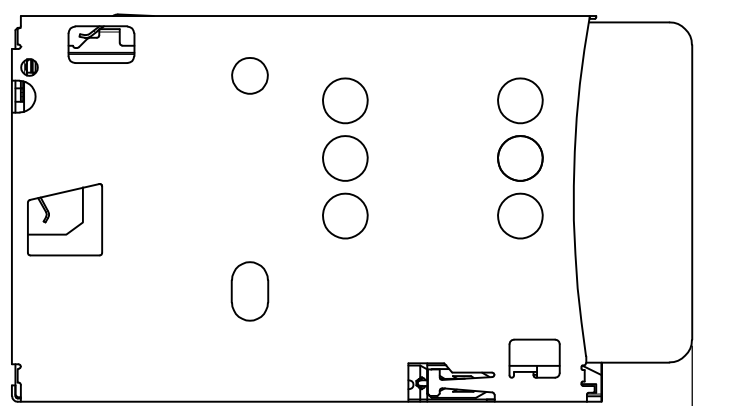
LOC	DIST	REVISIONS			
P	LTR	DESCRIPTION	DATE	DWN	APVD
J	/	SEE SHEET 1	-	-	-



MATING

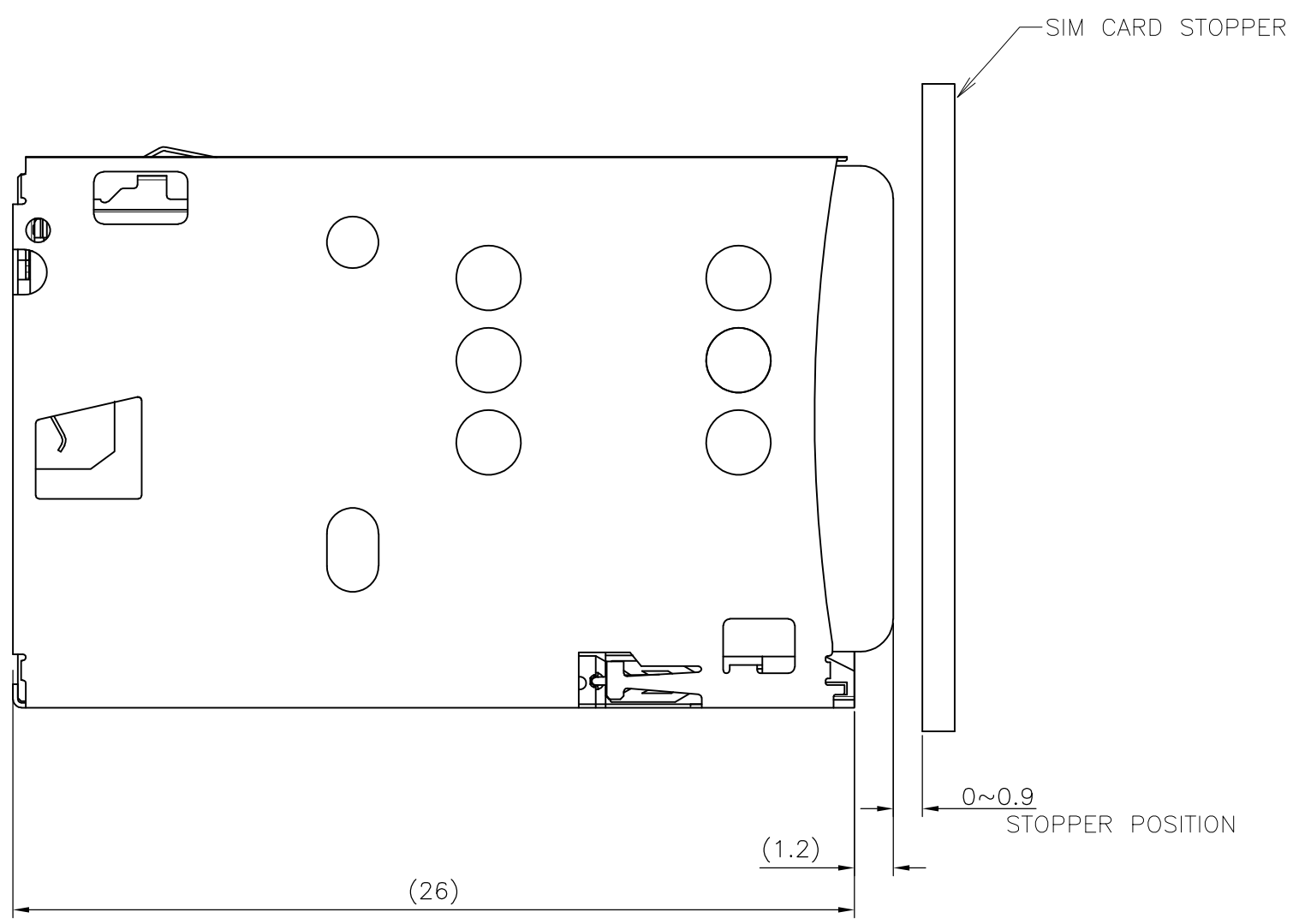


PUSH (0.25)



EJECT (4)

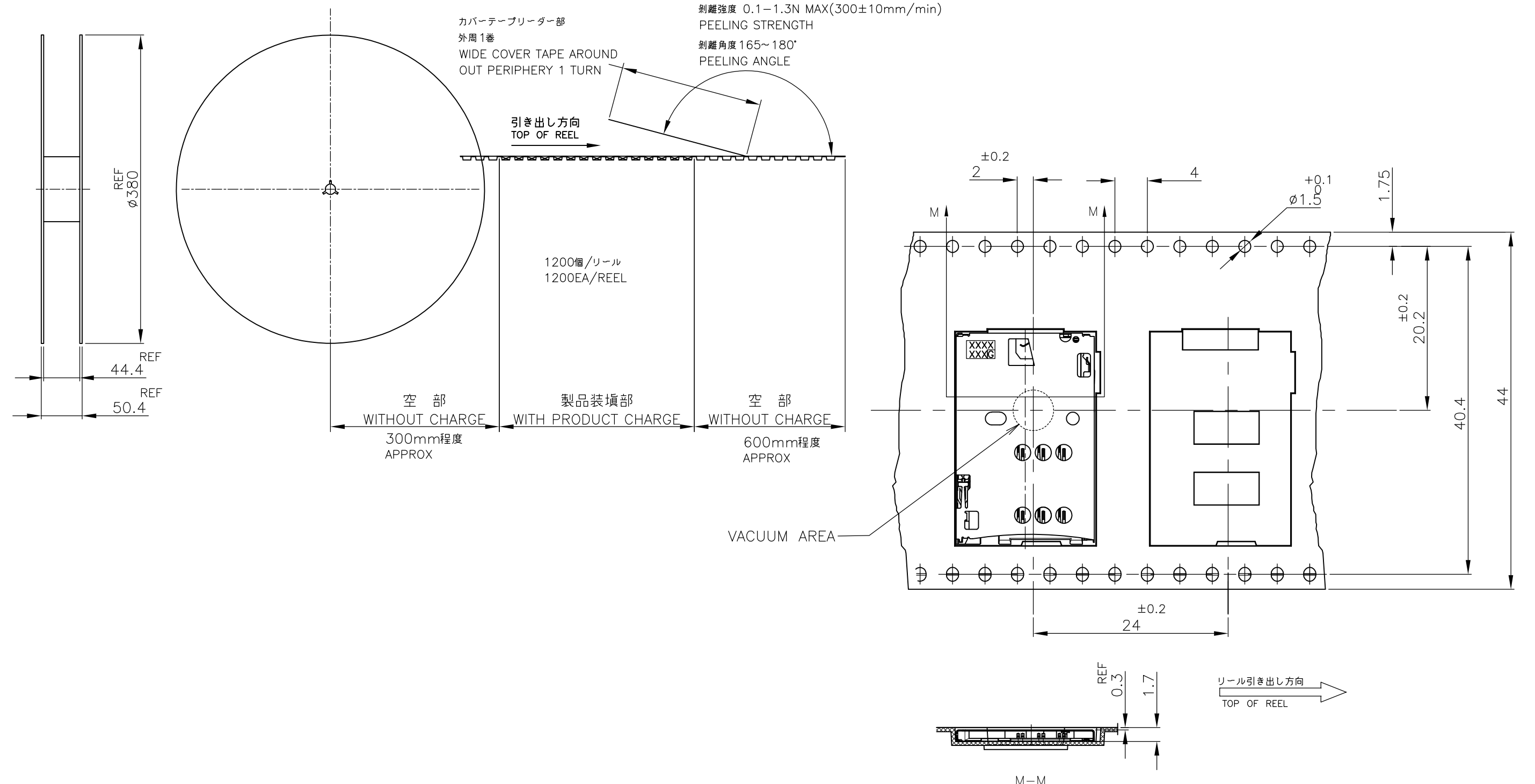
THERE IS NOT SIM CARD LOCK IN THIS CONNECTOR
PLEASE HOLD THE CARD EDGE AS SHOWN IN THE FIGURE BELOW AT TIME OF USE.



THIS DRAWING IS A CONTROLLED DOCUMENT.		DWN	-			TE Connectivity													
DIMENSIONS: MM		CHK	-																
TOLERANCES UNLESS OTHERWISE SPECIFIED:		APVD	-																
<table border="0"> <tr><td>0 PLC</td><td>± -</td></tr> <tr><td>1 PLC</td><td>± -</td></tr> <tr><td>2 PLC</td><td>± -</td></tr> <tr><td>3 PLC</td><td>± -</td></tr> <tr><td>4 PLC</td><td>± -</td></tr> <tr><td>ANGLES</td><td>± -</td></tr> <tr><td>FINISH</td><td></td></tr> </table>		0 PLC	± -	1 PLC	± -		2 PLC	± -	3 PLC	± -	4 PLC	± -	ANGLES	± -	FINISH		PRODUCT SPEC	-	
0 PLC	± -																		
1 PLC	± -																		
2 PLC	± -																		
3 PLC	± -																		
4 PLC	± -																		
ANGLES	± -																		
FINISH																			
MATERIAL		APPLICATION SPEC	-			NAME													
		WEIGHT	-			SIM CONNECTOR PUSH-PUSH SUPER LOWPROFILE TYPE													
		CUSTOMER DRAWING		SIZE	A3	RESTRICTED TO													
				CAGE CODE	00779														
				DRAWING NO	C-2174918														
				SCALE	4:1														
				SHEET	3 OF 4														
				REV	A1														

THIS DRAWING IS UNPUBLISHED. RELEASED FOR PUBLICATION JAN , 2011.
 © COPYRIGHT 2011 By Tyco Electronics Japan G.K. ALL RIGHTS RESERVED.

LOC	DIST	REVISIONS			
P	LTR	DESCRIPTION	DATE	DWN	APVD
J	/	SEE SHEET 1	-	-	-



THIS DRAWING IS A CONTROLLED DOCUMENT.		DWN	-	STE TE Connectivity	
DIMENSIONS: MM		CHK	-		
TOLERANCES UNLESS OTHERWISE SPECIFIED:		APVD	-	NAME	
0 PLC	± -	PRODUCT SPEC	-	SIM CONNECTOR PUSH-PUSH SUPER LOWPROFILE TYPE	
1 PLC	± -	APPLICATION SPEC	-	SIZE	A3
2 PLC	± -	WEIGHT	-	CAGE CODE	00779
3 PLC	± -	CUSTOMER DRAWING		DRAWING NO	C-2174918
4 PLC	± -	SCALE		RESTRICTED TO	-
ANGLES	± -	NTS		SHEET	4 OF 4
MATERIAL	FINISH	SCALE		REV	A1

Looking for pricing, stock, or lifecycle information?

Click below to explore more details on WIN SOURCE:

 [View 2174918-1](#) on WIN SOURCE

 [TE Connectivity](#) Information

Optimize Your Supply Chain with WIN SOURCE Solutions

-  Global Sourcing Solution
-  Obsolete Management
-  Cost Control Management
-  Shortage Management
-  Alternative Solution
-  Excess Inventory Management