

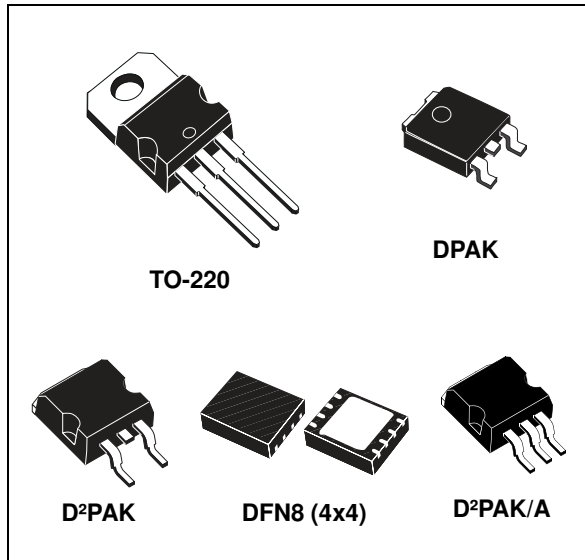


**THE DATASHEET OF  
LD1086V33-DG**



**1.5 A adjustable and fixed low drop positive voltage regulator**

Datasheet - production data

**Description**

The LD1086 is a low drop voltage regulator capable of providing up to 1.5 A of output current. Dropout is guaranteed at a maximum of 1.2 V at the maximum output current, decreasing at lower loads. The LD1086 is pin-to-pin compatible with older 3-terminal adjustable regulators, but has better performance in terms of drop and output tolerance. Unlike PNP regulators, where a part of the output current is wasted as quiescent current, the LD1086 quiescent current flows into the load, increasing efficiency. Only a 10  $\mu$ F (minimum) capacitor is needed for stability. The device is available in a TO-220, D<sup>2</sup>PAK, D<sup>2</sup>PAK/A, DPAK or DFN8 (4x4) package. On-chip trimming allows the regulator to reach a very tight output voltage tolerance; within  $\pm 1\%$  at 25 °C.

**Features**

- Typical dropout: 1.3 V at 1.5 A
- Three-terminal adjustable or fixed output voltage: 1.8 V, 3.3 V, 5 V
- Output current guaranteed up to 1.5 A
- Output tolerance:  $\pm 1\%$  at 25 °C and  $\pm 2\%$  in full temperature range
- Internal power and thermal limit
- Wide operating temperature range - 40 °C to 125 °C
- Package available: TO-220, D<sup>2</sup>PAK, D<sup>2</sup>PAK/A, DPAK and DFN8 (4x4)
- Pinout compatibility with standard adjustable voltage regulators

# Contents

|          |   |           |
|----------|---|-----------|
| <b>1</b> | <b>Diagram</b> .....  | <b>5</b>  |
| <b>2</b> | <b>Pin configuration</b> .....                                      | <b>6</b>  |
| <b>3</b> | <b>Maximum ratings</b> .....  | <b>7</b>  |
| <b>4</b> | <b>Schematic application</b> .....                                  | <b>8</b>  |
| <b>5</b> | <b>Electrical characteristics</b> .....                             | <b>9</b>  |
| <b>6</b> | <b>Typical application</b> .....                                    | <b>16</b> |
| <b>7</b> | <b>Package information</b> .....                                    | <b>20</b> |
| 7.1      | TO-220 (STD-ST dual gauge) type A package information .....         | 21        |
| 7.2      | DPAK package information .....                                      | 23        |
| 7.3      | D <sup>2</sup> PAK (SMD 2L STD-ST) type A package information ..... | 26        |
| 7.4      | D <sup>2</sup> PAK (SMD 3L STD-ST) type A package information ..... | 28        |
| 7.5      | DPAK and D <sup>2</sup> PAK packing information .....               | 31        |
| 7.6      | DFN8 (4x4) package information .....                                | 34        |
| 7.7      | DFN8 (4x4) packing information .....                                | 36        |
| <b>8</b> | <b>Ordering information</b> .....                                   | <b>38</b> |
| <b>9</b> | <b>Revision history</b> .....                                       | <b>39</b> |

## List of tables

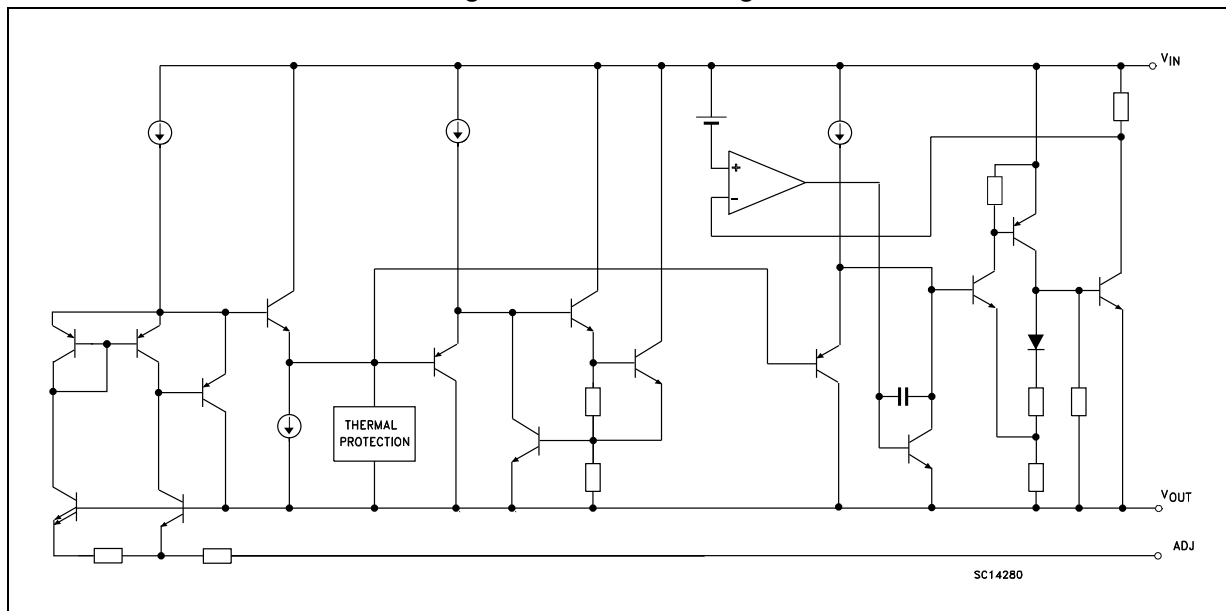
|           |   |    |
|-----------|---|----|
| Table 1.  | Absolute maximum ratings . . . . .  | 7  |
| Table 2.  | Thermal data . . . . .  | 7  |
| Table 3.  | Electrical characteristics of LD1086#18 . . . . .                                   | 9  |
| Table 4.  | Electrical characteristics of LD1086#25 . . . . .                                   | 10 |
| Table 5.  | Electrical characteristics of LD1086#33 . . . . .                                   | 11 |
| Table 6.  | Electrical characteristics of LD1086#50 . . . . .                                   | 12 |
| Table 7.  | Electrical characteristics of LD1086B# . . . . .                                    | 13 |
| Table 8.  | Electrical characteristics of LD1086# . . . . .                                     | 14 |
| Table 9.  | Electrical characteristics of LD1086DTTRY and LD1086VY (Automotive grade) . . . . . | 15 |
| Table 10. | TO-220 (STD-ST dual gauge) type A mechanical data . . . . .                         | 22 |
| Table 11. | DPAK mechanical data . . . . .  | 24 |
| Table 12. | D <sup>2</sup> PAK (SMD 2L STD-ST) type A mechanical data . . . . .                 | 27 |
| Table 13. | D <sup>2</sup> PAK (SMD 3L STD-ST) type A mechanical data . . . . .                 | 29 |
| Table 14. | DPAK tape and reel mechanical data . . . . .  | 32 |
| Table 15. | D <sup>2</sup> PAK tape and reel mechanical data . . . . .                          | 33 |
| Table 16. | DFN8 (4x4) mechanical data . . . . .  | 35 |
| Table 17. | DFN8 (4x4) reel mechanical data . . . . .   | 36 |
| Table 18. | Order code . . . . .  | 38 |
| Table 19. | Document revision history . . . . .   | 39 |

## List of figures

|            |  |    |
|------------|--|----|
| Figure 1.  | Schematic diagram . . . . .  | 5  |
| Figure 2.  | Pin connections (top view) . . . . .                                       | 6  |
| Figure 3.  | Application circuit . . . . .  | 8  |
| Figure 4.  | Output voltage vs. temp. ( $V_I = 5\text{ V}$ ) . . . . .                  | 16 |
| Figure 5.  | Output voltage vs. temp. ( $V_I = 4.25\text{ V}$ ) . . . . .               | 16 |
| Figure 6.  | Short-circuit current vs. dropout voltage . . . . .                        | 16 |
| Figure 7.  | Line regulation vs. temperature . . . . .                                  | 16 |
| Figure 8.  | Load regulation vs. temperature . . . . .                                  | 16 |
| Figure 9.  | Dropout voltage vs. temperature . . . . .                                  | 16 |
| Figure 10. | Dropout voltage vs. output current . . . . .                               | 17 |
| Figure 11. | Adjust pin current vs. input voltage . . . . .                             | 17 |
| Figure 12. | Adjust pin current vs. input voltage . . . . .                             | 17 |
| Figure 13. | Adjust pin current vs. output current . . . . .                            | 17 |
| Figure 14. | Quiescent current vs. output current . . . . .                             | 17 |
| Figure 15. | Quiescent current vs. input voltage . . . . .                              | 17 |
| Figure 16. | Supply voltage rejection vs. output current . . . . .                      | 18 |
| Figure 17. | Supply voltage rejection vs. frequency . . . . .                           | 18 |
| Figure 18. | Supply voltage rejection vs. temperature . . . . .                         | 18 |
| Figure 19. | Minimum load current vs. temperature . . . . .                             | 18 |
| Figure 20. | Stability for adjustable . . . . .   | 18 |
| Figure 21. | Stability for 2.85 V . . . . .   | 18 |
| Figure 22. | Line transient ( $V_I = 12\text{ to }13\text{ V}$ ) . . . . .              | 19 |
| Figure 23. | Line transient ( $I_O = 200\text{ mA}$ ) . . . . .                         | 19 |
| Figure 24. | Line transient ( $C_{ADJ} = 1\text{ }\mu\text{F}$ ) . . . . .              | 19 |
| Figure 25. | Load transient . . . . .   | 19 |
| Figure 26. | Load transient ( $T_{rise} = T_{fall} = 10\text{ }\mu\text{s}$ ) . . . . . | 19 |
| Figure 27. | Thermal protection . . . . .   | 19 |
| Figure 28. | TO-220 (STD-ST dual gauge) type A package outline . . . . .                | 21 |
| Figure 29. | DPAK package outline . . . . .   | 23 |
| Figure 30. | DPAK recommended footprint (dimension are in mm) . . . . .                 | 25 |
| Figure 31. | D <sup>2</sup> PAK (SMD 2L STD-ST) type A package outline . . . . .        | 26 |
| Figure 32. | D <sup>2</sup> PAK (SMD 3L STD-ST) type A outline . . . . .                | 28 |
| Figure 33. | D <sup>2</sup> PAK (SMD 3L) recommended footprint . . . . .                | 30 |
| Figure 34. | DPAK and D <sup>2</sup> PAK tape outline . . . . .                         | 31 |
| Figure 35. | DPAK and D <sup>2</sup> PAK reel outline . . . . .                         | 32 |
| Figure 36. | DFN8 (4x4) package outline . . . . .                                       | 34 |
| Figure 37. | DFN8 (4x4) recommended footprint . . . . .                                 | 35 |
| Figure 38. | DFN8 (4x4) tape outline (dimension are in mm) . . . . .                    | 36 |
| Figure 39. | DFN8 (4x4) reel outline . . . . .  | 37 |

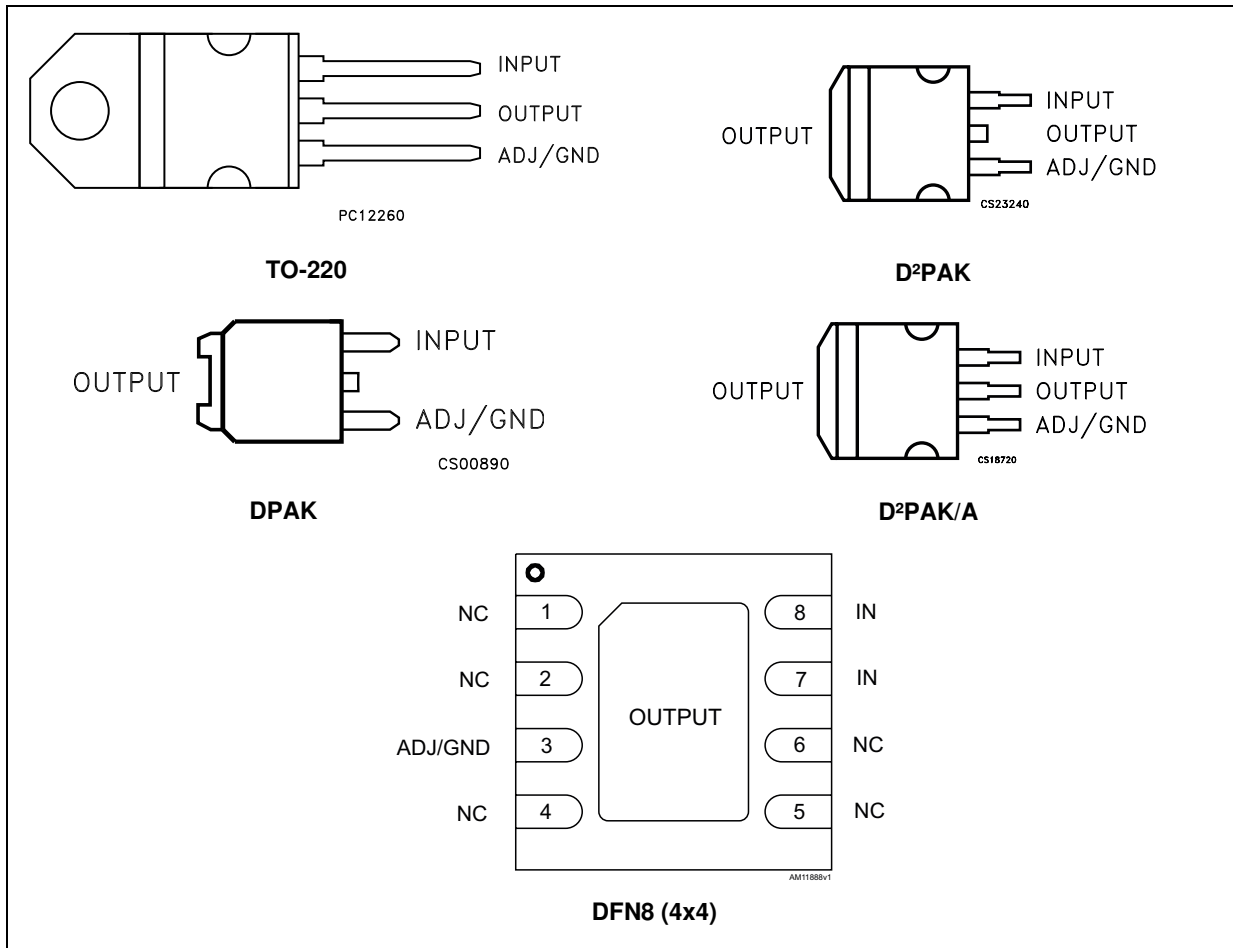
# 1 Diagram

Figure 1. Schematic diagram



## 2 Pin configuration

Figure 2. Pin connections (top view)



Note: The TAB is physically connected to the output (this is valid for the TO-220 package too).

### 3 Maximum ratings

**Table 1. Absolute maximum ratings**

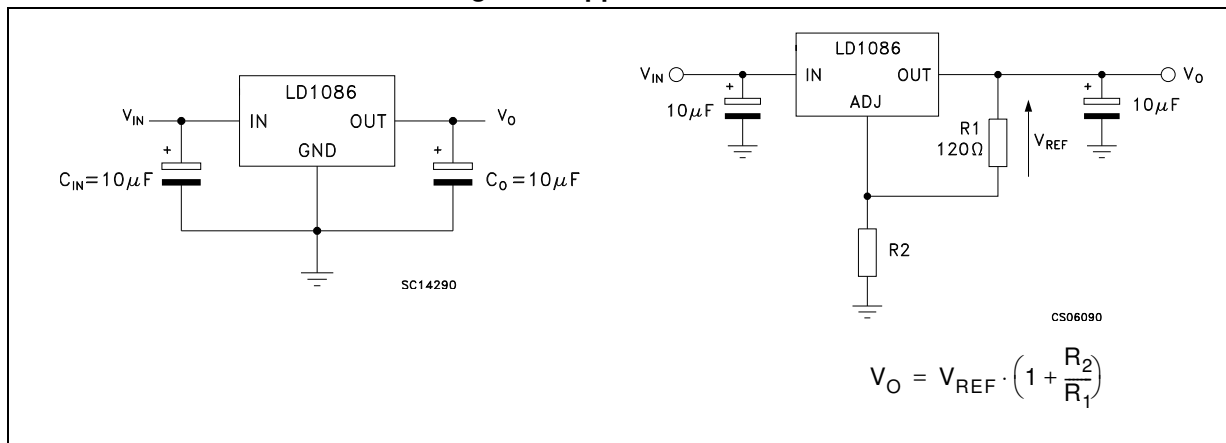
| Symbol    | Parameter                  | Value              | Unit |
|-----------|----------------------------|--------------------|------|
| $V_I$     | DC input voltage           | 30                 | V    |
| $I_O$     | Output current             | Internally Limited | mA   |
| $P_D$     | Power dissipation          | Internally Limited | mW   |
| $T_{STG}$ | Storage temperature range  | -55 to +150        | °C   |
| $T_J$     | Junction temperature range | -40 to +150        | °C   |

*Note:* Absolute maximum ratings are those values beyond which damage to the device may occur. Functional operation under these conditions is not implied.

**Table 2. Thermal data**

| Symbol     | Parameter                           | TO-220 | D <sup>2</sup> PAK<br>D <sup>2</sup> PAK/A | DPAK | DFN8 (4x4) | Unit |
|------------|-------------------------------------|--------|--|------|------------|------|
| $R_{thJC}$ | Thermal resistance junction-case    | 5      | 3  | 8    | 1.5        | °C/W |
| $R_{thJA}$ | Thermal resistance junction-ambient | 50     | 62.5                                       | 100  | 33         | °C/W |

## 4 Schematic application

**Figure 3. Application circuit**

## 5 Electrical characteristics

$V_I = 4.8 \text{ V}$ ,  $C_I = C_O = 10 \mu\text{F}$ ,  $T_A = -40 \text{ to } 125 \text{ }^\circ\text{C}$ , unless otherwise specified.

**Table 3. Electrical characteristics of LD1086#18**

| Symbol       | Parameter                                 | Test conditions  | Min.  | Typ.  | Max.  | Unit |
|--------------|---|--|-------|-------|-------|------|
| $V_O$        | Output voltage <sup>(1)</sup>             | $I_O = 0 \text{ mA}$ , $T_J = 25 \text{ }^\circ\text{C}$   | 1.782 | 1.8   | 1.818 | V    |
|              |   | $I_O = 0 \text{ to } 1.5 \text{ A}$ , $V_I = 3.4 \text{ to } 30 \text{ V}$                           | 1.764 | 1.8   | 1.836 | V    |
| $\Delta V_O$ | Line regulation                           | $I_O = 0 \text{ mA}$ , $V_I = 3.4 \text{ to } 18 \text{ V}$ ,<br>$T_J = 25 \text{ }^\circ\text{C}$   |       | 0.2   | 4     | mV   |
|              |   | $I_O = 0 \text{ mA}$ , $V_I = 3.4 \text{ to } 15 \text{ V}$  |       | 0.4   | 4     | mV   |
| $\Delta V_O$ | Load regulation                           | $I_O = 0 \text{ to } 1.5 \text{ A}$ , $T_J = 25 \text{ }^\circ\text{C}$                              |       | 0.5   | 8     | mV   |
|              |   | $I_O = 0 \text{ to } 1.5 \text{ A}$  |       | 1     | 16    | mV   |
| $V_d$        | Dropout voltage                           | $I_O = 1.5 \text{ A}$  |       | 1.3   | 1.5   | V    |
| $I_q$        | Quiescent current                         | $V_I \leq 30 \text{ V}$  |       | 5     | 10    | mA   |
| $I_{sc}$     | Short-circuit current                     | $V_I - V_O = 5 \text{ V}$  | 1.5   | 2     |       | A    |
|              |   | $V_I - V_O = 25 \text{ V}$   | 0.05  | 0.02  |       | A    |
|              | Thermal regulation                        | $T_A = 25 \text{ }^\circ\text{C}$ , 30 ms pulse  |       | 0.01  | 0.04  | %/W  |
| SVR          | Supply voltage rejection                  | $f = 120 \text{ Hz}$ , $C_O = 25 \mu\text{F}$ , $I_O = 1.5 \text{ A}$<br>$V_I = 6.8 \pm 3 \text{ V}$ | 60    | 82    |       | dB   |
| eN           | RMS output noise voltage<br>(% of $V_O$ ) | $T_A = 25 \text{ }^\circ\text{C}$ , $f = 10 \text{ Hz to } 10 \text{ kHz}$                           |       | 0.003 |       | %    |
| S            | Temperature stability                     |  |       | 0.5   |       | %    |
| S            | Long term stability                       | $T_A = 125 \text{ }^\circ\text{C}$ , 1000 Hrs  |       | 0.5   |       | %    |

1. See short-circuit current curve for available output current at fixed dropout.

$V_I = 5.5\text{ V}$ ,  $C_I = C_O = 10\ \mu\text{F}$ ,  $T_A = -40\text{ to }125\text{ }^\circ\text{C}$ , unless otherwise specified.

**Table 4. Electrical characteristics of LD1086#25**

| Symbol       | Parameter                                 | Test conditions  | Min.  | Typ.  | Max.  | Unit |
|--------------|---|--|-------|-------|-------|------|
| $V_O$        | Output voltage <sup>(1)</sup>             | $I_O = 0\text{ mA}$ , $T_J = 25\text{ }^\circ\text{C}$   | 2.475 | 2.5   | 2.525 | V    |
|              |   | $I_O = 0\text{ to }1.5\text{ A}$ , $V_I = 4.1\text{ to }30\text{ V}$                               | 2.45  | 2.5   | 2.55  | V    |
| $\Delta V_O$ | Line regulation                           | $I_O = 0\text{ mA}$ , $V_I = 4.1\text{ to }18\text{ V}$ ,<br>$T_J = 25\text{ }^\circ\text{C}$      |       | 0.2   | 4     | mV   |
|              |   | $I_O = 0\text{ mA}$ , $V_I = 4.1\text{ to }18\text{ V}$  |       | 0.4   | 4     | mV   |
| $\Delta V_O$ | Load regulation                           | $I_O = 0\text{ to }1.5\text{ A}$ , $T_J = 25\text{ }^\circ\text{C}$                                |       | 0.5   | 8     | mV   |
|              |   | $I_O = 0\text{ to }1.5\text{ A}$   |       | 1     | 16    | mV   |
| $V_d$        | Dropout voltage                           | $I_O = 1.5\text{ A}$   |       | 1.3   | 1.5   | V    |
| $I_q$        | Quiescent current                         | $V_I \leq 30\text{ V}$   |       | 5     | 10    | mA   |
| $I_{sc}$     | Short-circuit current                     | $V_I - V_O = 5\text{ V}$   | 1.5   | 2     |       | A    |
|              |   | $V_I - V_O = 25\text{ V}$  | 0.05  | 0.2   |       | A    |
|              | Thermal regulation                        | $T_A = 25\text{ }^\circ\text{C}$ , 30 ms pulse   |       | 0.008 | 0.04  | %/W  |
| SVR          | Supply voltage rejection                  | $f = 120\text{ Hz}$ , $C_O = 25\ \mu\text{F}$ , $I_O = 1.5\text{ A}$<br>$V_I = 7.5 \pm 3\text{ V}$ | 60    | 81    |       | dB   |
| eN           | RMS output noise voltage<br>(% of $V_O$ ) | $T_A = 25\text{ }^\circ\text{C}$ , $f = 10\text{ Hz to }10\text{ kHz}$                             |       | 0.003 |       | %    |
| S            | Temperature stability                     |  |       | 0.5   |       | %    |
| S            | Long term stability                       | $T_A = 125\text{ }^\circ\text{C}$ , 1000 Hrs   |       | 0.5   |       | %    |

1. See short-circuit current curve for available output current at fixed dropout.

$V_I = 6.3 \text{ V}$ ,  $C_I = C_O = 10 \text{ } \mu\text{F}$ ,  $T_A = -40 \text{ to } 125 \text{ } ^\circ\text{C}$ , unless otherwise specified.

**Table 5. Electrical characteristics of LD1086#33**

| Symbol       | Parameter                                 | Test conditions   | Min.  | Typ.  | Max.  | Unit |
|--------------|---|---|-------|-------|-------|------|
| $V_O$        | Output voltage <sup>(1)</sup>             | $I_O = 0 \text{ mA}$ , $T_J = 25 \text{ } ^\circ\text{C}$   | 3.267 | 3.3   | 3.333 | V    |
|              |   | $I_O = 0 \text{ to } 1.5 \text{ A}$ , $V_I = 4.9 \text{ to } 30 \text{ V}$                                    | 3.234 | 3.3   | 3.366 | V    |
| $\Delta V_O$ | Line regulation                           | $I_O = 0 \text{ mA}$ , $V_I = 4.9 \text{ to } 18 \text{ V}$ ,<br>$T_J = 25 \text{ } ^\circ\text{C}$           |       | 0.5   | 6     | mV   |
|              |   | $I_O = 0 \text{ mA}$ , $V_I = 4.9 \text{ to } 18 \text{ V}$   |       | 1     | 6     | mV   |
| $\Delta V_O$ | Load regulation                           | $I_O = 0 \text{ to } 1.5 \text{ A}$ , $T_J = 25 \text{ } ^\circ\text{C}$                                      |       | 1     | 10    | mV   |
|              |   | $I_O = 0 \text{ to } 1.5 \text{ A}$   |       | 7     | 25    | mV   |
| $V_d$        | Dropout voltage                           | $I_O = 1.5 \text{ A}$   |       | 1.3   | 1.5   | V    |
| $I_q$        | Quiescent current                         | $V_I \leq 30 \text{ V}$   |       | 5     | 10    | mA   |
| $I_{sc}$     | Short-circuit current                     | $V_I - V_O = 5 \text{ V}$   | 1.5   | 2     |       | A    |
|              |   | $V_I - V_O = 25 \text{ V}$  | 0.05  | 0.2   |       | A    |
|              | Thermal regulation                        | $T_A = 25 \text{ } ^\circ\text{C}$ , 30 ms pulse  |       | 0.008 | 0.04  | %/W  |
| SVR          | Supply voltage rejection                  | $f = 120 \text{ Hz}$ , $C_O = 25 \text{ } \mu\text{F}$ , $I_O = 1.5 \text{ A}$<br>$V_I = 8.3 \pm 3 \text{ V}$ | 60    | 79    |       | dB   |
| eN           | RMS output noise voltage<br>(% of $V_O$ ) | $T_A = 25 \text{ } ^\circ\text{C}$ , $f = 10 \text{ Hz to } 10 \text{ kHz}$                                   |       | 0.003 |       | %    |
| S            | Temperature stability                     |   |       | 0.5   |       | %    |
| S            | Long term stability                       | $T_A = 125 \text{ } ^\circ\text{C}$ , 1000 Hrs  |       | 0.5   |       | %    |

1. See short-circuit current curve for available output current at fixed dropout.

$V_I = 8\text{ V}$ ,  $C_I = C_O = 10\ \mu\text{F}$ ,  $T_A = -40\text{ to }125\text{ }^\circ\text{C}$ , unless otherwise specified.

**Table 6. Electrical characteristics of LD1086#50**

| Symbol       | Parameter                                 | Test conditions   | Min. | Typ.  | Max. | Unit |
|--------------|---|---|------|-------|------|------|
| $V_O$        | Output voltage <sup>(1)</sup>             | $I_O = 0\text{ mA}$ , $T_J = 25\text{ }^\circ\text{C}$  | 4.95 | 5     | 5.05 | V    |
|              |   | $I_O = 0\text{ to }1.5\text{ A}$ , $V_I = 6.6\text{ to }30\text{ V}$                              | 4.9  | 5     | 5.1  | V    |
| $\Delta V_O$ | Line regulation                           | $I_O = 0\text{ mA}$ , $V_I = 6.6\text{ to }20\text{ V}$ ,<br>$T_J = 25\text{ }^\circ\text{C}$     |      | 0.5   | 10   | mV   |
|              |   | $I_O = 0\text{ mA}$ , $V_I = 6.6\text{ to }20\text{ V}$   |      | 1     | 10   | mV   |
| $\Delta V_O$ | Load regulation                           | $I_O = 0\text{ to }1.5\text{ A}$ , $T_J = 25\text{ }^\circ\text{C}$                               |      | 5     | 20   | mV   |
|              |   | $I_O = 0\text{ to }1.5\text{ A}$  |      | 10    | 35   | mV   |
| $V_d$        | Dropout voltage                           | $I_O = 1.5\text{ A}$  |      | 1.3   | 1.5  | V    |
| $I_q$        | Quiescent current                         | $V_I \leq 30\text{ V}$  |      | 5     | 10   | mA   |
| $I_{sc}$     | Short-circuit current                     | $V_I - V_O = 5\text{ V}$  | 1.5  | 2     |      | A    |
|              |   | $V_I - V_O = 25\text{ V}$   | 0.05 | 0.2   |      | A    |
|              | Thermal regulation                        | $T_A = 25\text{ }^\circ\text{C}$ , 30 ms pulse  |      | 0.01  | 0.04 | %/W  |
| SVR          | Supply voltage rejection                  | $f = 120\text{ Hz}$ , $C_O = 25\ \mu\text{F}$ , $I_O = 1.5\text{ A}$<br>$V_I = 10 \pm 3\text{ V}$ | 60   | 75    |      | dB   |
| eN           | RMS output noise voltage<br>(% of $V_O$ ) | $T_A = 25\text{ }^\circ\text{C}$ , $f = 10\text{ Hz to }10\text{ kHz}$                            |      | 0.003 |      | %    |
| S            | Temperature stability                     |   |      | 0.5   |      | %    |
| S            | Long term stability                       | $T_A = 125\text{ }^\circ\text{C}$ , 1000 Hrs  |      | 0.5   |      | %    |

1. See short-circuit current curve for available output current at fixed dropout.

$V_I = 4.25\text{ V}$ ,  $C_I = C_O = 10\ \mu\text{F}$ ,  $T_A = -40\text{ to }125\text{ }^\circ\text{C}$ , unless otherwise specified.

**Table 7. Electrical characteristics of LD1086B#**

| Symbol                  | Parameter                                 | Test conditions  | Min.  | Typ.  | Max.  | Unit          |
|-------------------------|---|--|-------|-------|-------|---------------|
| $V_{\text{ref}}$        | Reference voltage <sup>(1)</sup>          | $I_O = 10\text{ mA}$ , $T_J = 25\text{ }^\circ\text{C}$  | 1.231 | 1.25  | 1.269 | V             |
|                         |   | $I_O = 10\text{ mA to }1.5\text{ A}$ , $V_I = 2.85\text{ to }30\text{ V}$  | 1.219 | 1.25  | 1.281 | V             |
| $\Delta V_O$            | Line regulation                           | $I_O = 10\text{ mA}$ , $V_I = 2.8\text{ to }16.5\text{ V}$ ,<br>$T_J = 25\text{ }^\circ\text{C}$   |       | 0.015 | 0.2   | %             |
|                         |   | $I_O = 10\text{ mA}$ , $V_I = 2.8\text{ to }16.5\text{ V}$   |       | 0.035 | 0.2   | %             |
| $\Delta V_O$            | Load regulation                           | $I_O = 10\text{ mA to }1.5\text{ A}$ , $T_J = 25\text{ }^\circ\text{C}$  |       | 0.1   | 0.3   | %             |
|                         |   | $I_O = 0\text{ to }1.5\text{ A}$   |       | 0.2   | 0.4   | %             |
| $V_d$                   | Dropout voltage                           | $I_O = 1.5\text{ A}$   |       | 1.3   | 1.5   | V             |
| $I_{O(\text{min})}$     | Minimum load current                      | $V_I = 30\text{ V}$  |       | 3     | 10    | mA            |
| $I_{\text{sc}}$         | Short-circuit current                     | $V_I - V_O = 5\text{ V}$   | 1.5   | 2.3   |       | A             |
|                         |   | $V_I - V_O = 25\text{ V}$  | 0.05  | 0.2   |       | A             |
|                         | Thermal regulation                        | $T_A = 25\text{ }^\circ\text{C}$ , 30 ms pulse   |       | 0.01  | 0.04  | %/W           |
| SVR                     | Supply voltage rejection                  | $f = 120\text{ Hz}$ , $C_O = 25\ \mu\text{F}$ , $C_{\text{ADJ}} = 25\ \mu\text{F}$ ,<br>$I_O = 1.5\text{ A}$ , $V_I = 6.25 \pm 3\text{ V}$ | 60    | 88    |       | dB            |
| $I_{\text{ADJ}}$        | Adjust pin current                        | $V_I = 4.25\text{ V}$ , $I_O = 10\text{ mA}$   |       | 40    | 120   | $\mu\text{A}$ |
| $\Delta I_{\text{ADJ}}$ | Adjust pin current change <sup>(1)</sup>  | $I_O = 10\text{ mA to }1.5\text{ A}$ , $V_I = 2.8\text{ to }16.5\text{ V}$   |       | 0.2   | 5     | $\mu\text{A}$ |
| eN                      | RMS output noise voltage<br>(% of $V_O$ ) | $T_A = 25\text{ }^\circ\text{C}$ , $f = 10\text{ Hz to }10\text{ kHz}$   |       | 0.003 |       | %             |
| S                       | Temperature stability                     |  |       | 0.5   |       | %             |
| S                       | Long term stability                       | $T_A = 125\text{ }^\circ\text{C}$ , 1000 Hrs   |       | 0.5   |       | %             |

1. See short-circuit current curve for available output current at fixed dropout.

$V_I = 4.25\text{ V}$ ,  $C_I = C_O = 10\ \mu\text{F}$ ,  $T_A = -40\text{ to }125\text{ }^\circ\text{C}$ , unless otherwise specified.

**Table 8. Electrical characteristics of LD1086#**

| Symbol                  | Parameter                                 | Test conditions  | Min.  | Typ.  | Max.  | Unit          |
|-------------------------|---|--|-------|-------|-------|---------------|
| $V_{\text{ref}}$        | Reference voltage <sup>(1)</sup>          | $I_O = 10\text{ mA}$ , $T_J = 25\text{ }^\circ\text{C}$  | 1.237 | 1.25  | 1.263 | V             |
|                         |   | $I_O = 10\text{ mA to }1.5\text{ A}$ , $V_I = 2.85\text{ to }30\text{ V}$  | 1.225 | 1.25  | 1.275 | V             |
| $\Delta V_O$            | Line regulation                           | $I_O = 10\text{ mA}$ , $V_I = 2.8\text{ to }16.5\text{ V}$ ,<br>$T_J = 25\text{ }^\circ\text{C}$   |       | 0.015 | 0.2   | %             |
|                         |   | $I_O = 10\text{ mA}$ , $V_I = 2.8\text{ to }16.5\text{ V}$   |       | 0.035 | 0.2   | %             |
| $\Delta V_O$            | Load regulation                           | $I_O = 10\text{ mA to }1.5\text{ A}$ , $T_J = 25\text{ }^\circ\text{C}$  |       | 0.1   | 0.3   | %             |
|                         |   | $I_O = 0\text{ to }1.5\text{ A}$   |       | 0.2   | 0.4   | %             |
| $V_d$                   | Dropout voltage                           | $I_O = 1.5\text{ A}$   |       | 1.3   | 1.5   | V             |
| $I_{O(\text{min})}$     | Minimum load current                      | $V_I = 30\text{ V}$  |       | 3     | 10    | mA            |
| $I_{\text{sc}}$         | Short-circuit current                     | $V_I - V_O = 5\text{ V}$   | 1.5   | 2.3   |       | A             |
|                         |   | $V_I - V_O = 25\text{ V}$  | 0.05  | 0.2   |       | A             |
|                         | Thermal regulation                        | $T_A = 25\text{ }^\circ\text{C}$ , 30 ms pulse   |       | 0.01  | 0.04  | %/W           |
| SVR                     | Supply voltage rejection                  | $f = 120\text{ Hz}$ , $C_O = 25\ \mu\text{F}$ , $C_{\text{ADJ}} = 25\ \mu\text{F}$ ,<br>$I_O = 1.5\text{ A}$ , $V_I = 6.25 \pm 3\text{ V}$ | 60    | 88    |       | dB            |
| $I_{\text{ADJ}}$        | Adjust pin current                        | $V_I = 4.25\text{ V}$ , $I_O = 10\text{ mA}$   |       | 40    | 120   | $\mu\text{A}$ |
| $\Delta I_{\text{ADJ}}$ | Adjust pin current change <sup>(1)</sup>  | $I_O = 10\text{ mA to }1.5\text{ A}$ , $V_I = 2.8\text{ to }16.5\text{ V}$   |       | 0.2   | 5     | $\mu\text{A}$ |
| eN                      | RMS output noise voltage<br>(% of $V_O$ ) | $T_A = 25\text{ }^\circ\text{C}$ , $f = 10\text{ Hz to }10\text{ kHz}$   |       | 0.003 |       | %             |
| S                       | Temperature stability                     |  |       | 0.5   |       | %             |
| S                       | Long term stability                       | $T_A = 125\text{ }^\circ\text{C}$ , 1000 Hrs   |       | 0.5   |       | %             |

1. See short-circuit current curve for available output current at fixed dropout.

$V_I = 4.25\text{ V}$ ,  $C_I = C_O = 10\ \mu\text{F}$ ,  $T_A = -40\text{ to }125\text{ }^\circ\text{C}$ , unless otherwise specified.

**Table 9. Electrical characteristics of LD1086DTTRY and LD1086VY (Automotive grade)**

| Symbol                  | Parameter                                 | Test conditions  | Min.  | Typ.  | Max.  | Unit          |
|-------------------------|---|--|-------|-------|-------|---------------|
| $V_{\text{ref}}$        | Reference voltage <sup>(1)</sup>          | $I_O = 10\text{ mA}$ , $T_A = 25\text{ }^\circ\text{C}$  | 1.237 | 1.25  | 1.263 | V             |
|                         |   | $I_O = 10\text{ mA to }1.5\text{ A}$ , $V_I = 2.85\text{ to }30\text{ V}$  | 1.225 | 1.25  | 1.275 | V             |
| $\Delta V_O$            | Line regulation                           | $I_O = 10\text{ mA}$ , $V_I = 2.8\text{ to }16.5\text{ V}$   |       | 0.035 | 0.2   | %             |
| $\Delta V_O$            | Load regulation                           | $I_O = 0\text{ to }1.5\text{ A}$   |       | 0.2   | 0.4   | %             |
| $V_d$                   | Dropout voltage                           | $I_O = 1.5\text{ A}$   |       | 1.3   | 1.5   | V             |
| $I_{O(\text{min})}$     | Minimum load current                      | $V_I = 30\text{ V}$  |       | 3     | 10    | mA            |
| $I_{\text{sc}}$         | Short-circuit current                     | $V_I - V_O = 5\text{ V}$ , $T_A = 25\text{ }^\circ\text{C}$  | 1.5   | 2.3   |       | A             |
|                         |   | $V_I - V_O = 25\text{ V}$ , $T_A = 25\text{ }^\circ\text{C}$   | 0.05  | 0.2   |       | A             |
|                         | Thermal regulation                        | $T_A = 25\text{ }^\circ\text{C}$ , 30 ms pulse   |       | 0.01  | 0.04  | %/W           |
| SVR                     | Supply voltage rejection                  | $f = 120\text{ Hz}$ , $C_O = 25\ \mu\text{F}$ , $C_{\text{ADJ}} = 25\ \mu\text{F}$ , $I_O = 1.5\text{ A}$ , $V_I = 6.25 \pm 3\text{ V}$ , $T_A = 25\text{ }^\circ\text{C}$ | 60    | 88    |       | dB            |
| $I_{\text{ADJ}}$        | Adjust pin current                        | $V_I = 4.25\text{ V}$ , $I_O = 10\text{ mA}$   |       | 40    | 120   | $\mu\text{A}$ |
| $\Delta I_{\text{ADJ}}$ | Adjust pin current change <sup>(1)</sup>  | $I_O = 10\text{ mA to }1.5\text{ A}$ , $V_I = 2.8\text{ to }16.5\text{ V}$   |       | 0.2   | 5     | $\mu\text{A}$ |
| eN                      | RMS output noise voltage<br>(% of $V_O$ ) | $T_A = 25\text{ }^\circ\text{C}$ , $f = 10\text{ Hz to }10\text{ kHz}$   |       | 0.003 |       | %             |
| S                       | Temperature stability                     |  |       | 0.5   |       | %             |
| S                       | Long term stability                       | $T_A = 125\text{ }^\circ\text{C}$ , 1000 Hrs   |       | 0.5   |       | %             |

1. See short-circuit current curve for available output current at fixed dropout.

## 6 Typical application

Unless otherwise specified  $T_J = 25\text{ }^\circ\text{C}$ ,  $C_I = C_O = 10\text{ }\mu\text{F}$ .

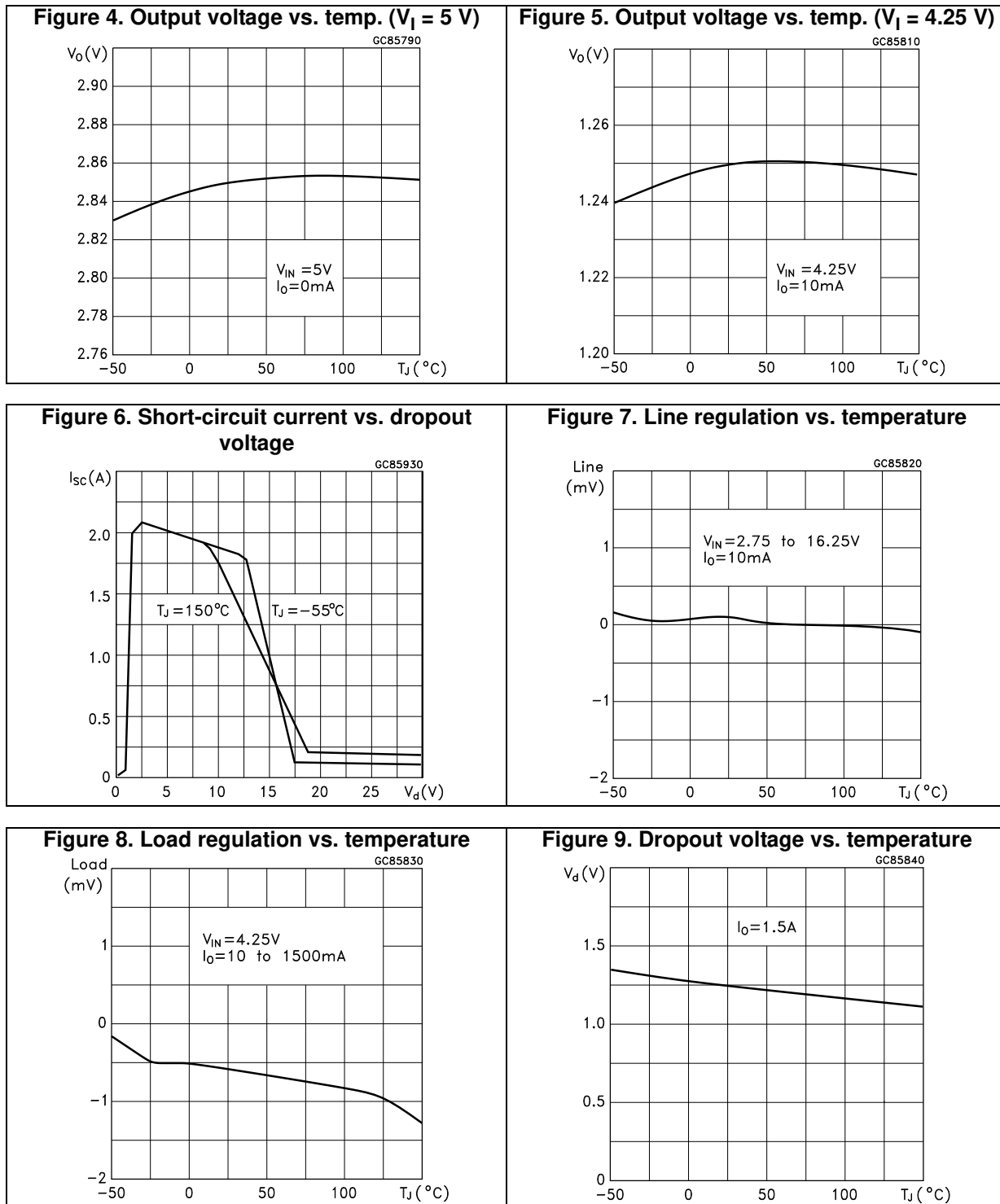


Figure 10. Dropout voltage vs. output current

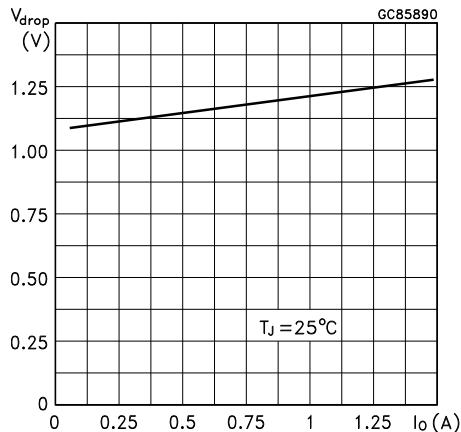


Figure 11. Adjust pin current vs. input voltage

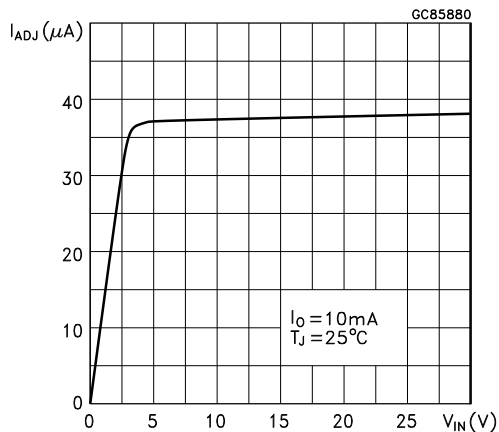


Figure 12. Adjust pin current vs. input voltage

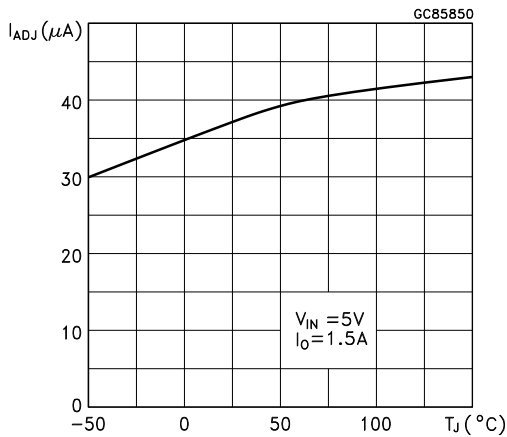


Figure 13. Adjust pin current vs. output current

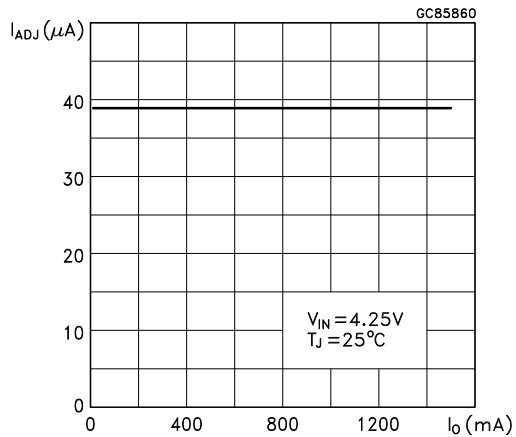


Figure 14. Quiescent current vs. output current

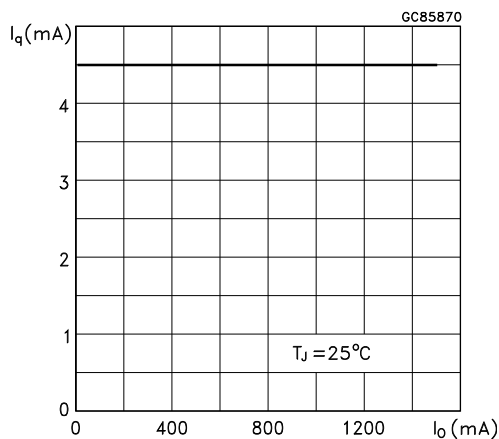
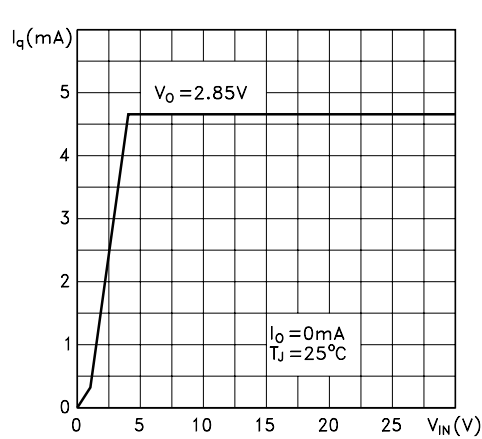


Figure 15. Quiescent current vs. input voltage



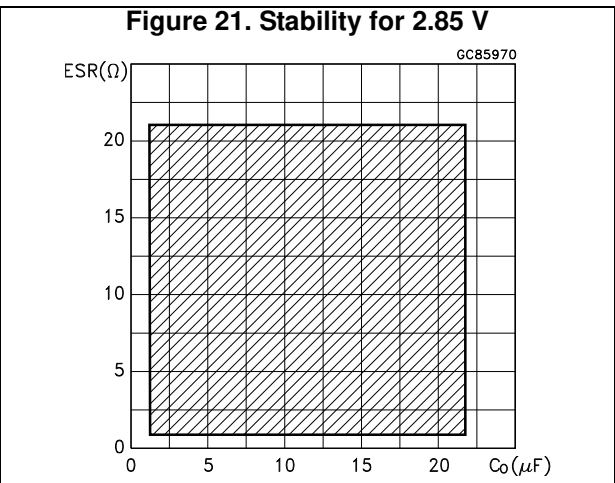
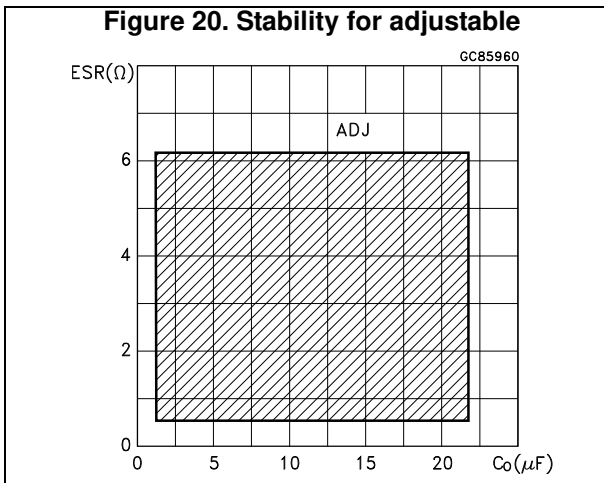
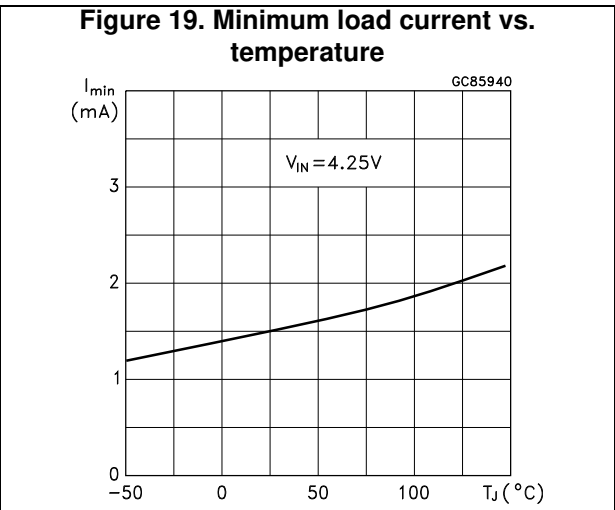
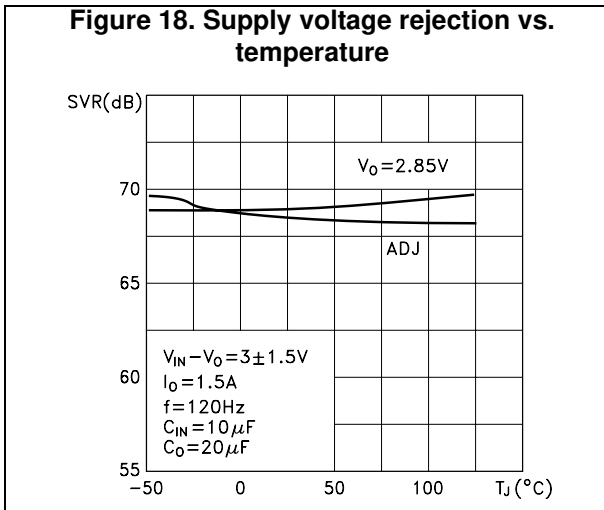
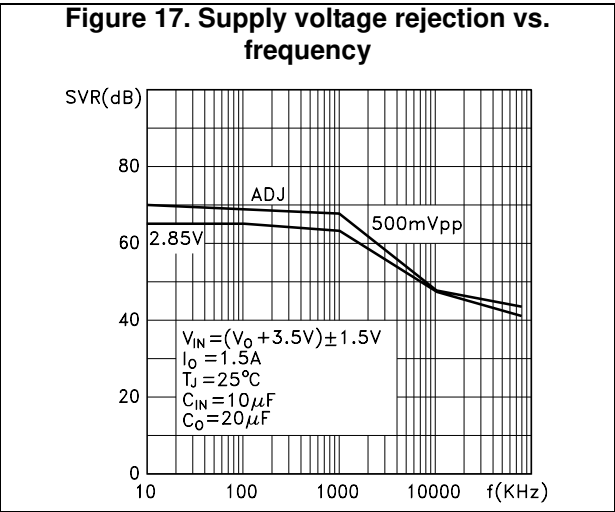
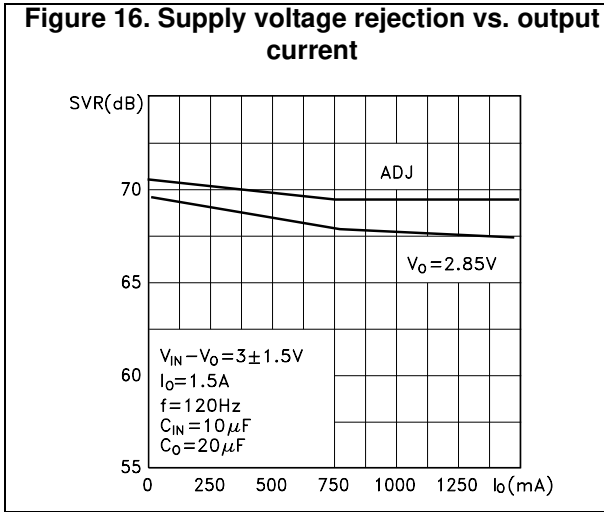
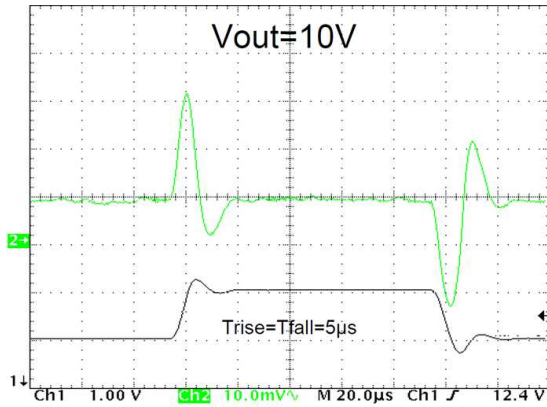
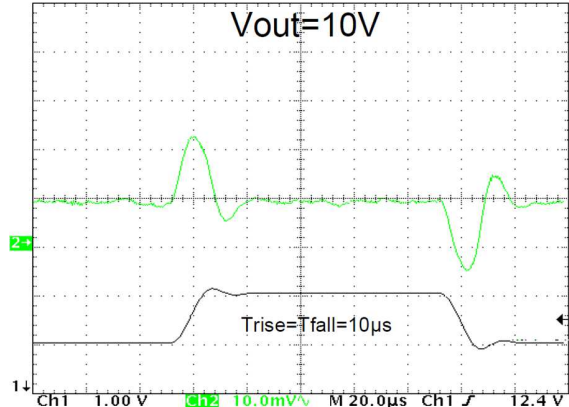


Figure 22. Line transient ( $V_I = 12$  to  $13$  V)



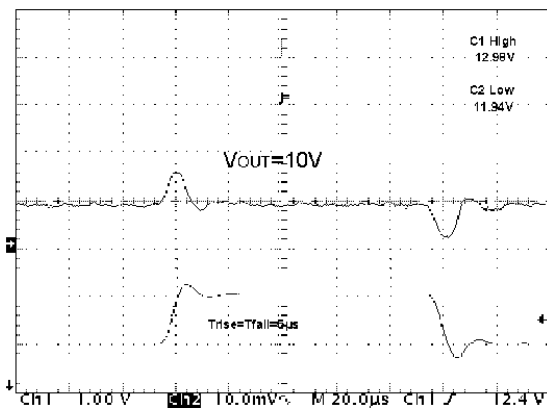
$V_I = 12$  to  $13$  V,  $I_O = 200$  mA,  $C_I = 1$   $\mu$ F (tant),  $C_O = 10$   $\mu$ F (tant), No  $C_{ADJ}$

Figure 23. Line transient ( $I_O = 200$  mA)



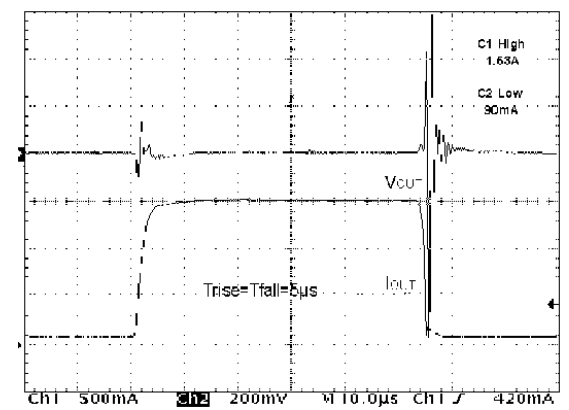
$V_I = 12$  to  $13$  V,  $I_O = 200$  mA,  $C_I = 1$   $\mu$ F (tant),  $C_O = 10$   $\mu$ F (tant), No  $C_{ADJ}$

Figure 24. Line transient ( $C_{ADJ} = 1$   $\mu$ F)



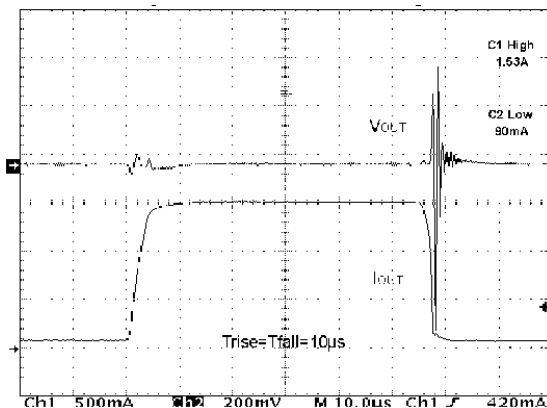
$V_I = 12$  to  $13$  V,  $I_O = 200$  mA,  $C_I = 1$   $\mu$ F (tant),  $C_O = 10$   $\mu$ F (tant),  $C_{ADJ} = 1$   $\mu$ F

Figure 25. Load transient



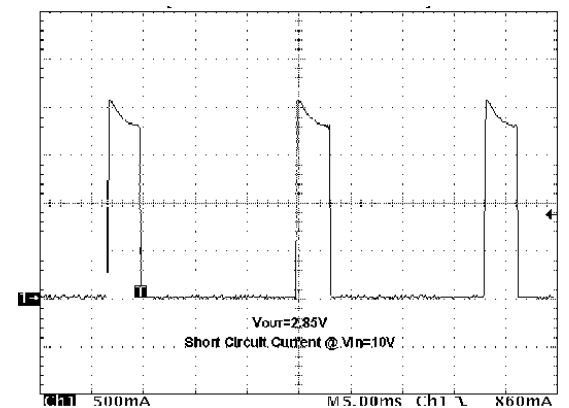
$V_I = 13$  V,  $I_O = 0.1$  to  $1.5$  A,  $C_I = 1$   $\mu$ F (tant),  $C_O = 10$   $\mu$ F (tant),  $C_{ADJ} = 1$   $\mu$ F

Figure 26. Load transient ( $T_{rise} = T_{fall} = 10$   $\mu$ s)



$V_I = 13$  V,  $I_O = 0.1$  to  $1.5$  A,  $C_I = 1$   $\mu$ F (tant),  $C_O = 10$   $\mu$ F (tant),  $C_{ADJ} = 1$   $\mu$ F

Figure 27. Thermal protection



$V_O = 2.85$  V

## 7 Package information

In order to meet environmental requirements, ST offers these devices in different grades of ECOPACK packages, depending on their level of environmental compliance. ECOPACK specifications, grade definitions and product status are available at: [www.st.com](http://www.st.com). ECOPACK is an ST trademark.

### 7.1 TO-220 (STD-ST dual gauge) type A package information

Figure 28. TO-220 (STD-ST dual gauge) type A package outline

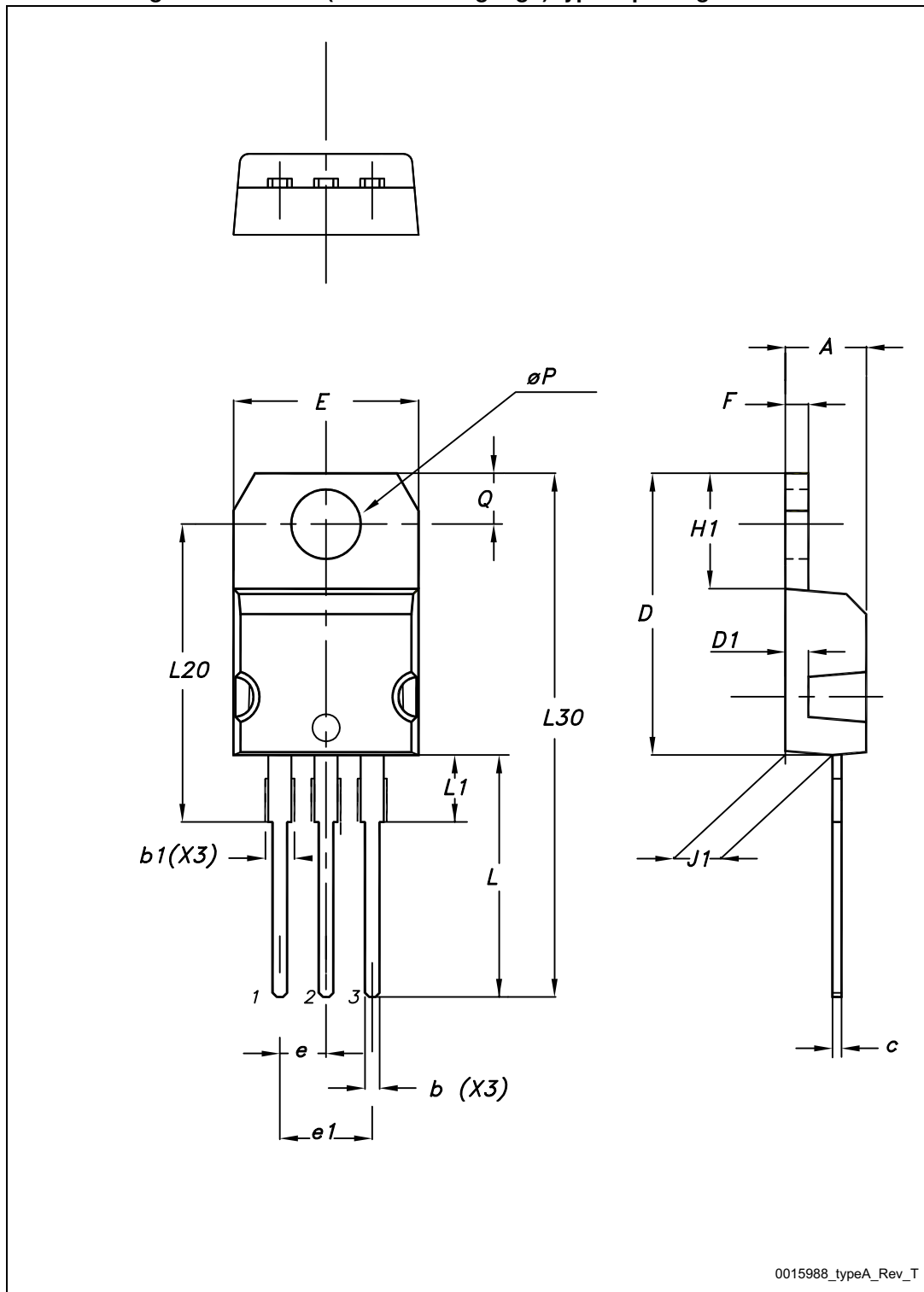


Table 10. TO-220 (STD-ST dual gauge) type A mechanical data

| Dim. | mm    |       |       |
|------|-------|-------|-------|
|      | Min.  | Typ.  | Max.  |
| A    | 4.40  |       | 4.60  |
| b    | 0.61  |       | 0.88  |
| b1   | 1.14  |       | 1.70  |
| c    | 0.48  |       | 0.70  |
| D    | 15.25 |       | 15.75 |
| D1   |       | 1.27  |       |
| E    | 10    |       | 10.40 |
| e    | 2.40  |       | 2.70  |
| e1   | 4.95  |       | 5.15  |
| F    | 1.23  |       | 1.32  |
| H1   | 6.20  |       | 6.60  |
| J1   | 2.40  |       | 2.72  |
| L    | 13    |       | 14    |
| L1   | 3.50  |       | 3.93  |
| L20  |       | 16.40 |       |
| L30  |       | 28.90 |       |
| ∅P   | 3.75  |       | 3.85  |
| Q    | 2.65  |       | 2.95  |

### 7.2 DPAK package information

Figure 29. DPAK package outline

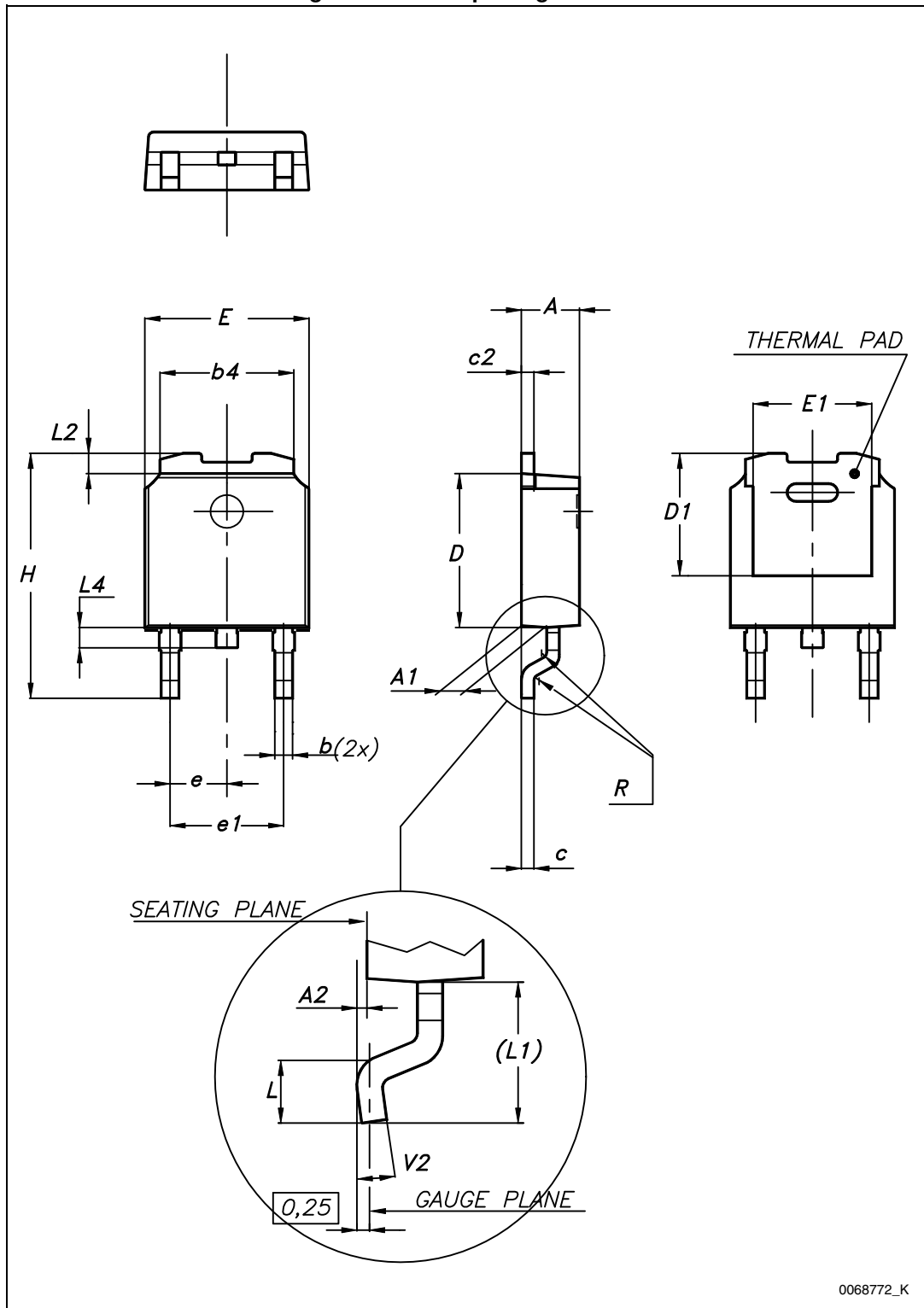
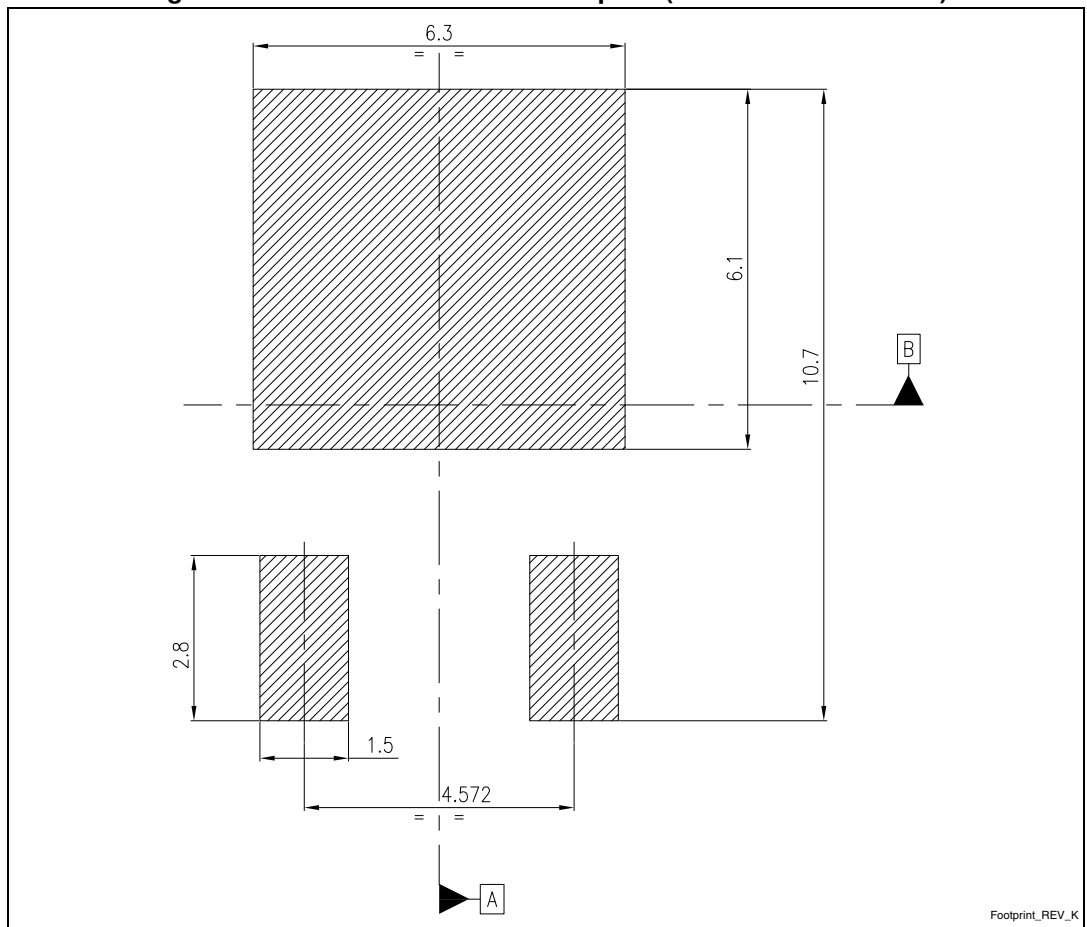


Table 11. DPAK mechanical data

| Dim. | mm   |      |       |
|------|------|------|-------|
|      | Min. | Typ. | Max.  |
| A    | 2.20 |      | 2.40  |
| A1   | 0.90 |      | 1.10  |
| A2   | 0.03 |      | 0.23  |
| b    | 0.64 |      | 0.90  |
| b4   | 5.20 |      | 5.40  |
| c    | 0.45 |      | 0.60  |
| c2   | 0.48 |      | 0.60  |
| D    | 6.00 |      | 6.20  |
| D1   |      | 5.10 |       |
| E    | 6.40 |      | 6.60  |
| E1   |      | 4.70 |       |
| e    |      | 2.28 |       |
| e1   | 4.40 |      | 4.60  |
| H    | 9.35 |      | 10.10 |
| L    | 1.00 |      | 1.50  |
| (L1) |      | 2.80 |       |
| L2   |      | 0.80 |       |
| L4   | 0.60 |      | 1.00  |
| R    |      | 0.20 |       |
| V2   | 0°   |      | 8°    |

Figure 30. DPAK recommended footprint (dimension are in mm)



### 7.3 D<sup>2</sup>PAK (SMD 2L STD-ST) type A package information

Figure 31. D<sup>2</sup>PAK (SMD 2L STD-ST) type A package outline

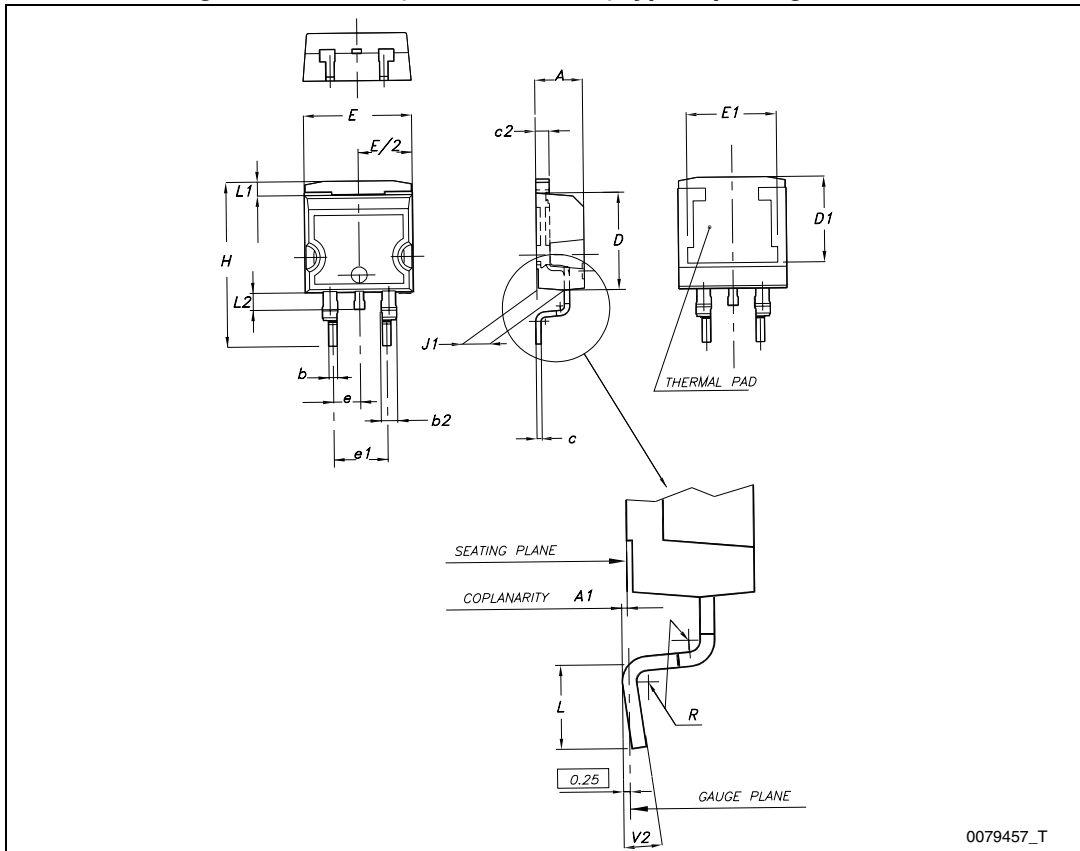
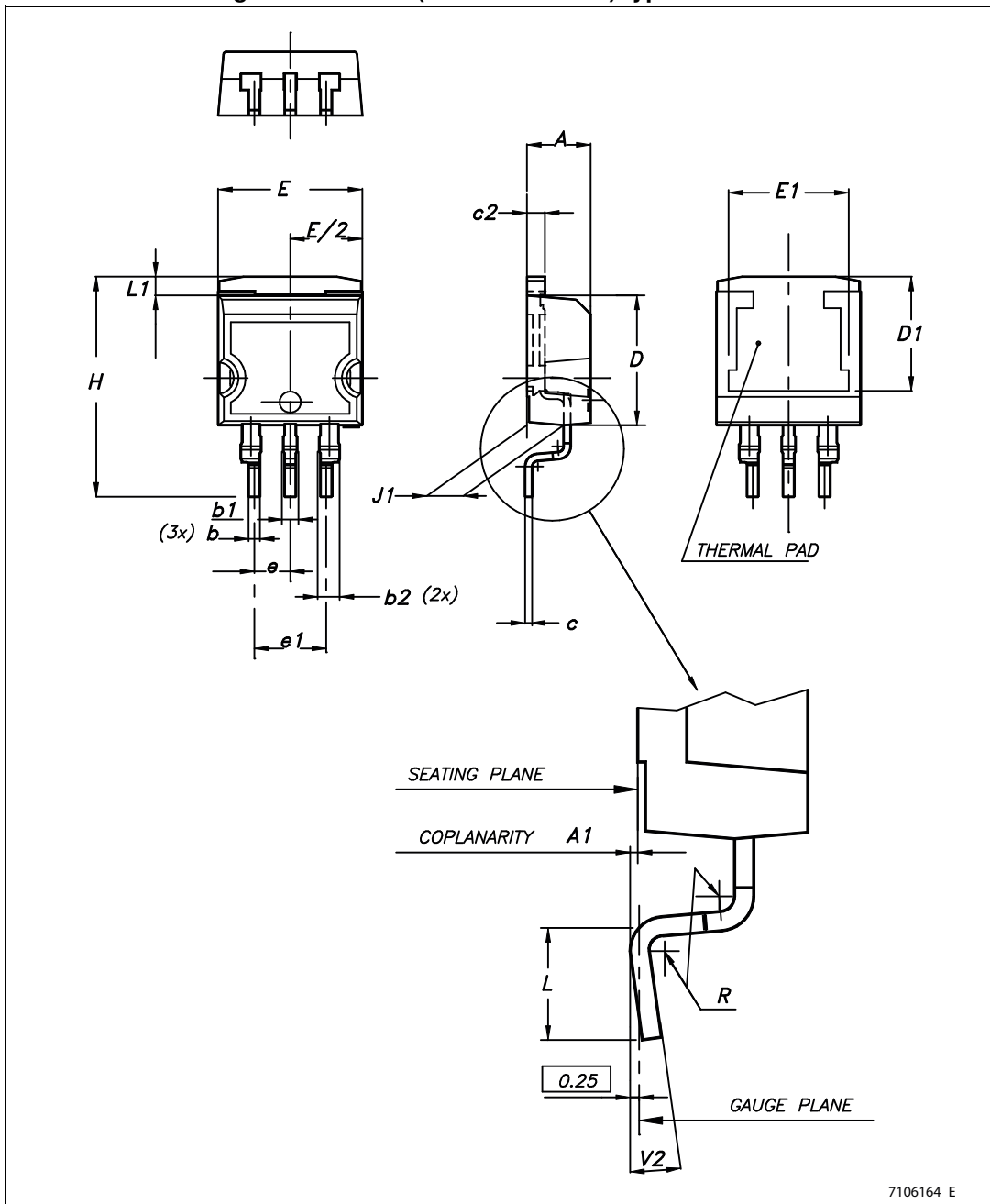


Table 12. D<sup>2</sup>PAK (SMD 2L STD-ST) type A mechanical data

| Dim. | mm   |      |       |
|------|------|------|-------|
|      | Min. | Typ. | Max.  |
| A    | 4.40 |      | 4.60  |
| A1   | 0.03 |      | 0.23  |
| b    | 0.70 |      | 0.93  |
| b2   | 1.14 |      | 1.70  |
| c    | 0.45 |      | 0.60  |
| c2   | 1.23 |      | 1.36  |
| D    | 8.95 |      | 9.35  |
| D1   | 7.50 |      |       |
| E    | 10   |      | 10.40 |
| E1   | 8.50 |      |       |
| e    |      | 2.54 |       |
| e1   | 4.88 |      | 5.28  |
| H    | 15   |      | 15.85 |
| J1   | 2.49 |      | 2.69  |
| L    | 2.29 |      | 2.79  |
| L1   | 1.27 |      | 1.40  |
| L2   | 1.30 |      | 1.75  |
| R    |      | 0.4  |       |
| V2   | 0°   |      | 8°    |

### 7.4 D<sup>2</sup>PAK (SMD 3L STD-ST) type A package information

Figure 32. D<sup>2</sup>PAK (SMD 3L STD-ST) type A outline

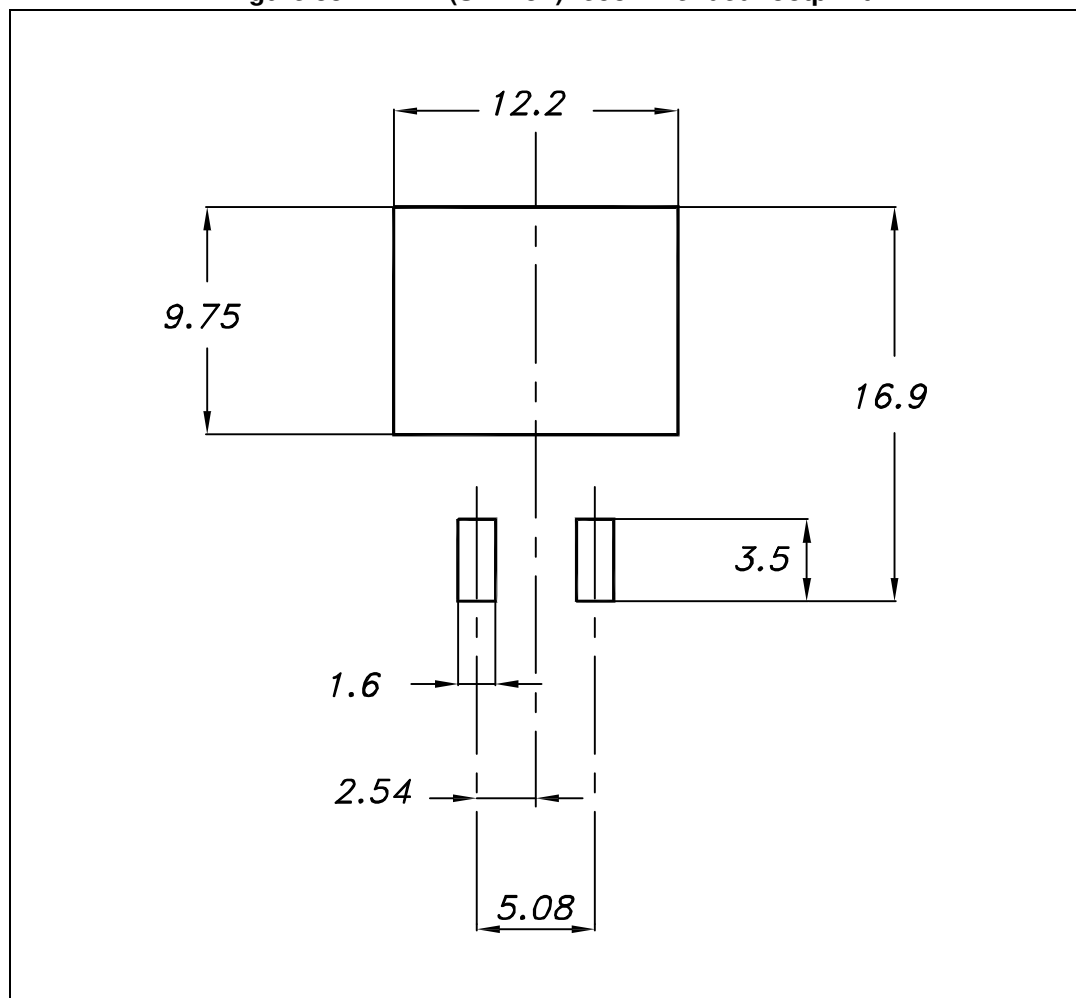


7106164\_E

Table 13. D<sup>2</sup>PAK (SMD 3L STD-ST) type A mechanical data

| Dim. | mm   |      |       |
|------|------|------|-------|
|      | Min. | Typ. | Max.  |
| A    | 4.40 |      | 4.60  |
| A1   | 0.03 |      | 0.23  |
| b    | 0.70 |      | 0.93  |
| b1   | 0.80 |      | 1.30  |
| b2   | 1.14 |      | 1.70  |
| c    | 0.45 |      | 0.60  |
| c2   | 1.23 |      | 1.36  |
| D    | 8.95 |      | 9.35  |
| D1   | 7.50 |      |       |
| E    | 10   |      | 10.40 |
| E1   | 8.50 |      |       |
| e    |      | 2.54 |       |
| e1   | 4.88 |      | 5.28  |
| H    | 15   |      | 15.85 |
| J1   | 2.49 |      | 2.69  |
| L    | 2.29 |      | 2.79  |
| L1   | 1.27 |      | 1.40  |
| R    |      | 0.4  |       |
| V2   | 0°   |      | 8°    |

Figure 33. D<sup>2</sup>PAK (SMD 3L) recommended footprint



### 7.5 DPAK and D<sup>2</sup>PAK packing information

Figure 34. DPAK and D<sup>2</sup>PAK tape outline

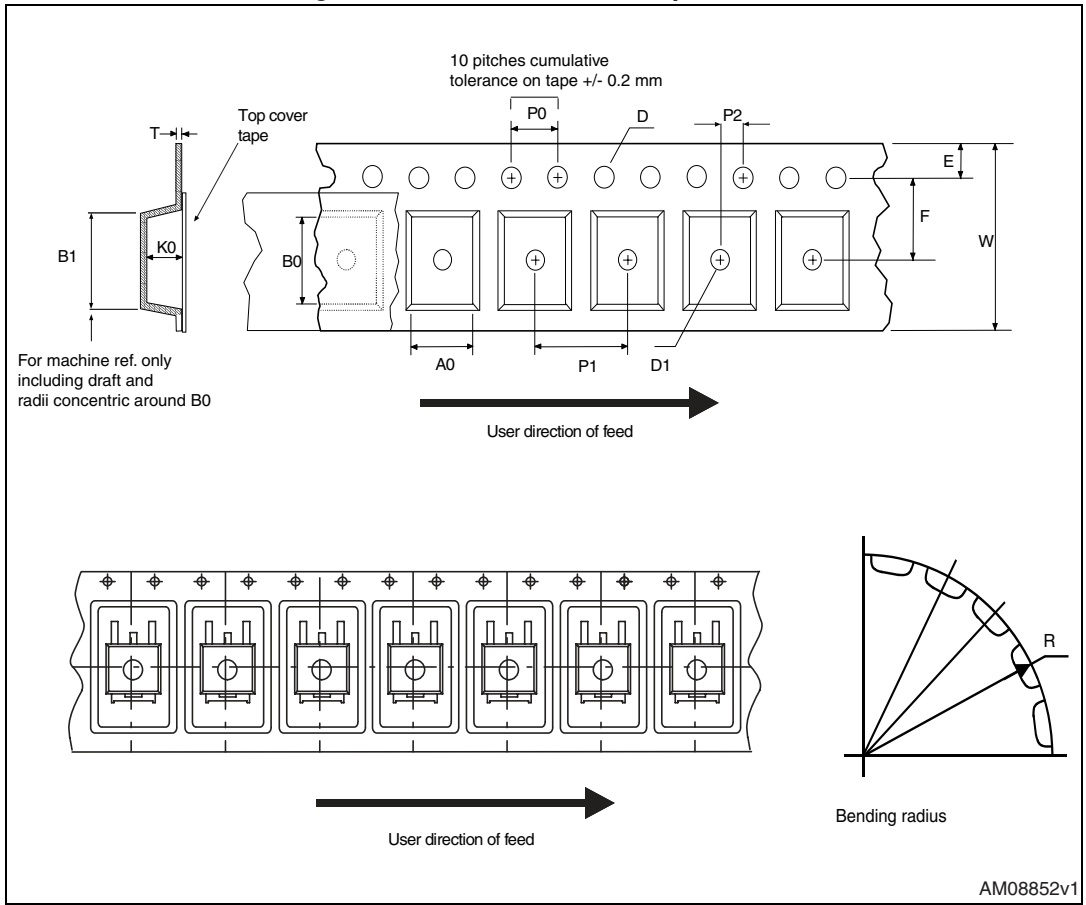


Figure 35. DPAK and D<sup>2</sup>PAK reel outline

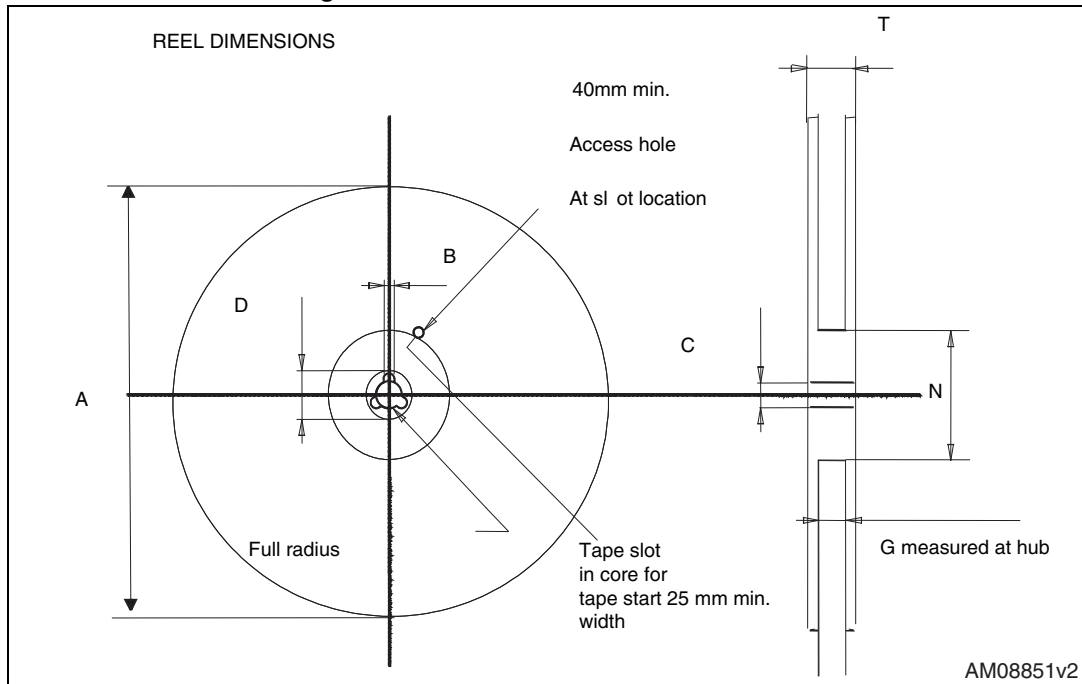


Table 14. DPAK tape and reel mechanical data

| Tape |      |      | Reel |           |      |
|------|------|------|------|-----------|------|
| Dim. | mm   |      | Dim. | mm        |      |
|      | Min. | Max. |      | Min.      | Max. |
| A0   | 6.8  | 7    | A    |           | 330  |
| B0   | 10.4 | 10.6 | B    | 1.5       |      |
| B1   |      | 12.1 | C    | 12.8      | 13.2 |
| D    | 1.5  | 1.6  | D    | 20.2      |      |
| D1   | 1.5  |      | G    | 16.4      | 18.4 |
| E    | 1.65 | 1.85 | N    | 50        |      |
| F    | 7.4  | 7.6  | T    |           | 22.4 |
| K0   | 2.55 | 2.75 |      |           |      |
| P0   | 3.9  | 4.1  |      | Base qty. | 2500 |
| P1   | 7.9  | 8.1  |      | Bulk qty. | 2500 |
| P2   | 1.9  | 2.1  |      |           |      |
| R    | 40   |      |      |           |      |
| T    | 0.25 | 0.35 |      |           |      |
| W    | 15.7 | 16.3 |      |           |      |

Table 15. D<sup>2</sup>PAK tape and reel mechanical data

| Tape |      |      | Reel      |      |      |
|------|------|------|-----------|------|------|
| Dim. | mm   |      | Dim.      | mm   |      |
|      | Min. | Max. |           | Min. | Max. |
| A0   | 10.5 | 10.7 | A         |      | 330  |
| B0   | 15.7 | 15.9 | B         | 1.5  |      |
| D    | 1.5  | 1.6  | C         | 12.8 | 13.2 |
| D1   | 1.59 | 1.61 | D         | 20.2 |      |
| E    | 1.65 | 1.85 | G         | 24.4 | 26.4 |
| F    | 11.4 | 11.6 | N         | 100  |      |
| K0   | 4.8  | 5.0  | T         |      | 30.4 |
| P0   | 3.9  | 4.1  |           |      |      |
| P1   | 11.9 | 12.1 | Base qty. |      | 1000 |
| P2   | 1.9  | 2.1  | Bulk qty. |      | 1000 |
| R    | 50   |      |           |      |      |
| T    | 0.25 | 0.35 |           |      |      |
| W    | 23.7 | 24.3 |           |      |      |

### 7.6 DFN8 (4x4) package information

Figure 36. DFN8 (4x4) package outline

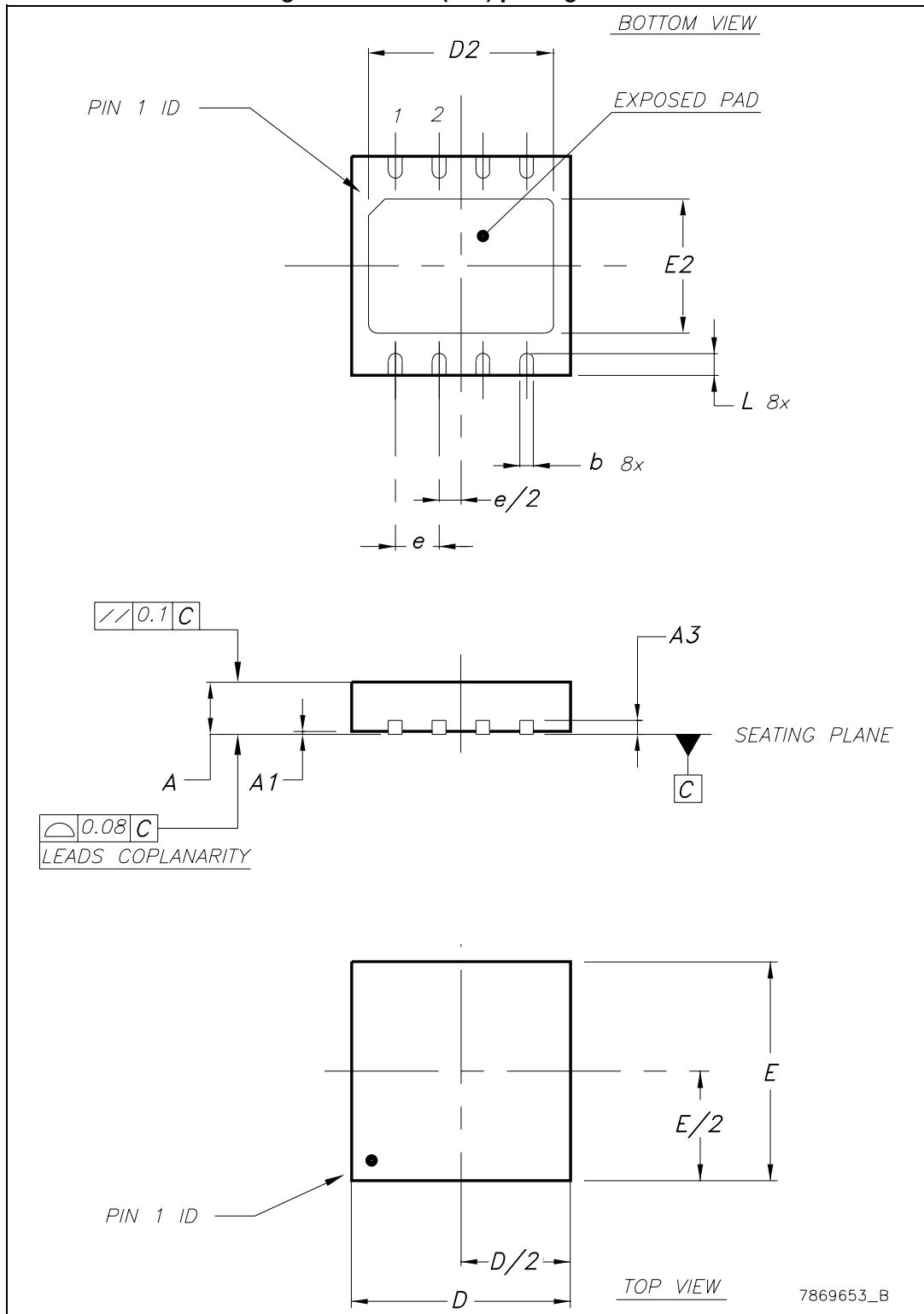
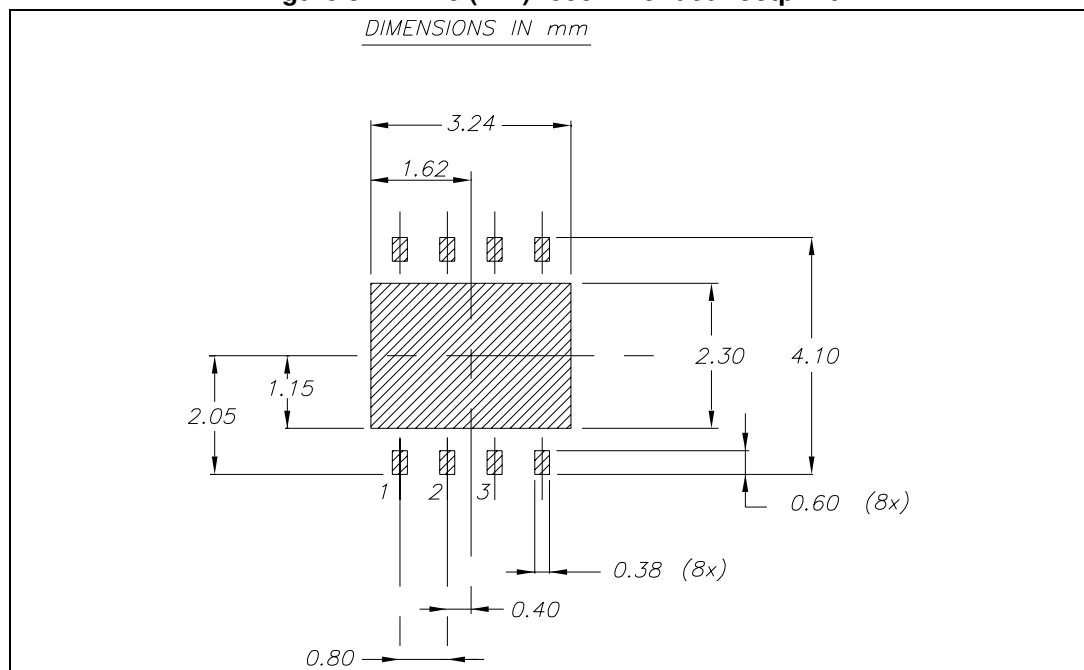


Table 16. DFN8 (4x4) mechanical data

| Dim. | mm.  |      |      |
|------|------|------|------|
|      | Min. | Typ. | Max. |
| A    | 0.80 | 0.90 | 1    |
| A1   | 0    | 0.02 | 0.05 |
| A3   |      | 0,20 |      |
| b    | 0.23 | 0.30 | 0.38 |
| D    | 3.90 | 4    | 4.10 |
| D2   | 2.82 | 3    | 3.23 |
| E    | 3.90 | 4    | 4.10 |
| E2   | 2.05 | 2.20 | 2.30 |
| e    |      | 0.80 |      |
| L    | 0.40 | 0.50 | 0.60 |

Figure 37. DFN8 (4x4) recommended footprint



### 7.7 DFN8 (4x4) packing information

Figure 38. DFN8 (4x4) tape outline (dimension are in mm)

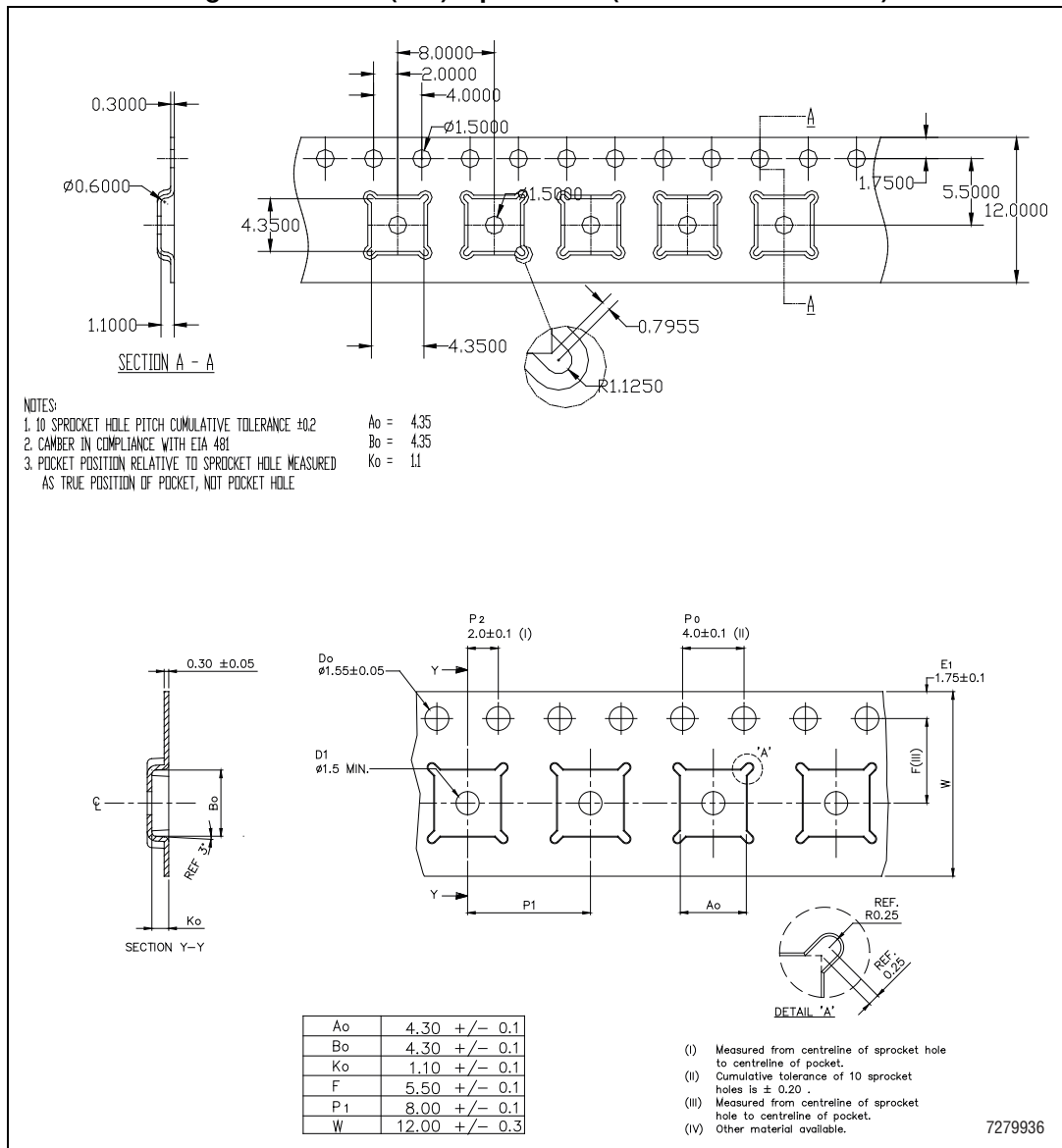
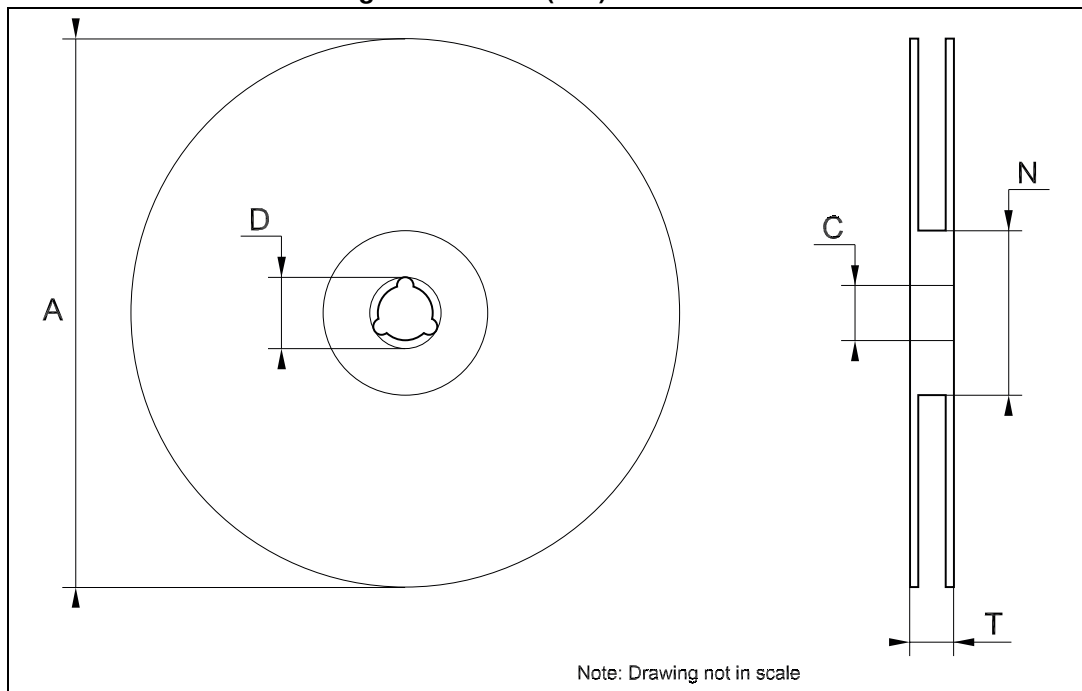


Table 17. DFN8 (4x4) reel mechanical data

| Dim. | mm.  |      |      | inch. |       |        |
|------|------|------|------|-------|-------|--------|
|      | Min. | Typ. | Max. | Min.  | Typ.  | Max.   |
| A    |      |      | 330  |       |       | 12.992 |
| C    | 12.8 | 13.0 | 13.2 | 0.504 | 0.512 | 0.519  |
| D    | 20.2 |      |      | 0.795 |       |        |
| N    | 60   |      |      | 2.362 |       |        |
| T    |      |      | 22.4 |       |       | 0.882  |

Figure 39. DFN8 (4x4) reel outline



## 8 Ordering information

Table 18. Order code

| Packages     |                    |                      |              |            |                 |
|--------------|--------------------|----------------------|--------------|------------|-----------------|
| TO-220       | D <sup>2</sup> PAK | D <sup>2</sup> PAK/A | DPAK         | DFN8 (4x4) | Output voltages |
|              |                    |                      | LD1086DT18TR |            | 1.8 V           |
| LD1086V33-DG | LD1086D2T33TR      | LD1086D2M33TR        | LD1086DT33TR |            | 3.3 V           |
|              |                    |                      | LD1086DT50TR |            | 5.0 V           |
| LD1086V-DG   | LD1086D2TTR        | LD1086D2MTR          | LD1086DTTR   | LD1086PUR  | ADJ             |
| LD1086BV-DG  |                    |                      | LD1086BDTTR  |            | ADJ             |

## 9 Revision history

**Table 19. Document revision history**

| Date        | Revision | Changes   |
|-------------|----------|---|
| 16-May-2006 | 14       | Order codes updated and new template.   |
| 19-Jan-2007 | 15       | D <sup>2</sup> PAK mechanical data updated and add footprint data.  |
| 05-Apr-2007 | 16       | Order codes updated.  |
| 07-Jun-2007 | 17       | Order codes updated.  |
| 19-Jul-2007 | 18       | Add note on Figure 2.   |
| 03-Dec-2007 | 19       | Modified: Table 18.   |
| 31-Jan-2008 | 20       | Added new order codes for Automotive grade products.  |
| 18-Feb-2008 | 21       | Modified: Table 18 on page 39.  |
| 14-Jul-2008 | 22       | Modified: Table 1 on page 7 and Table 18 on page 39.  |
| 10-Mar-2010 | 23       | Added: Table 12 on page 26, Figure 30 on page 23, Figure 31 on page 25, Figure 31 and Figure 32 on page 27.   |
| 15-Nov-2010 | 24       | Modified: RthJC value for TO-220 Table 2 on page 7.   |
| 11-Jul-2011 | 25       | Modified: Figure 24, Figure 25 on page 20 and Table 18 on page 39.  |
| 10-Feb-2012 | 26       | Added: order code LD1086V-DG Table 18 on page 39.   |
| 15-Mar-2012 | 27       | Added: new order code LD1086PUR Table 18 on page 39 and new package mechanical data DFN8 (4x4 mm) Table 16 on page 36, Figure 38 on page 35, Figure 39 on page 36, Figure 40 on page 37 and Figure 41 on page 38.   |
| 19-Oct-2012 | 28       | Added: RthJA value for DPAK Table 2 on page 7.  |
| 13-Feb-2013 | 29       | Modified: Output voltage in Voltage reference parameter Table 8 on page 14 and Table 10 on page 16.   |
| 01-Mar-2013 | 30       | Modified: DFN8 (4 x 4) pin configuration Figure 2 on page 6.  |
| 17-Jun-2013 | 31       | Added Table 8: Electrical characteristics of LD1086B# and Section 7.7: DFN8 (4x4) packing information.<br>Updated Section 7: Package information and Table 18: Order code.<br>Minor text changes.   |
| 22-Oct-2013 | 32       | RPN LD1086xx changed to LD1086.<br>Updated the Description in cover page.<br>Cancelled Table 1: Device summary.<br>Updated Figure 2: Pin connections (top view), Section 5: Electrical characteristics, Section 7: Package information and Table 18: Order code.<br>Minor text changes. |
| 18-Dec-2014 | 33       | Updated Table 6.: Electrical characteristics of LD1086#50, Section 7: Package information and Section 7.7: DFN8 (4x4) packing information.<br>Minor text changes.   |
| 10-Feb-2015 | 34       | Updated Table 18: Order code.<br>Minor text changes.  |

**Table 19. Document revision history (continued)**

| Date        | Revision | Changes  |
|-------------|----------|--|
| 16-Nov-2015 | 35       | Updated Section 7: Package information and Table 18: Order code<br>Minor text changes.                             |
| 19-Dec-2017 | 36       | Updated T <sub>J</sub> value in Table 1: Absolute maximum ratings.   |
| 17-May-2021 | 37       | Removed 12 V options in the document.<br>Updated Figure 15, Figure 16, Figure 17, and Figure 18.                   |
| 10-Jul-2024 | 38       | Updated features, description on the cover page and <a href="#">Table 18</a> .<br>Added <a href="#">Table 15</a> . |

**IMPORTANT NOTICE – PLEASE READ CAREFULLY**

STMicroelectronics NV and its subsidiaries (“ST”) reserve the right to make changes, corrections, enhancements, modifications, and improvements to ST products and/or to this document at any time without notice. Purchasers should obtain the latest relevant information on ST products before placing orders. ST products are sold pursuant to ST’s terms and conditions of sale in place at the time of order acknowledgement.

Purchasers are solely responsible for the choice, selection, and use of ST products and ST assumes no liability for application assistance or the design of Purchasers’ products.

No license, express or implied, to any intellectual property right is granted by ST herein.

Resale of ST products with provisions different from the information set forth herein shall void any warranty granted by ST for such product.



ST and the ST logo are trademarks of ST. For additional information about ST trademarks, please refer to [www.st.com/trademarks](http://www.st.com/trademarks). All other product or service names are the property of their respective owners.

Information in this document supersedes and replaces information previously supplied in any prior versions of this document.





© 2024 STMicroelectronics – All rights reserved

## Looking for pricing, stock, or lifecycle information?

Click below to explore more details on WIN SOURCE:

-  [View LD1086V33-DG on WIN SOURCE](#)
-  [STMicroelectronics](#) Information

## Optimize Your Supply Chain with WIN SOURCE Solutions

-  Global Sourcing Solution
-  Obsolete Management
-  Cost Control Management
-  Shortage Management
-  Alternative Solution
-  Excess Inventory Management