



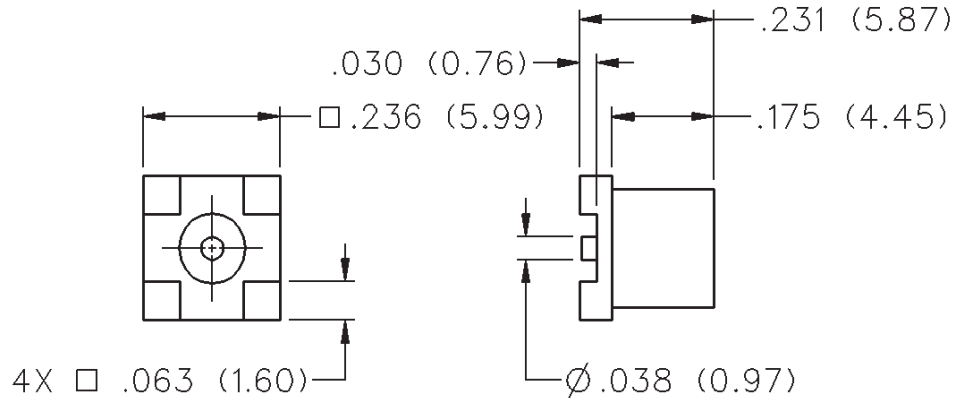
**THE DATASHEET OF**  
**133-3711-202**



# MCX 50 Ohm Straight Jack Receptacle - Surface Mount



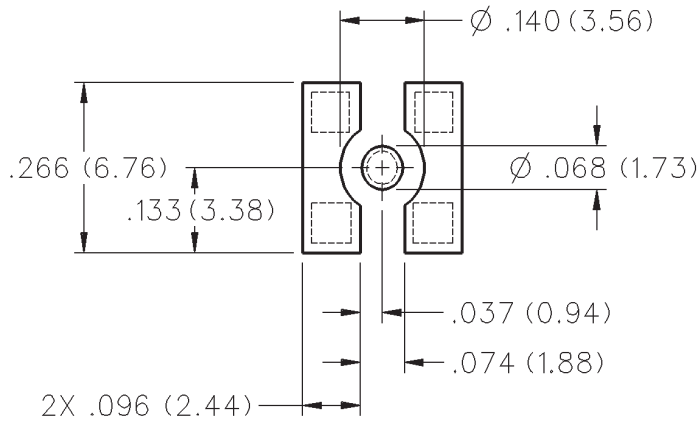
INCHES (MILLIMETERS)  
CUSTOMER DRAWINGS AVAILABLE UPON REQUEST



GOLD PLATED	TIN PLATED	PACKAGING
133-3711-201	133-3711-207	STOCK
133-3711-202	133-3711-208	TAPE AND REEL 750 pcs/reel

Tape and Reel .472 (12.0) component pitch X .630 (16.0) wide.

### Recommended Land Pattern





## Looking for pricing, stock, or lifecycle information?

Click below to explore more details on WIN SOURCE:

- ⊖ [View 133-3711-202 on WIN SOURCE](#)
- ⊖ [Cinch Connectivity Solutions Information](#)

## Optimize Your Supply Chain with WIN SOURCE Solutions

- ✓ Global Sourcing Solution
- ✓ Obsolete Management
- ✓ Cost Control Management
- ✓ Shortage Management
- ✓ Alternative Solution
- ✓ Excess Inventory Management