



**THE DATASHEET OF**  
**1-1337475-0**



THIS DRAWING IS UNPUBLISHED. RELEASED FOR PUBLICATION JAN ,2006.

© COPYRIGHT 2006 BY TYCO ELECTRONICS CORPORATION. ALL RIGHTS RESERVED.

LOC	DIST	REVISIONS					
E	B	P	LTR	DESCRIPTION	DATE	DWN	APVD
		C		ECR-05-017969	09JAN06	JMS	FWK

NOTES:

- 1 PACK IN ACCORDANCE WITH AMP SPEC 107-3275
- 2 100 TRAY PACK IN ACCORDANCE WITH AMP SPEC 107-3275
- 3 Au PLATING

4 ELECTRICAL CHARACTERISTICS

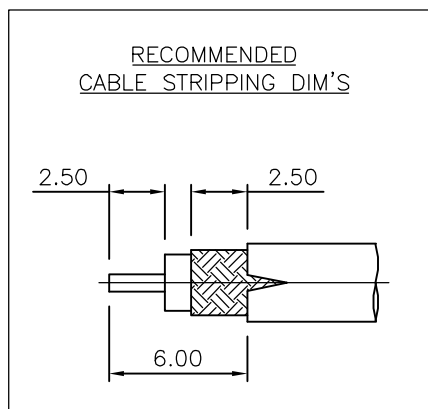
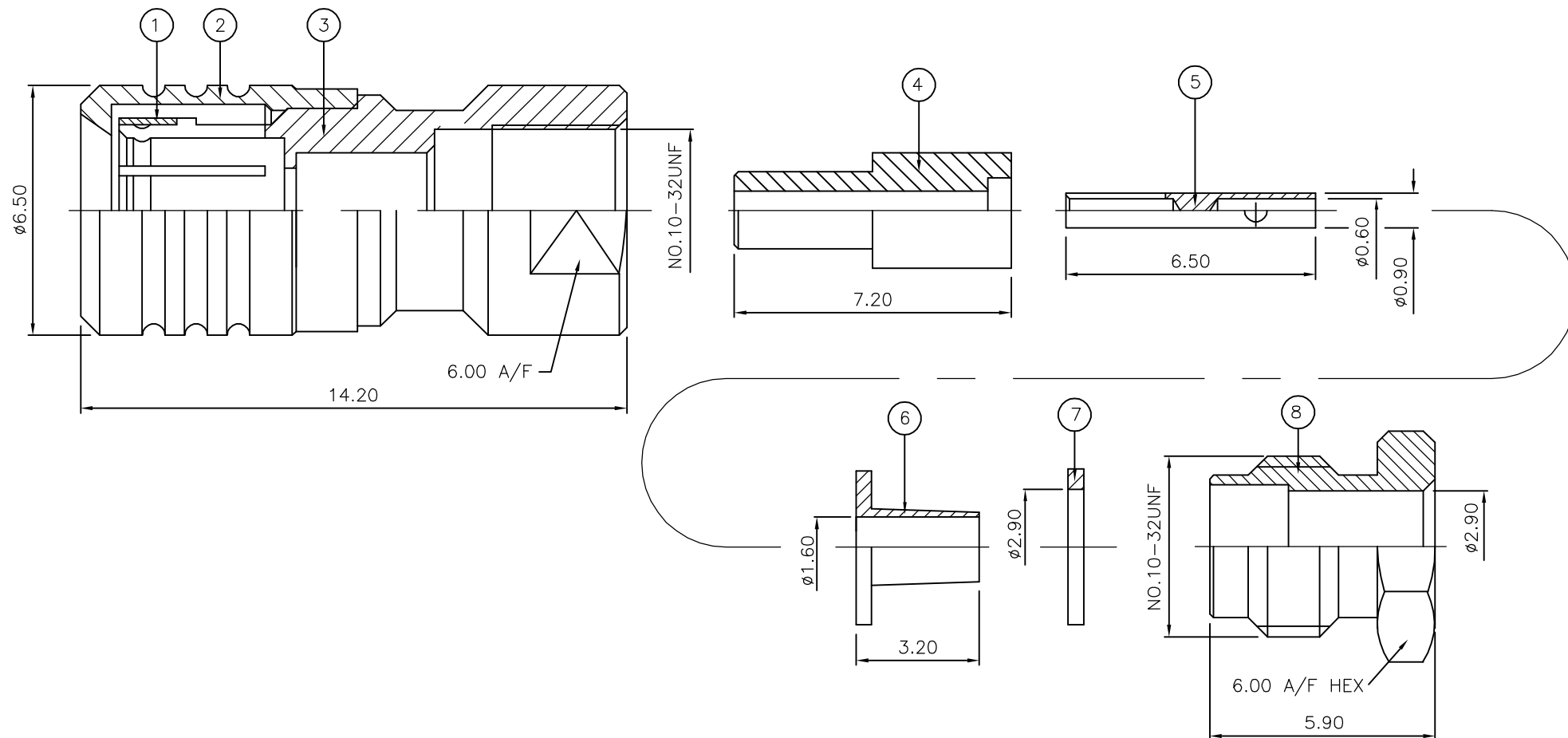
FREQUENCY RANGE: DC - 4 GHz  
 NOMINAL IMPEDANCE: 50 Ohm  
 INSULATION RESISTANCE: 1000 MOhm  
 WORKING VOLTAGE: 250 Volts RMS at Sea Level  
 DIELECTRIC WITHSTAND VOLTAGE: 750 Volts RMS Max  
 CONTACT RESISTANCE:  
 CENTRE CONTACT: 6.00 mOhm Max  
 OUTER CONTACT: 1.00 mOhm Max  
 VSWR @ 3GHz: 1.35:1  
 INSERTION LOSS dB @ x 1.5 GHz: 0.30 Max

5 MECHANICAL CHARACTERISTICS

COUPLING NUT RETENTION FORCE: N/A  
 CABLE RETENTION FORCE:  
 RG174A/U, 188A/U, 316/U, URM95: 85N Min  
 CLAMP NUT RECOMMENDED TORQUE: 0.6N  
 DURABILITY: 500 Cycles Min

6 ENVIRONMENTAL CHARACTERISTICS

OPERATING TEMPERATURE: -65 to +165 DegC



	1	1	BRASS	3	CLAMP NUT	8
	1	1	BRASS	3	WASHER	7
	1	1	BRASS	3	FERRULE	6
	1	1	BERYLLIUM COPPER	3	CONTACT	5
	1	1	PTFE		INSULATION	4
	1	1	BRASS	3	BODY	3
	1	1	BRASS	3	SHELL	2
	1	1	BERYLLIUM COPPER		SPRING	1
	6--0	1--0	MATERIAL		DESCRIPTION	ITEM
QUANTITY PER ASSY			PARTS LIST			

THIS DRAWING IS A CONTROLLED DOCUMENT.		DWN J.SANDWELL 09JAN06	Tyco Electronics Corporation Bideford EX39 4HE													
DIMENSIONS: mm		CHK S.PARLOW 09JAN06														
TOLERANCES UNLESS OTHERWISE SPECIFIED:		APVD F.WHEELER-KING 09JAN06	NAME													
<table border="1"> <tr><td>0 PLC</td><td>± -</td></tr> <tr><td>1 PLC</td><td>± -</td></tr> <tr><td>2 PLC</td><td>± -</td></tr> <tr><td>3 PLC</td><td>± -</td></tr> <tr><td>4 PLC</td><td>± -</td></tr> <tr><td>ANGLES</td><td>± -</td></tr> </table>		0 PLC	± -	1 PLC	± -	2 PLC	± -	3 PLC	± -	4 PLC	± -	ANGLES	± -	PRODUCT SPEC	SMB STRAIGHT PLUG SOLDER 50 OHM RG174/U, 188A/U, 316/U, URM95, KX3B, KX22A	
0 PLC	± -															
1 PLC	± -															
2 PLC	± -															
3 PLC	± -															
4 PLC	± -															
ANGLES	± -															
MATERIAL SEE TABLE		FINISH -	APPLICATION SPEC	RESTRICTED TO												
		WEIGHT -	411-3258	SIZE A3												
		CUSTOMER DRAWING	WHEELER-KING	CAGE CODE 00779												
			SCALE NTS	DRAWING NO 1337475												
			SHEET 1 OF 1	REV C												

## Looking for pricing, stock, or lifecycle information?

Click below to explore more details on WIN SOURCE:

 [View 1-1337475-0 on WIN SOURCE](#)

 [TE Connectivity](#) Information

## Optimize Your Supply Chain with WIN SOURCE Solutions

-  Global Sourcing Solution
-  Obsolete Management
-  Cost Control Management
-  Shortage Management
-  Alternative Solution
-  Excess Inventory Management