



THE DATASHEET OF
1-1337420-0



THIS DRAWING IS UNPUBLISHED.

RELEASED FOR PUBLICATION NOV , 2005.

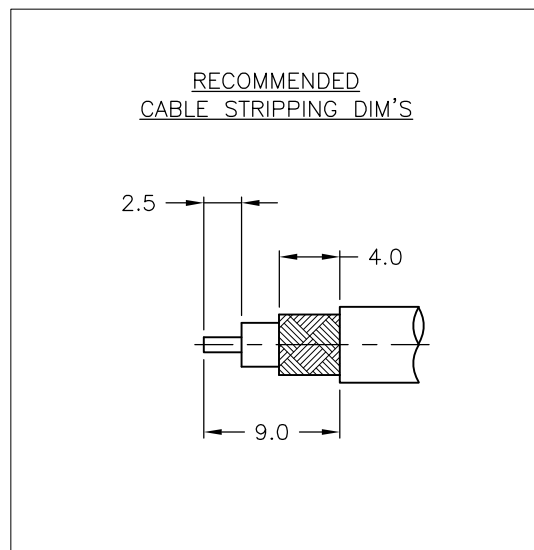
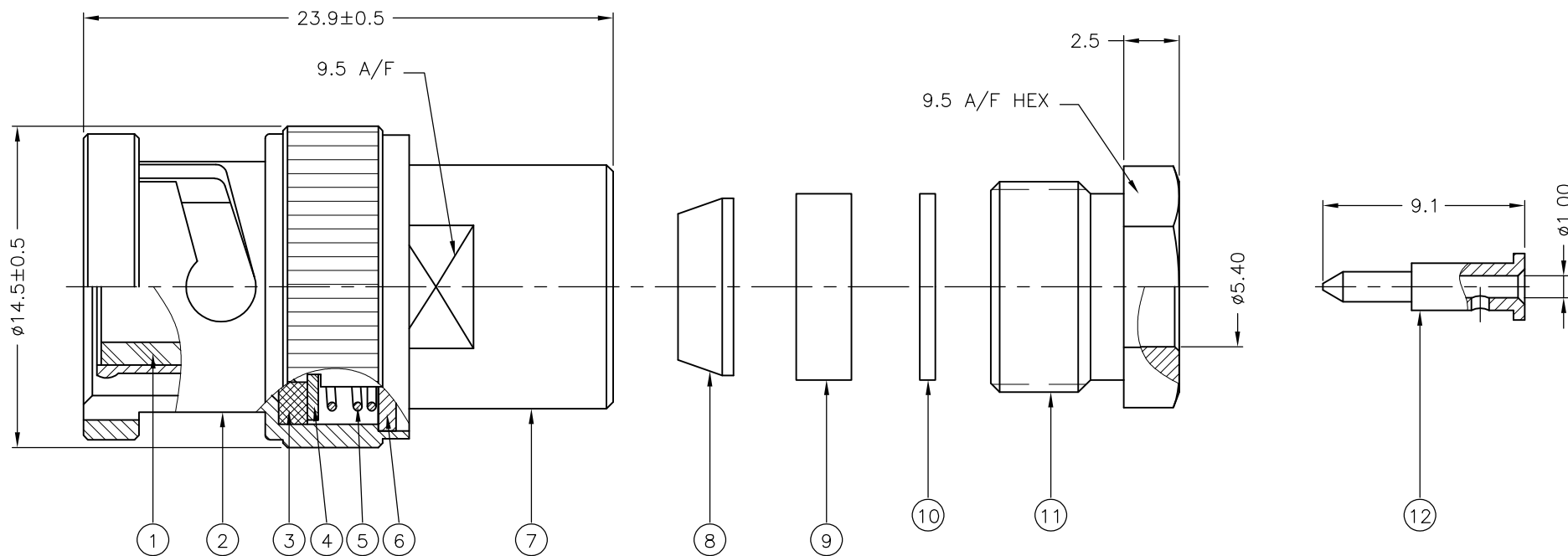
© COPYRIGHT 2005 By -

ALL RIGHTS RESERVED.

LOC	DIST	REVISIONS					
E	B	P	LTR	DESCRIPTION	DATE	DWN	APVD
		D		ECR-14-012910	04SEP2014	RZ	MY

NOTES:

- 1 SINGLE PACKING: ONE CONNECTOR PER LABELED BAG PACKAGED. LABELED PER TEC-107-115
 - 2 TRAY PACKAGED
 - 3 Au PLATING
 - 4 Ni PLATING
 - 5 PASSIVATION
 - 6 THIS ITEM MUST BE WHITE
- 7 ELECTRICAL CHARACTERISTICS
 FREQUENCY RANGE: DC - 4 GHz
 NOMINAL IMPEDANCE: 50 Ohm
 INSULATION RESISTANCE: 5000 MOhm
 WORKING VOLTAGE: 500 Volts RMS at Sea Level
 DIELECTRIC WITHSTAND VOLTAGE: 1500 Volts RMS Max
 CONTACT RESISTANCE:
 CENTER CONTACT: 1.50 mOhm Max
 OUTER CONTACT: 1.00 mOhm Max
 VSWR @ 4GHz: 1.30:1 Max
 INSERTION LOSS dB @ 3 GHz: 0.20 Max
- 8 MECHANICAL CHARACTERISTICS
 COUPLING NUT RETENTION FORCE: 266 N Min
 CABLE RETENTION FORCE: 128 N Min
 CLAMP NUT RECOMMENDED TORQUE: 4 Nm
 DURABILITY: 500 Cycles Min
- 9 ENVIRONMENTAL CHARACTERISTICS
 OPERATING TEMPERATURE: -65 to +165 DegC



QTY	QTY PER ASSY	MATERIAL	DESCRIPTION	ITEM
1	1	BRASS	CONTACT	12
1	1	BRASS	CLAMP NUT	11
1	1	BRASS	WASHER	10
1	1	SILICON RUBBER	GASKET	9
1	1	BRASS	SLEEVE	8
1	1	BRASS	BODY	7
1	1	BRASS	WASHER	6
1	1	STAINLESS STEEL	SPRING	5
1	1	PHOSPHOR BRONZE	WASHER	4
1	1	SILICON RUBBER	GASKET	3
1	1	BRASS	COLLAR	2
1	1	PTFE	DIELECTRIC	1
6--0	1--0	MATERIAL	DESCRIPTION	ITEM

THIS DRAWING IS A CONTROLLED DOCUMENT.		DWN	J.SANDWELL	18NOV05
DIMENSIONS: mm		CHK	S.PARLOW	18NOV05
TOLERANCES UNLESS OTHERWISE SPECIFIED:		APVD	F.WHEELER-KING	18NOV05
0 PLC	± -	PRODUCT SPEC		
1 PLC	± 0.2	108-112000		
2 PLC	± 0.1	APPLICATION SPEC		
3 PLC	± -	411-3252		
4 PLC	± -	WEIGHT -		
ANGLES	± -	CUSTOMER DRAWING		
MATERIAL	FINISH -	SCALE NTS		
SEE TABLE		SHEET 1 OF 1		
		REV D		

NAME: BNC STRAIGHT PLUG SOLDER 50 OHM
 RG58C/U, 141A/U, URM43, 76, BELDEN 9907,KX15

SIZE: A3 CAGE CODE: 00779 DRAWING NO: C-1337420 RESTRICTED TO: -

Looking for pricing, stock, or lifecycle information?

Click below to explore more details on WIN SOURCE:

 [View 1-1337420-0 on WIN SOURCE](#)

 [TE Connectivity](#) Information

Optimize Your Supply Chain with WIN SOURCE Solutions

-  Global Sourcing Solution
-  Obsolete Management
-  Cost Control Management
-  Shortage Management
-  Alternative Solution
-  Excess Inventory Management