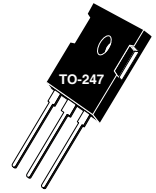
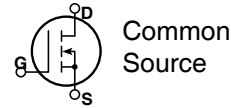




**THE DATASHEET OF
ARF463AP1G**





RF POWER MOSFETs

N-CHANNEL ENHANCEMENT MODE

125V 100W 100MHz

The ARF463AP1 and ARF463BP1 comprise a symmetric pair of common source RF power transistors designed for push-pull scientific, commercial, medical and industrial RF power amplifier applications up to 100MHz. They have been optimized for both linear and high efficiency classes of operation.

- Specified 125 Volt, 81.36MHz Characteristics:
 - Output Power = 100 Watts.
 - Gain = 15dB (Class AB)
 - Efficiency = 75% (Class C)
- Low Cost Common Source RF Package.
 - Low Vth thermal coefficient.
 - Low Thermal Resistance.
 - Optimized SOA for Superior Ruggedness.


MAXIMUM RATINGS

 All Ratings: $T_C = 25^\circ\text{C}$ unless otherwise specified.

Symbol	Parameter	ARF463A_BP1(G)	UNIT
V_{DSS}	Drain-Source Voltage	500	Volts
V_{DGO}	Drain-Gate Voltage	500	
I_D	Continuous Drain Current @ $T_C = 25^\circ\text{C}$	9	Amps
V_{GS}	Gate-Source Voltage	± 30	Volts
P_D	Total Power Dissipation @ $T_C = 25^\circ\text{C}$	180	Watts
$R_{\theta JC}$	Junction to Case	0.70	$^\circ\text{C/W}$
T_J, T_{STG}	Operating and Storage Junction Temperature Range	-55 to 150	$^\circ\text{C}$
T_L	Lead Temperature: 0.063" from Case for 10 Sec.	300	

STATIC ELECTRICAL CHARACTERISTICS

Symbol	Characteristic / Test Conditions	MIN	TYP	MAX	UNIT
BV_{DSS}	Drain-Source Breakdown Voltage ($V_{GS} = 0V, I_D = 250 \mu\text{A}$)	500			Volts
$V_{DS(ON)}$	On State Drain Voltage ^① ($I_D(ON) = 4.5A, V_{GS} = 10V$)			5.0	
I_{DSS}	Zero Gate Voltage Drain Current ($V_{DS} = V_{DSS}, V_{GS} = 0V$)			25	μA
	Zero Gate Voltage Drain Current ($V_{DS} = 0.8 V_{DSS}, V_{GS} = 0V, T_C = 125^\circ\text{C}$)			250	
I_{GSS}	Gate-Source Leakage Current ($V_{GS} = \pm 30V, V_{DS} = 0V$)			± 100	nA
g_{fs}	Forward Transconductance ($V_{DS} = 25V, I_D = 4.5A$)	2	3	4	mhos
$V_{GS(TH)}$	Gate Threshold Voltage ($V_{DS} = V_{GS}, I_D = 50mA$)	3		5	Volts

 **CAUTION:** These Devices are Sensitive to Electrostatic Discharge. Proper Handling Procedures Should Be Followed.

DYNAMIC CHARACTERISTICS

ARF463A_BP1(G)

Symbol	Characteristic	Test Conditions	MIN	TYP	MAX	UNIT
C_{iss}	Input Capacitance	$V_{GS} = 0V$ $V_{DS} = 50V$ $f = 1\text{ MHz}$		670		pF
C_{oss}	Output Capacitance			120		
C_{rss}	Reverse Transfer Capacitance			50		
$t_{d(on)}$	Turn-on Delay Time	$V_{GS} = 15V$ $V_{DD} = 0.5 V_{DSS}$ $I_D = I_{D[Cont.]} @ 25^\circ C$ $R_G = 1.6\Omega$		5.6		ns
t_r	Rise Time			4.3		
$t_{d(off)}$	Turn-off Delay Time			13.5		
t_f	Fall Time			4.2		

FUNCTIONAL CHARACTERISTICS

Symbol	Characteristic	Test Conditions	MIN	TYP	MAX	UNIT
G_{PS}	Common Source Amplifier Power Gain	$f = 81.36\text{ MHz}$	13	15		dB
η	Drain Efficiency	$V_{GS} = 0V$ $V_{DD} = 125V$	70	75		%
ψ	Electrical Ruggedness VSWR 10:1	$P_{out} = 100W$	No Degradation in Output Power			

① Pulse Test: Pulse width < 380 μ S, Duty Cycle < 2%

APT Reserves the right to change, without notice, the specifications and information contained herein.

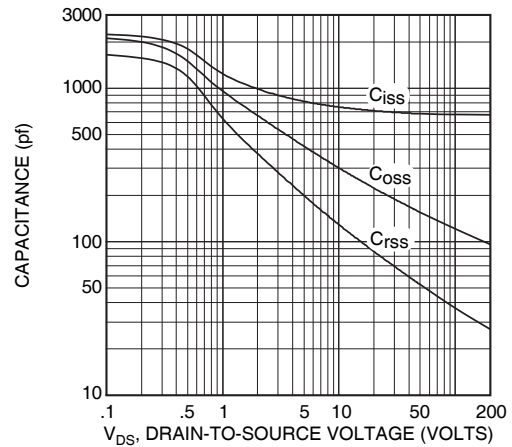


Figure 2, Typical Capacitance vs. Drain-to-Source Voltage

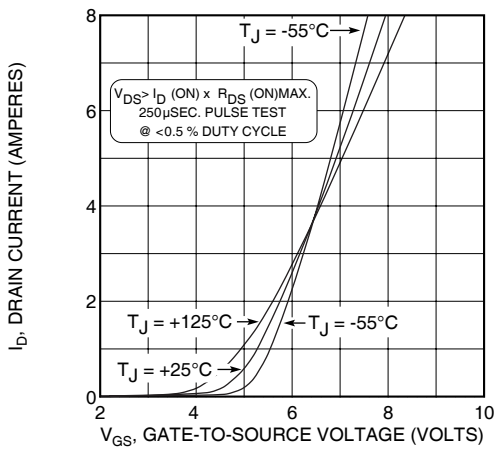


Figure 3, Typical Transfer Characteristics

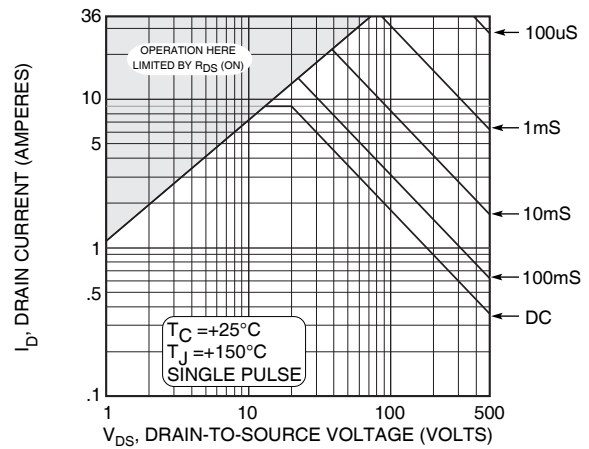


Figure 4, Typical Maximum Safe Operating Area

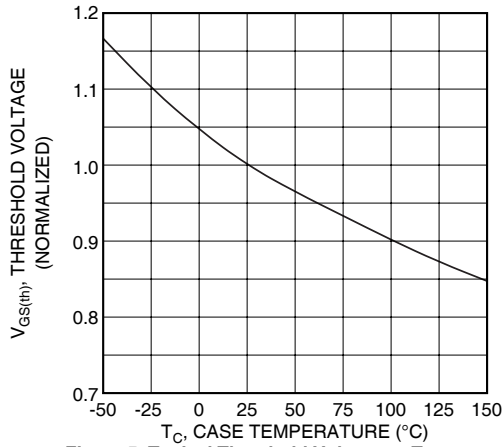


Figure 5, Typical Threshold Voltage vs Temperature

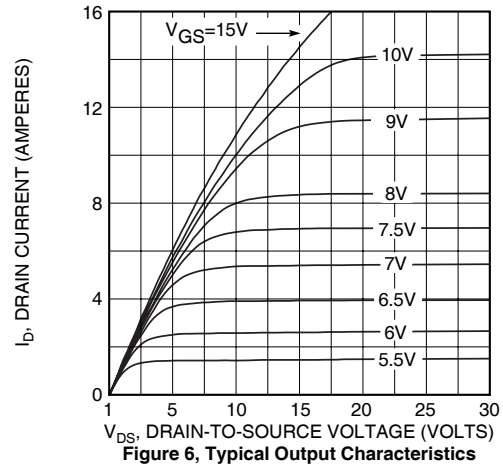


Figure 6, Typical Output Characteristics

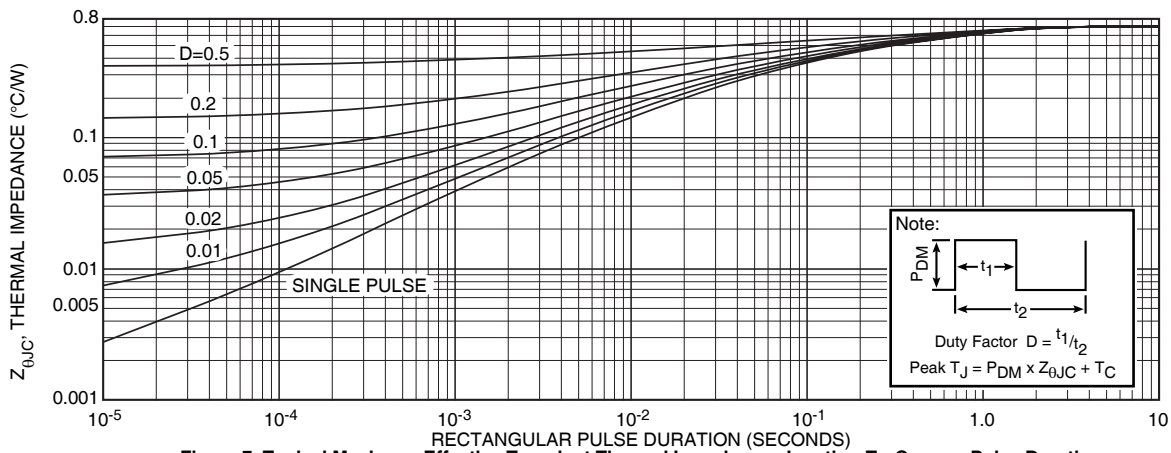


Figure 7, Typical Maximum Effective Transient Thermal Impedance, Junction-To-Case vs Pulse Duration

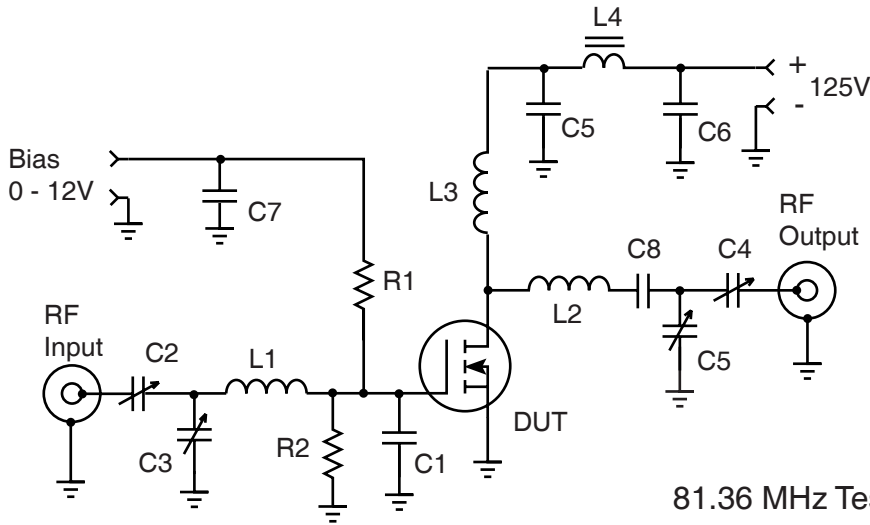
Table 1 - Typical Class AB Large Signal Input - Output Impedance

Freq. (MHz)	Z _{in} (Ω)	Z _{OL} (Ω)
2.0	24 - j 5.0	55 - j 4.8
13.5	7.8 - j 11	41 - j 24
27	2.1 - j 6.4	23 - j 26.2
40	.74 - j 3.3	13.6 - j 22
65	.30 + j .42	6.1 - j 14.2
80	.46 + j 2.0	4.2 - j 10.7
100	.87 + j 3.7	2.7 - j 7.1

Z_{in} - Gate shunted with 25Ω

I_{DQ} = 50mA

Z_{OL} - Conjugate of optimum load for 100 Watts output at V_{DD} = 125V

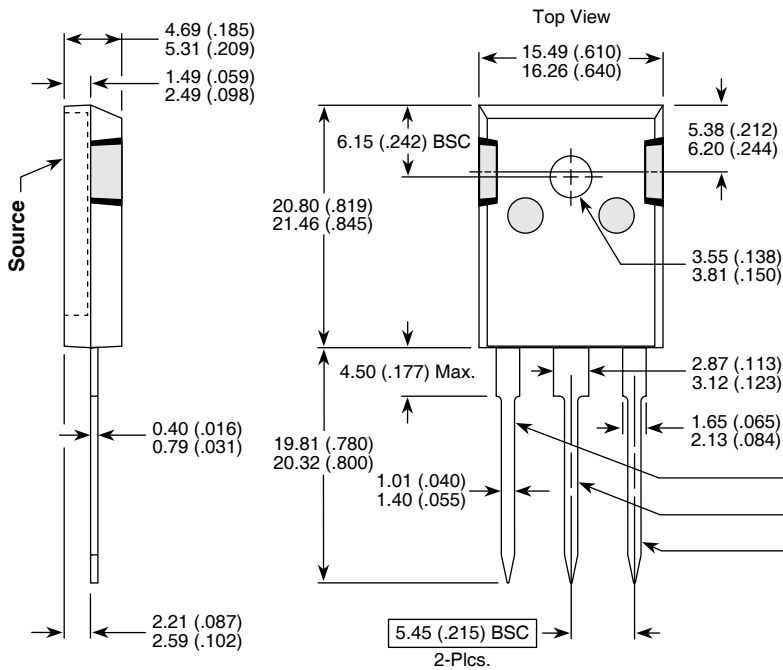


- C1 -- 820pF Unelco mounted at gate lead
- C2-C5 -- Arco 463 Mica trimmer
- C5-C8 -- 10nF 500V COG chip
- L1 -- 3t #18 .3" ID .25"L ~50nH
- L2 -- 3t #16 AWG .25" ID .3"L ~58nH
- L3 -- 10t #18 AWG .25 ID ~470nH
- L4 -- VK200-4B ferrite choke ~3uH
- R1-R2 -- 50 Ohm 1/2W Carbon
- DUT = ARF463A/B

81.36 MHz Test Circuit

TO-247 Package Outline

Ⓜ3 100% Sn Plated



Dimensions in Millimeters and (Inches)
NOTE: These two parts comprise a symmetric pair of RF power transistors and meet the same electrical specifications. The device pin-outs are the mirror image of each other to allow ease of use as a push-pull pair.

Device	
ARF - AP1	ARF - BP1
Gate	Drain
Source	Source
Drain	Gate

Looking for pricing, stock, or lifecycle information?

Click below to explore more details on WIN SOURCE:

 [View ARF463AP1G on WIN SOURCE](#)

 [Microchip Technology](#) Information

Optimize Your Supply Chain with WIN SOURCE Solutions

-  Global Sourcing Solution
-  Obsolete Management
-  Cost Control Management
-  Shortage Management
-  Alternative Solution
-  Excess Inventory Management