



THE DATASHEET OF SMP-MSLD-PCR



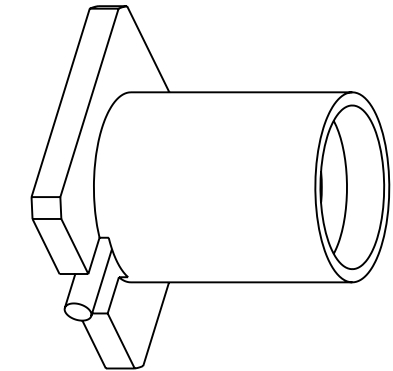
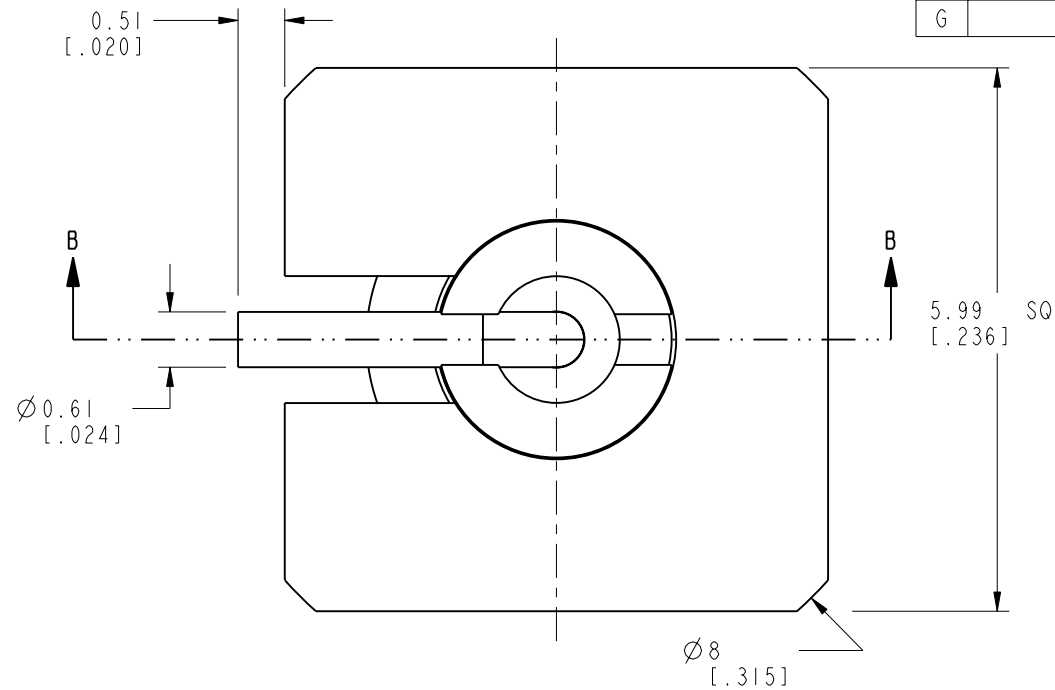
NOTES:

1. MATERIALS AND FINISHES:
 - BODY - BRASS, GOLD PLATING, .000030 INCH [0.0008 MM] THICK OVER COPPER
 - CONTACT - BERYLLIUM COPPER, GOLD PLATING, .000030 INCH [0.0008 MM] THICK OVER COPPER
 - INSULATOR - PEEK OR LCP, NATURAL
2. ELECTRICAL:
 - A. IMPEDANCE: 50 OHM
 - B. FREQUENCY RANGE: DC - 12 GHz
 - C. VSWR(RETURN LOSS): 1.10 (26 dB), MAX. DC-6GHz
1.20 (21 dB), MAX. 6-12GHz
 - D. DIELECTRIC WITHSTANDING VOLTAGE: 500 VRMS, MIN.
3. PHYSICAL:
 - A. DURABILITY: 500 CYCLES MIN.
 - B. ENGAGEMENT FORCE: 10 LB [45 N] MAX
 - C. DISENGAGEMENT FORCE: 2 LB [9 N] MIN
 - D. INNER CONTACT RETENTION FORCE: 1.5 LB [7 N] MIN
 - E. TEMPERATURE RANGE: -65° C TO 165° C
 - F. INSULATOR MATERIAL RATED TO UL94 V-0
4. PACKAGING:
 - A. TRAY PACK
 - B. MARKING: AMPHENOL, SMP-MSLD-PCR, DATE CODE

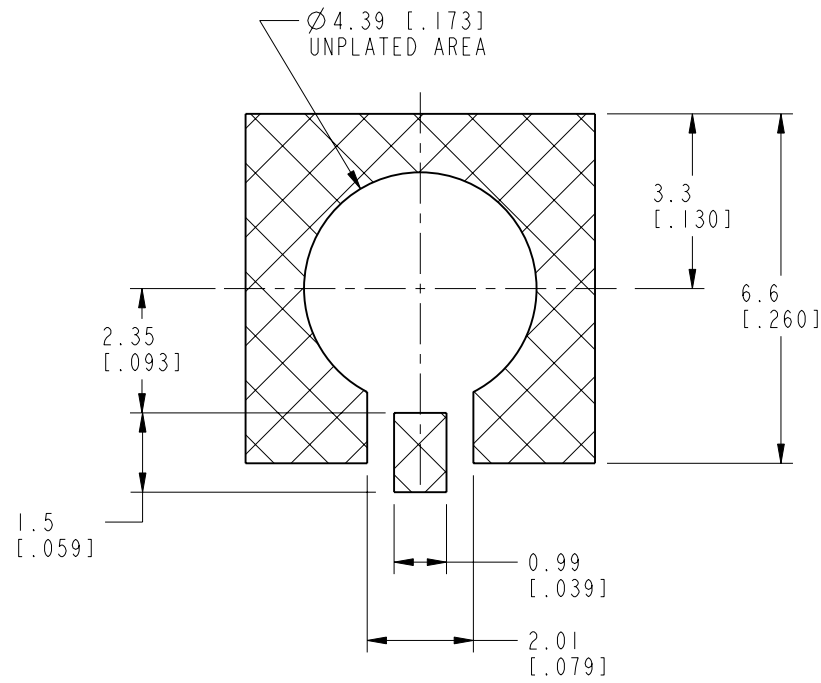
THIRD ANGLE PROJ.

REVISIONS

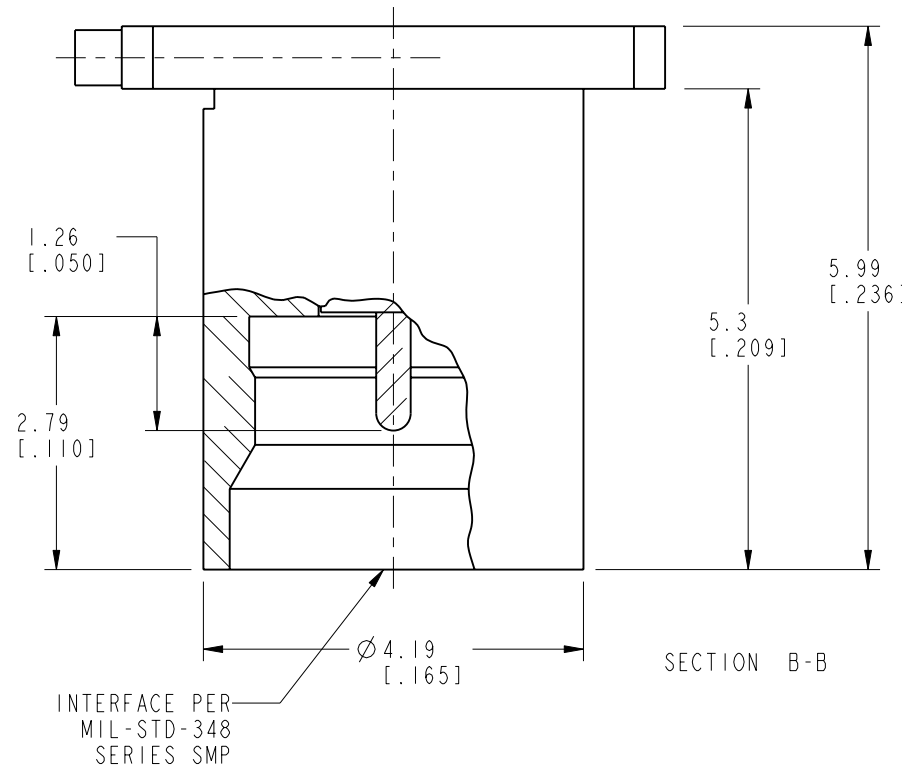
REV	DESCRIPTION	DATE	ECO	APPR
A	RELEASE TO MFG	9/12/05	45722	MY
E	ADDED UL RATING FOR INSULATOR MATERIAL	28-Jul-11	47682	SH
F	TRAY PACK WAS SINGLE PACK	13-Nov-17	05762	SV
G	"Ø4.19" WAS "Ø4.14"	30-Jan-18	06681	SH



SCALE 6.000



RECOMMENDED PCB PAD LAYOUT
SCALE 7.000



SECTION B-B

CUSTOMER OUTLINE DRAWING
ALL OTHER SHEETS ARE FOR INTERNAL USE ONLY

UNLESS OTHERWISE SPECIFIED, DIMENSIONS ARE IN METRIC AND TOLERANCES ARE:
 <0.5mm ±0.05mm 0.5 - 6mm ±0.1mm 6 - 30mm ±0.2mm 30 - 120mm ±0.3mm ANGLES ±1°

NOTICE - These drawings, specifications, or other data (1) are, and remain the property of Amphenol corp. (2) must be returned upon request; and (3) are confidential and not to be disclosed to any person other than those to whom they are given by Amphenol Corp. the furnishing of these drawings, specifications, or other data by Amphenol Corp., or to any other person to anyone for any purpose is not to be regarded by implication or otherwise in any manner licensing, granting rights to permitting such holder or any other person to manufacture, use or sell any product, process or design, patented or otherwise, that may in any way be related to or disclosed by said drawings, specifications, or other data.



MATERIAL	DRAWN M. ZHANG	DATE 30-Jan-18
REFERENCE GEN# ASSYM2-SMP EAR# 283 615X-1690-100 CONFIGURATION LEVEL:	ENGINEER OWEN BARTHELMES	DATE 25-Apr-01
FINISH	APPROVED S. HSIEH	DATE 30-Jan-18
	CAD FILE	

TITLE ASSEMBLY, PC BOARD, REAR MOUNT LIMITED DETENT	DWG SIZE B	REV G
SCALE: 12.0:1.0	SHEET 2 OF 2	

Amphenol RF www.amphenolrf.com	
DRAWING NO.	SMP-MSLD-PCR
ITEM NO.	SMP-MSLD-PCR
PART NO.	SMP-MSLD-PCR

Looking for pricing, stock, or lifecycle information?

Click below to explore more details on WIN SOURCE:

-  [View SMP-MSLD-PCR on WIN SOURCE](#)
-  [Amphenol Information](#)

Optimize Your Supply Chain with WIN SOURCE Solutions

-  Global Sourcing Solution
-  Obsolete Management
-  Cost Control Management
-  Shortage Management
-  Alternative Solution
-  Excess Inventory Management