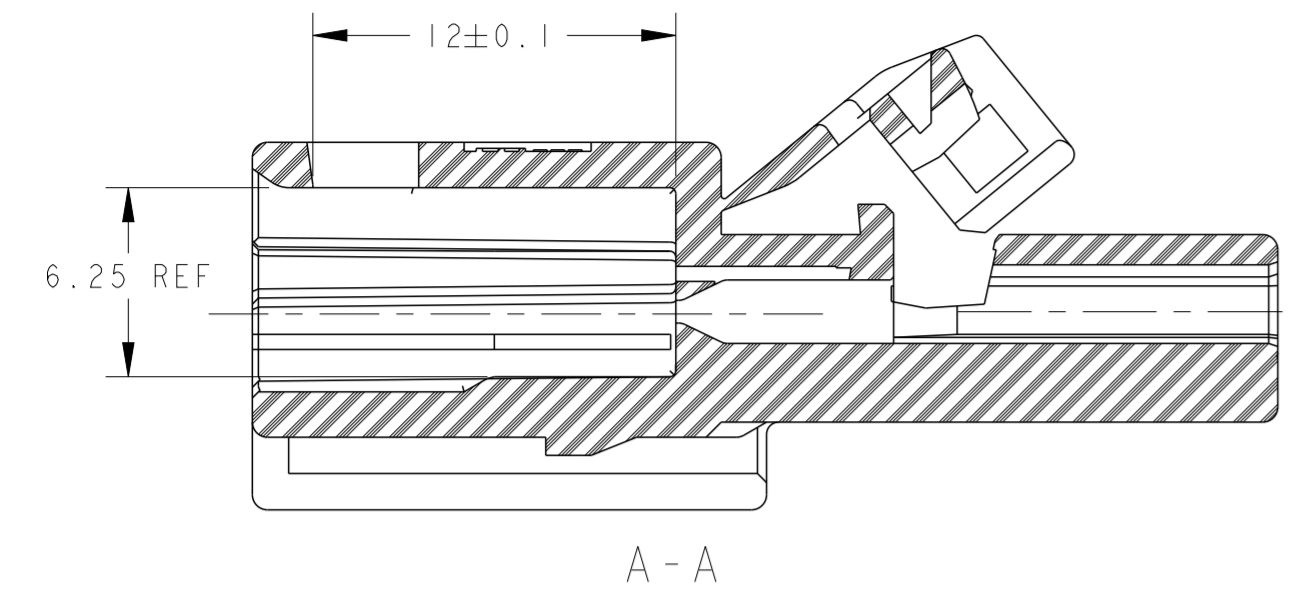


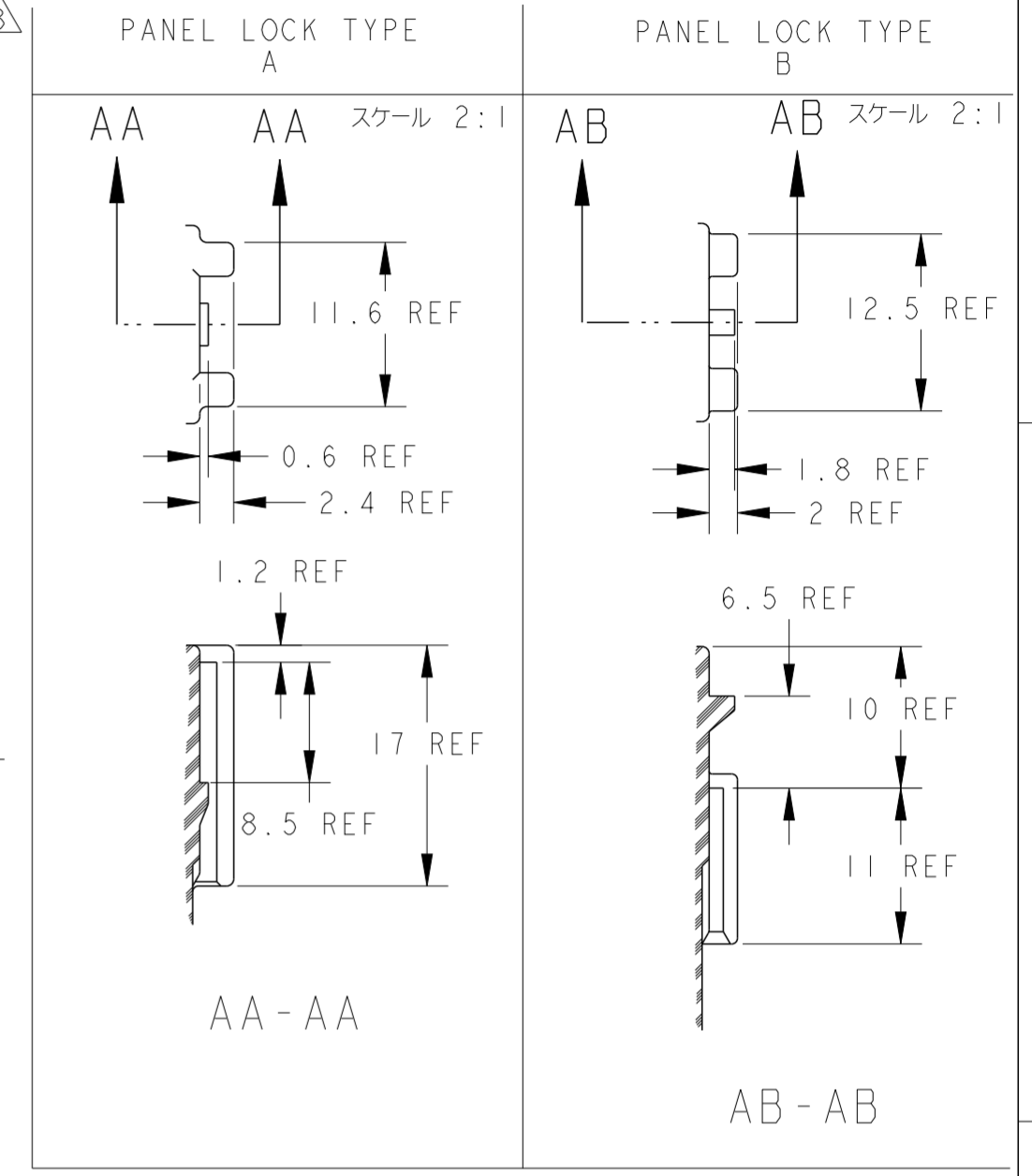
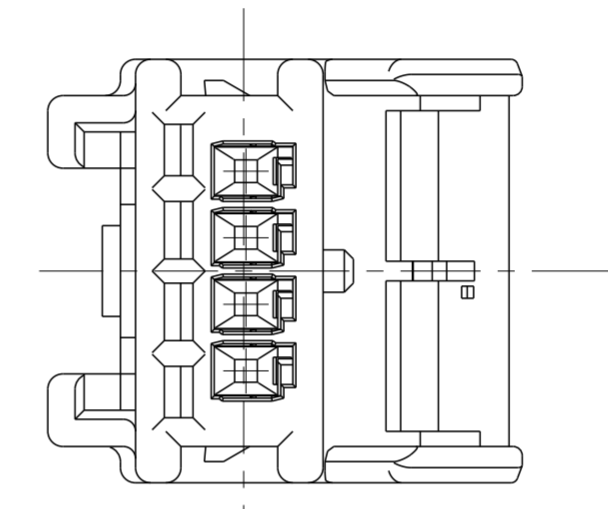
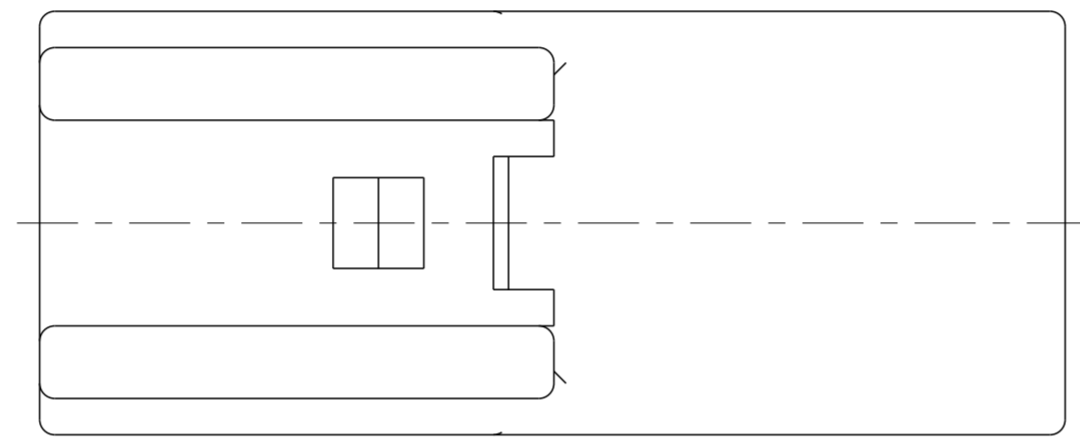
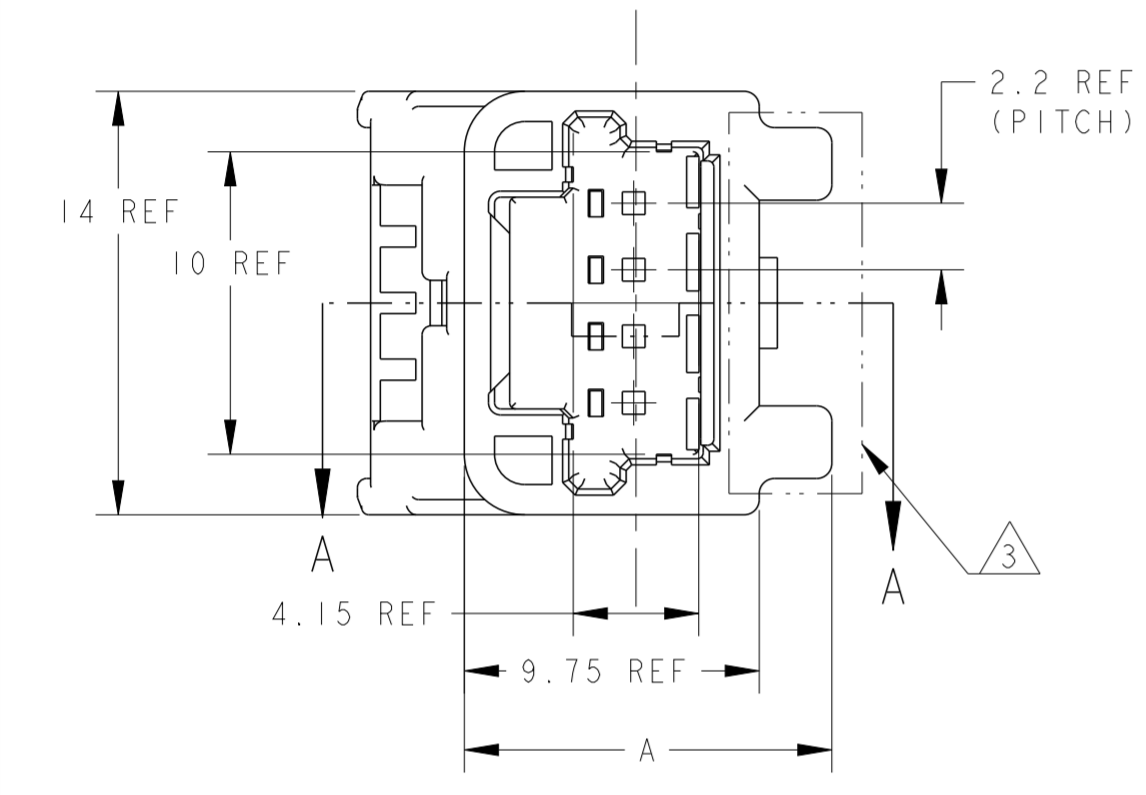
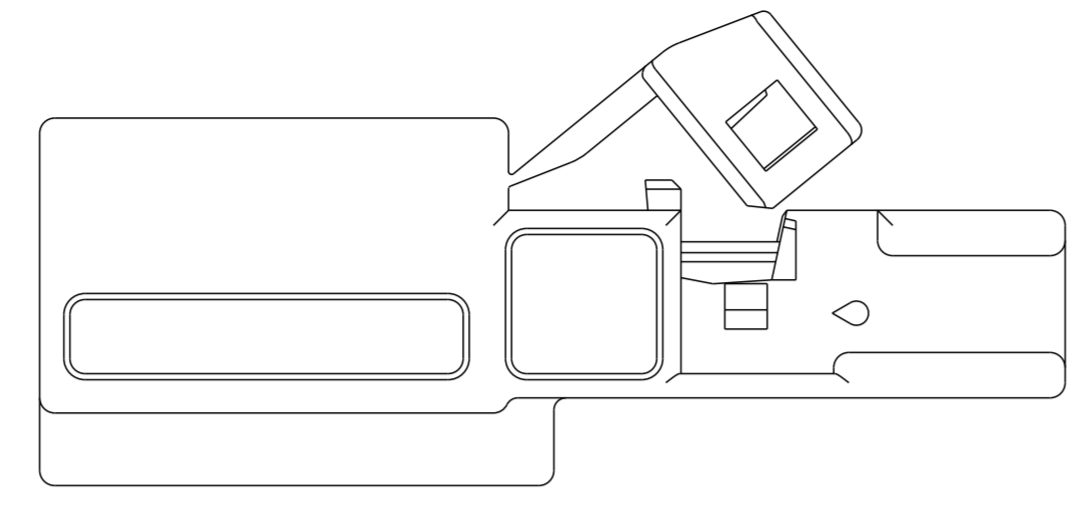
THIS DRAWING IS UNPUBLISHED. RELEASED FOR PUBLICATION 2002.11.1
 © COPYRIGHT 2002.11.1 ALL RIGHTS RESERVED.

LOC		DIST		REVISIONS			
P	LTR	DESCRIPTION		DATE	DWN	APVD	
P		REVISED PER ECO-11-005140		02APR2011	RK	HMR	
R		REVISED PER ECR-24-210758		10JUN2024	SH	HK	

AS SHOWN REVISION R, -1

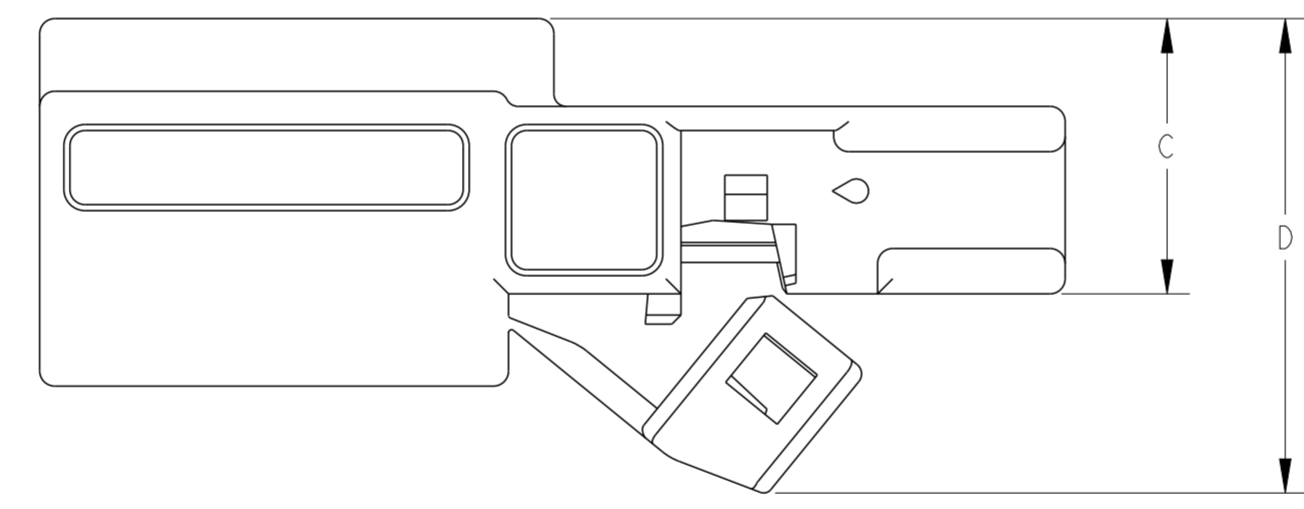


A-A



AA-AA

AB-AB

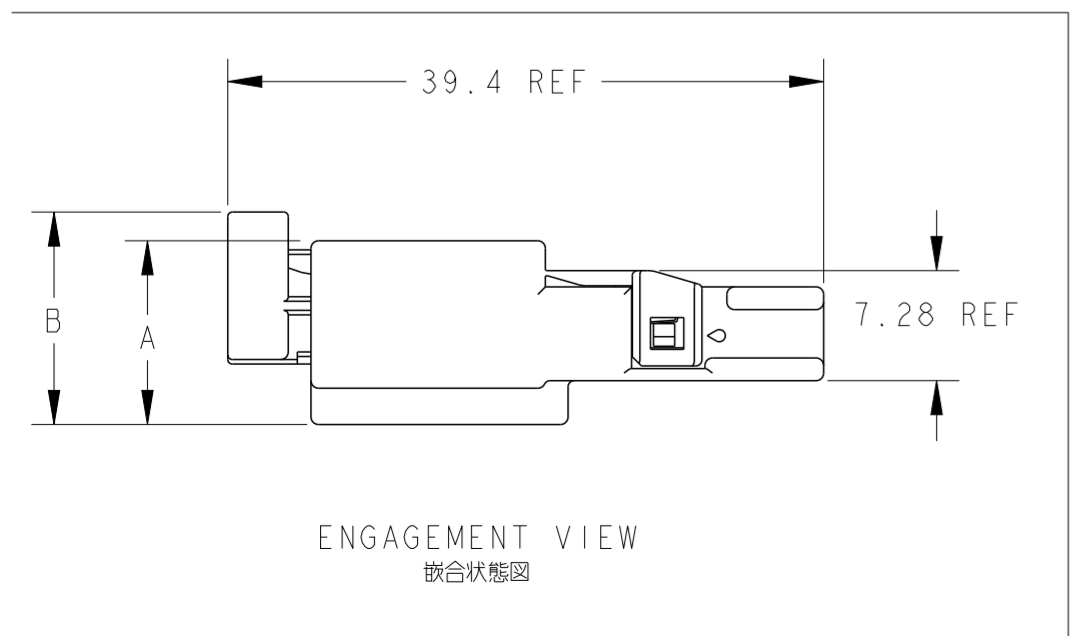


PART NO.	DIMENSION A 寸法 A	DIMENSION B 寸法 B	DIMENSION C 寸法 C	DIMENSION D 寸法 D
1612035-1	12.15 REF	14.05 REF	9.1 REF	15.7 REF
1612035-2	11.75 REF	13.65 REF	8.7 REF	15.3 REF

1. 嵌合相手品番; 1473672-1
2. 適用端子及び適用電線はTABLE-1参照
- △. 本品には、2種類のパネルロック形状がある
4. 取扱説明書NO. 411-78050

1. PART NUMBER OF PLUG HOUSING; 1473672-1
2. APPLICABLE TERMINAL AND WIRE RANGE; REFER TO TABLE-1
- △. PANEL LOCK VARIATIONS
4. INSTRUCTION SHEET NO. 411-78050

PACKING STYLE	COLOR	PANEL LOCK TYPE	PART NUMBER
PAPER BOX ダンボール箱	NATURAL	B	1612035-2
PLASTIC BAG ビニール袋	NATURAL	A	1612035-1
OUTER 外装	INNER 内装	PANEL LOCK TYPE パネルロック △	PART NUMBER 型番



ENGAGEMENT VIEW
嵌合状態図

TABLE - 1

TERMINAL	FINISH	APPLICABLE WIRE RANGE
1674742-1	TIN	AVSS/AVSSH-f CAVS/CAVUS 0.3~0.5mm ²

THIS DRAWING IS A CONTROLLED DOCUMENT.

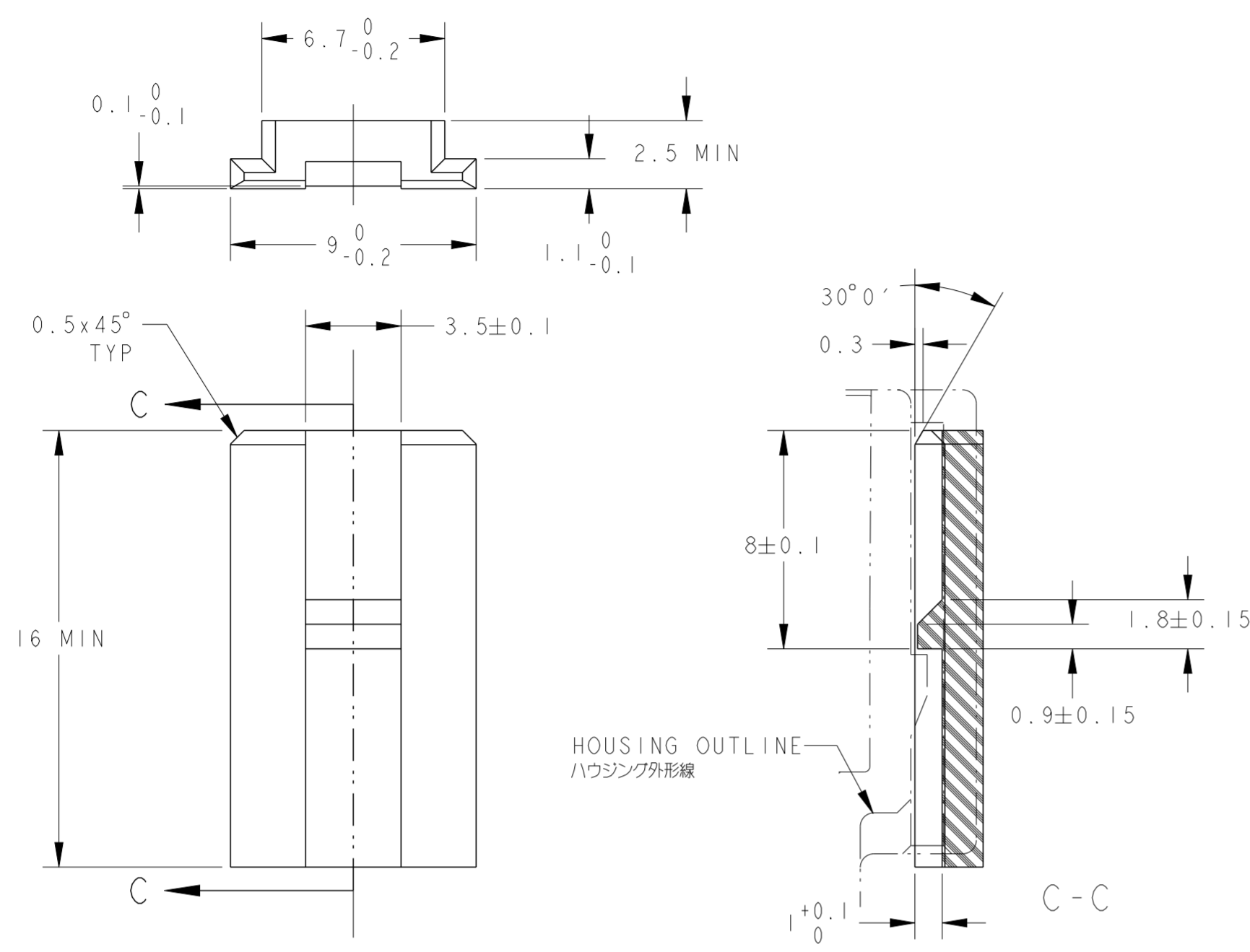
DIMENSIONS: 単位: 尺 mm	TOLERANCES UNLESS OTHERWISE SPECIFIED: 一般公差 ±0.3 0-PLC ± 1-PLC ± 2-PLC ± 3-PLC ± 4-PLC ± ANGLES ±3°00'	DWN N. YASUDA 29OCT02 CHK T. KOHNO 29OCT02 APVD N. SAI 29OCT02	NAME 025G W-W CONNECTOR 4POS CAP HOUSING
MATERIAL 材料 PBT	FINISH 仕上 SEE TABLE	PRODUCT SPEC 108-5787 APPLICATION SPEC 取付適用規格 114-5340	SIZE CAGE CODE DRAWING NO A200779 C-1612035
CUSTOMER DRAWING		WEIGHT 3.1 g	RESTRICTED TO

SCALE 4:1 SHEET 1 OF 2 REV R

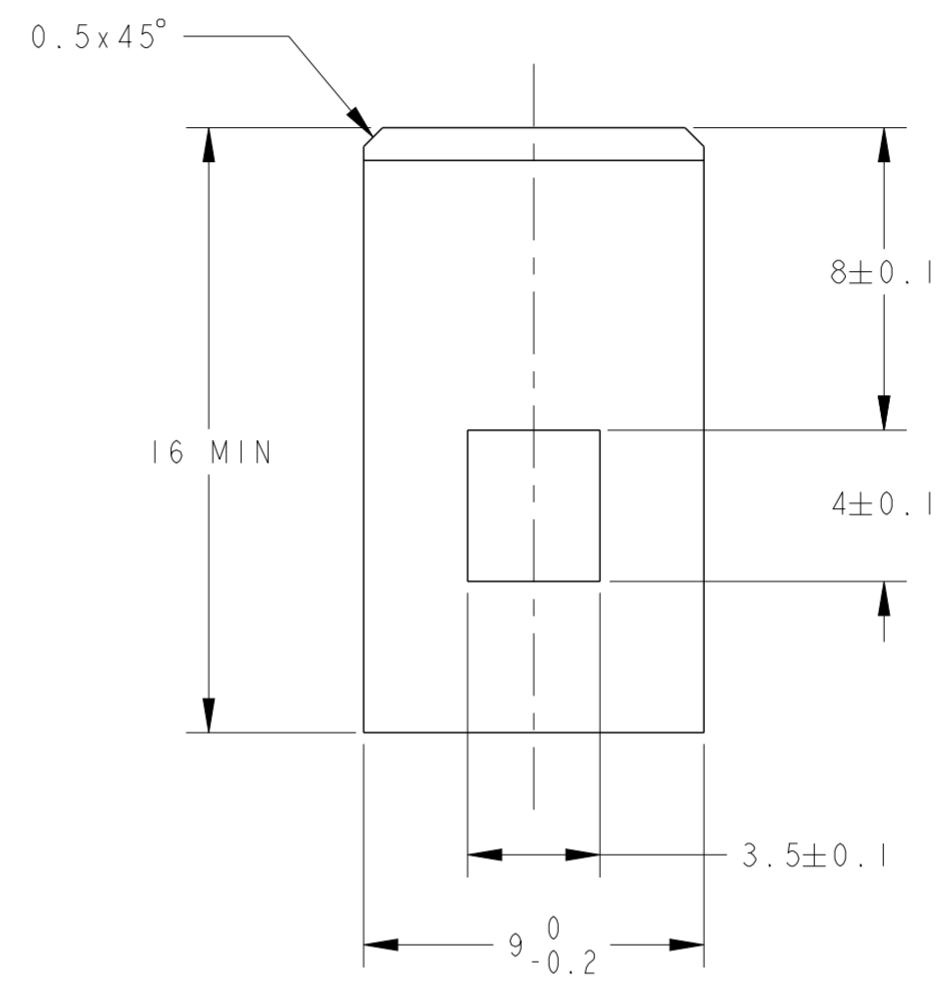
THIS DRAWING IS UNPUBLISHED. RELEASED FOR PUBLICATION 2002.11.1
 © COPYRIGHT 2002.11.1 ALL RIGHTS RESERVED.

LOC		DIST		REVISIONS			DATE	DWN	APVD
P	LTR	DESCRIPTION							
-	-	SEE SHEET 1			-	-	-	-	-

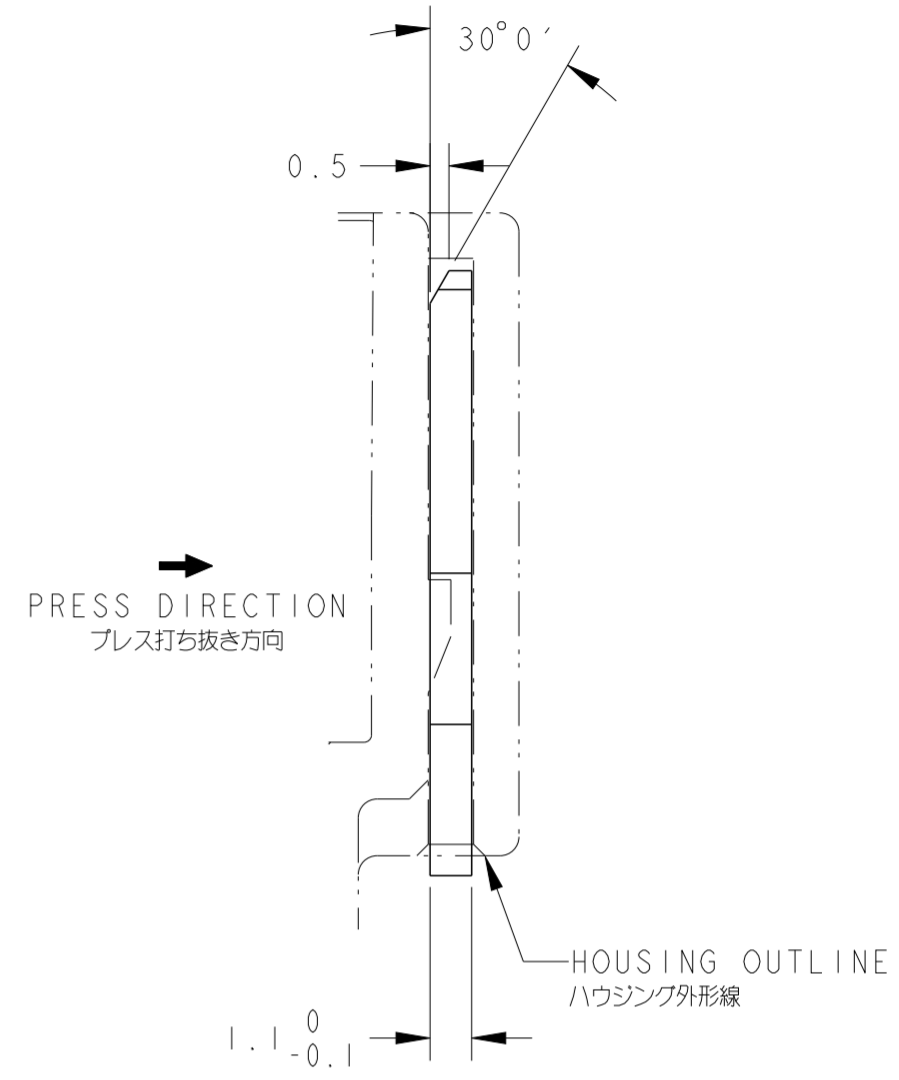
MATING TO PANEL LOCK A



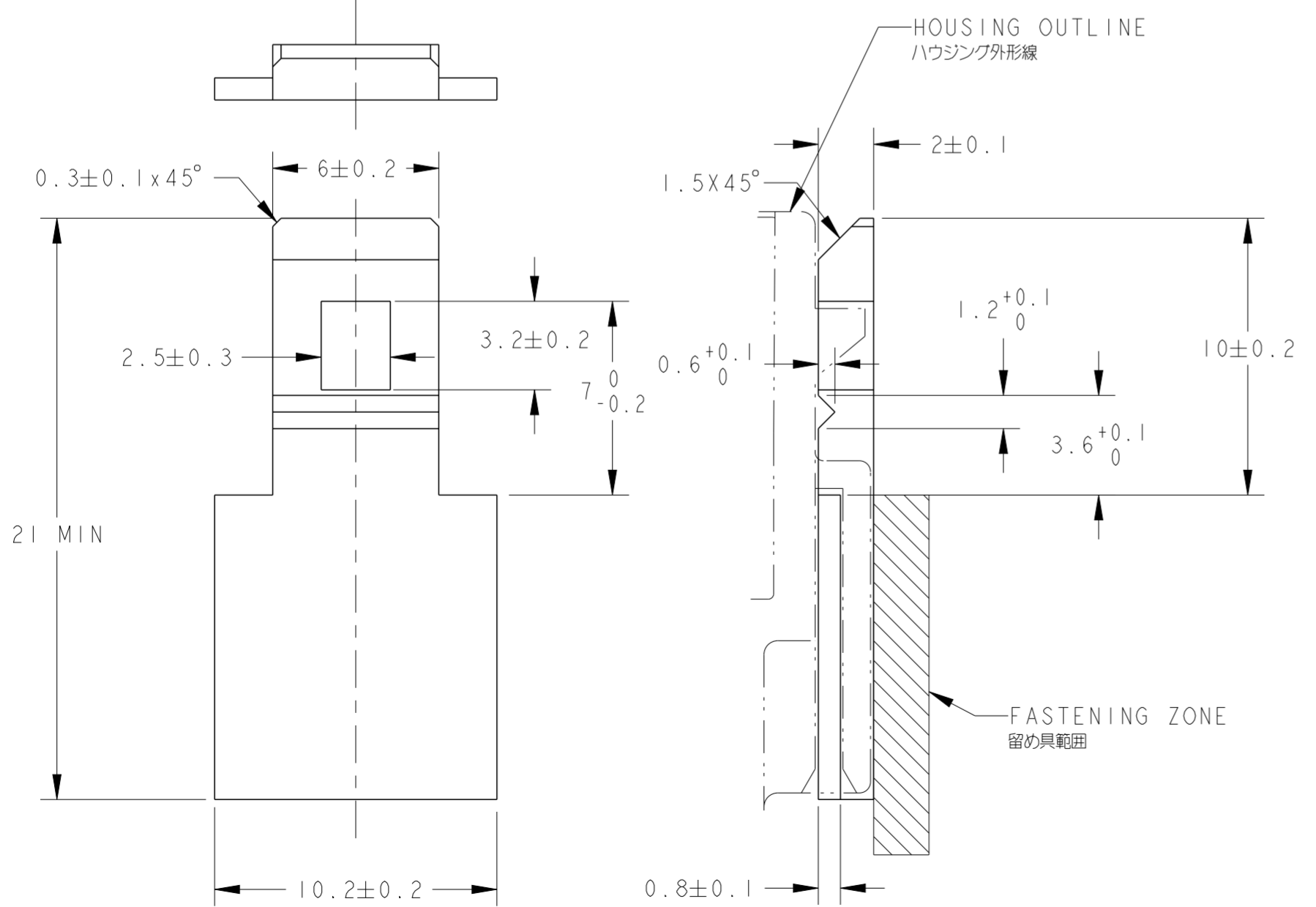
MATERIAL: PLASTIC 材料: 樹脂



MATERIAL: METAL 材料: 金属

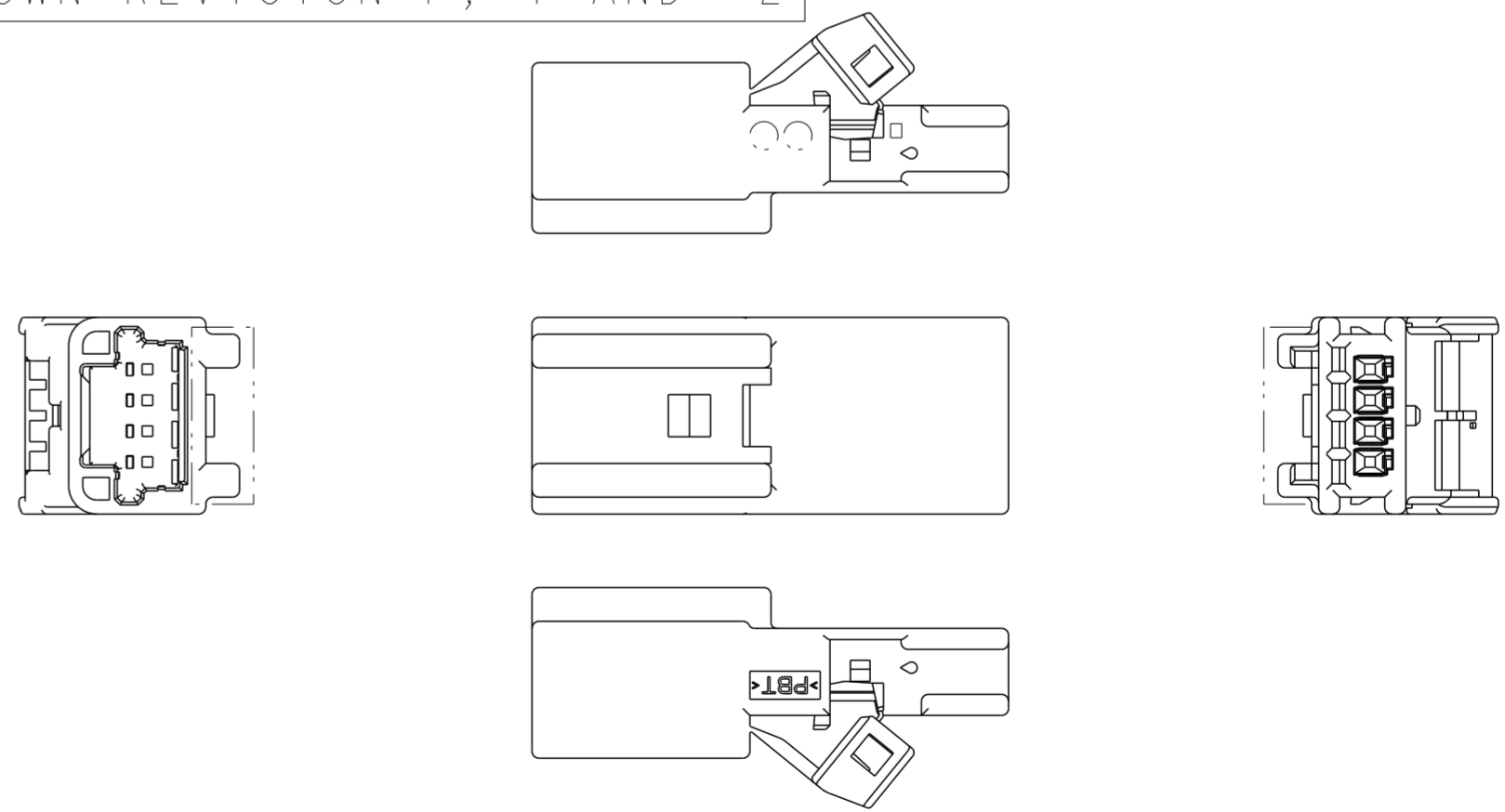


MATING TO PANEL LOCK B



MATERIAL: PLASTIC 材料: 樹脂

AS SHOWN REVISION P, -1 AND -2



THIS DRAWING IS A CONTROLLED DOCUMENT.		DWN	N. YASUDA	29OCT02	 TE Connectivity	NAME 025G W-W CONNECTOR 4POS CAP HOUSING		
DIMENSIONS: 単位: 桁 mm		CHK	T. KOHNO	29OCT02				
TOLERANCES UNLESS OTHERWISE SPECIFIED: 一般公差 ±0.15		APVD	N. SAI	29OCT02				
0-PLC ±		PRODUCT SPEC	SEE 1 OF 2					
1-PLC ±		APPLICATION SPEC	SEE 1 OF 2		SIZE	CAGE CODE	DRAWING NO	RESTRICTED TO
2-PLC ±		取付適用規格	SEE 1 OF 2		A200779	C-1612035		
3-PLC ±		FINISH 仕上			SCALE	1:1	SHEET 2 OF 2	REV R
4-PLC ±		SEE TABLE			CUSTOMER DRAWING			

Looking for pricing, stock, or lifecycle information?

Click below to explore more details on WIN SOURCE:

 [View 1612035-2 on WIN SOURCE](#)

 [TE Connectivity](#) Information

Optimize Your Supply Chain with WIN SOURCE Solutions

-  Global Sourcing Solution
-  Obsolete Management
-  Cost Control Management
-  Shortage Management
-  Alternative Solution
-  Excess Inventory Management