

SLW Series

1.00MM ZIF RIGHT-ANGLE AND STRAIGHT FFC-FPC CONNECTOR

ZIF FFC-FPC Connector series with top and bottom contact type. These through hole connectors feature a height of 4.00mm for Right-Angle and 5.50mm for Straight type, with 4 to 32 contacts. HLW series connectors have a proven track record in automotive, data, industrial, telecommunications, consumer, and medical application equipment.

- Easy to operate and strong FFC/FPC retention makes it vibration-proof
- Ensures high solderability and high durability
- Operating temperature range of -55°C to +85°C



TARGET MARKETS



FEATURES

- ZIF (Zero Insertion Force) mechanism
- Easy cable operation
- Design against solder and flux wicking
- High-temperature, dimensional stable thermoplastic housing
- 4 to 32 positions available
- Lead and halogen-free

BENEFITS

- Stress free mating provides high number of mating cycles
- Simple action and strong FFC/FPC retention ensures contact stability
- Ensures high solderability
- Covers general operating temperature range of -55°C to +85°C
- Supports many applications as a general-purpose product
- Meet environmental, healthy and safety requirement

TECHNICAL INFORMATION

MATERIAL

- Housing: LCP, natural color (UL94V-0)
- Contact: Phosphor bronze
- Tab: Brass

MECHANICAL PERFORMANCE

- FFC/FPC Retention Force: 0.49N/contact min.
- Durability: 10 mating cycles

ELECTRICAL PERFORMANCE

- Voltage Rating: 100V A.C./D.C.
- Current Rating: 1.0A A.C./D.C.
- Contact Resistance: 30mΩ max.(initial value)
- Insulation Resistance: 500MΩ min.
- Dielectric Withstanding Voltage: No short or breakdown after 500V A.C., 1mA, 1min.

ENVIRONMENTAL

- Operating Temperature Range: -55°C to +85°C

APPROVALS & CERTIFICATION

- RoHS compliant

SPECIFICATIONS

- Orientation: Right-angle and straight
- Cable Termination: ZIF
- Cable Type: FFC/ FPC
- Board Termination: Through hole (DIP)
- Contact Location: Bottom
- Height: 4.0mm (Right-angle) and 5.5mm (straight)
- Lead-free tin plating

TARGET MARKETS/APPLICATIONS



Car Multimedia
Car Navigation
Dashboard
Lighting



Gaming
LCD & OLED Displays



Base Station
Switches
Controllers
Storage

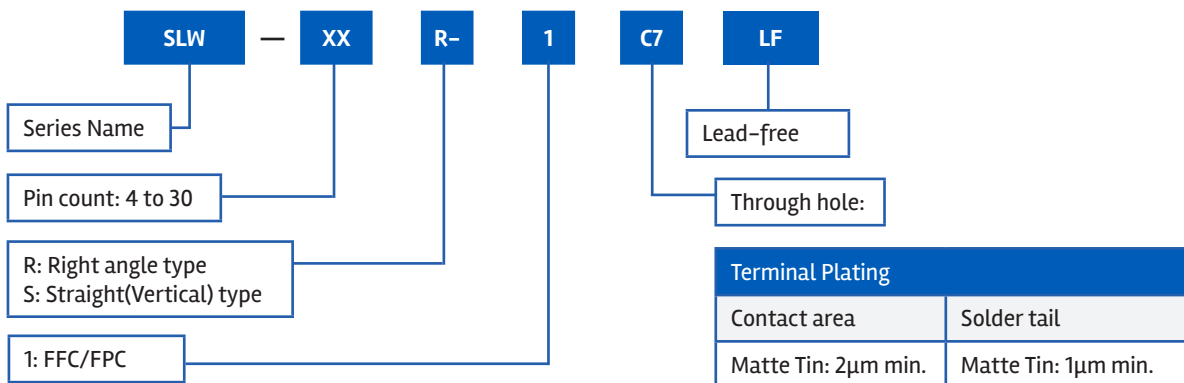


Controllers
HMI
Vending Machines
PLC
Drives



Ultrasonic
Patient Monitor
MRI
CT
Infusion Pump
Hospital Bed

PART NUMBER SELECTOR



Mouser Electronics

Authorized Distributor



Click to View Pricing, Inventory, Delivery & Lifecycle Information:

[Amphenol:](#)

[SLW10R-1C7LF](#) [SLW10S-1C7LF](#) [SLW11R-1C7LF](#) [SLW11S-1C7LF](#) [SLW12R-1C7LF](#) [SLW12S-1C7LF](#) [SLW14R-1C7LF](#) [SLW14S-1C7LF](#) [SLW15R-1C7LF](#) [SLW15S-1C7LF](#) [SLW16R-1C7LF](#) [SLW16S-1C7LF](#) [SLW18R-1C7LF](#) [SLW18S-1C7LF](#) [SLW19S-1C7LF](#) [SLW20R-1C7LF](#) [SLW20S-1C7LF](#) [SLW21S-1C7LF](#) [SLW22R-1C7LF](#) [SLW22S-1C7LF](#) [SLW24R-1C7LF](#) [SLW24S-1C7LF](#) [SLW25R-1C7LF](#) [SLW25S-1C7LF](#) [SLW26R-1C7LF](#) [SLW26S-1C7LF](#) [SLW29R-1C7LF](#) [SLW29S-1C7LF](#) [SLW30R-1C7LF](#) [SLW30S-1C7LF](#) [SLW4R-1C7LF](#) [SLW4S-1C7LF](#) [SLW5S-1C7LF](#) [SLW6S-1C7LF](#) [SLW7S-1C7LF](#) [SLW8R-1C7LF](#) [SLW8S-1C7LF](#) [SLW9S-1C7LF](#) [SLW6R-1C7LF](#) [SLW5R-1C7LF](#) [SLW28R-1C7LF](#) [SLW28S-1C7LF](#) [SLW10S-1C7BLF](#) [SLW14S-1C7BLF](#) [SLW15R-1C7BLF](#) [SLW15S-1C7BLF](#) [SLW20R-1C7BLF](#) [SLW4R-1C7BLF](#) [SLW4S-1C7BLF](#) [SLW7S-1C7BLF](#) [SLW9S-1C7BLF](#) [SLW17R-1C7BLF](#) [SLW17R-1C7LF](#) [SLW27S-1C7LF](#) [SLW17S-1C7LF](#) [SLW13S-1C7LF](#) [SLW23S-1C7LF](#) [SLW9R-1C7LF](#) [SLW19R-1C7LF](#) [SLW23R-1C7LF](#) [SLW27R-1C7LF](#) [SLW13R-1C7LF](#) [SLW21R-1C7LF](#) [SLW7R-1C7LF](#) [SLW20S-1C7BLF](#) [SLW11S-1C7BLF](#)

Looking for pricing, stock, or lifecycle information?

Click below to explore more details on WIN SOURCE:

-  [View SLW22S-1C7LF on WIN SOURCE](#)
-  [Amphenol FCI Information](#)

Optimize Your Supply Chain with WIN SOURCE Solutions

-  Global Sourcing Solution
-  Obsolete Management
-  Cost Control Management
-  Shortage Management
-  Alternative Solution
-  Excess Inventory Management