



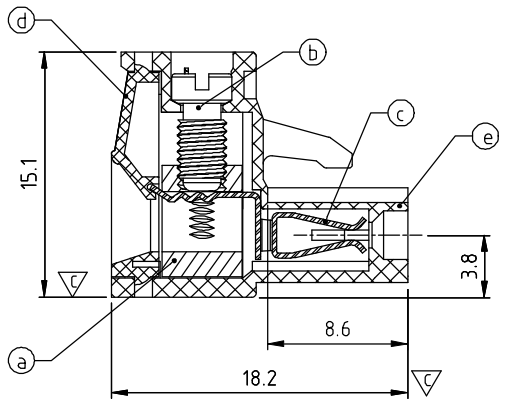
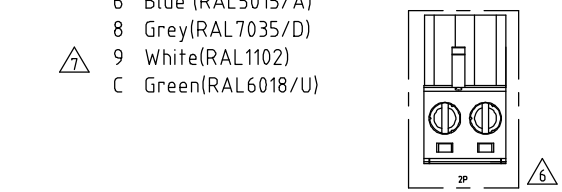
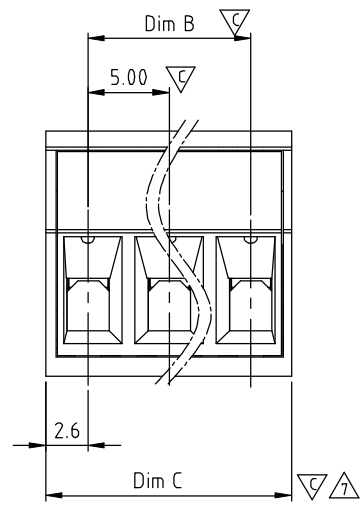
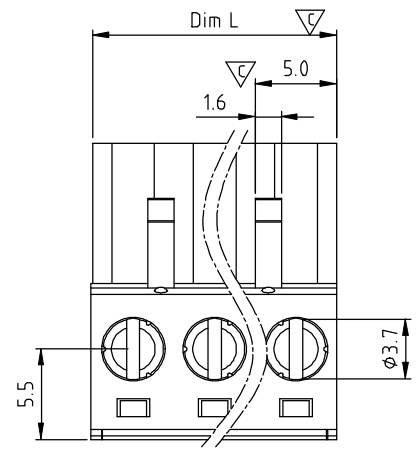
SIGN	DATE	DESCRIPTION	APPROVER
△	02/03'05	Part No. changed.	Marvin
△	06/26'06	Solid/Stranded wire(AWG) is changed from 12-22 to 12-24	Marvin
△	8/10'06	Added VDE and TUV standard	梁仁松
△	12/17'08	Add the tolerance table	Jacke
△	12/17'08	The temperature changed from -30°C,+105°C to -40°C,+115°C	Jacke
△	03/08'10	Add the 2P mark	Jacke
△	04/03'14	Update the drawing	Chen Bo

*THIS IS CAD DRAWING, DO NOT REVISE MANUALLY!!!*

**TJ xx 71x 0 xxxx G**

No. OF POLES ——— G RoHS compliant (lead<4%)  
 In copper Alloy

COLOR ——— 00Y0: "@" Logo (Standard)  
 00YA: "ANYTEK" Mark  
 Any special item by customer request.  
 please contact sales department.



△ △ N= Number of poles

Dimension	Poles	Tolerance
Dim L N×5.0	2P-7P	±0.15
Dim B (N-1)×5.0	8P-12P	±0.25
Dim C N×5.0±0.10	13P-18P	±0.30
	19P-24P	±0.40

- Material**
- Item (a) Clamp: Brass(CuZn) Ni plated
  - Item (b) Terminal screw: Steel Zinc plating "-" slot type
  - Item (c) Female contact: PhBz ,Tin plated
  - Item (d) Terminal Cover: Thermoplastic (UL94V-0)
  - Item (e) Terminal housing: Thermoplastic (UL94V-0)
- Electrical cULus/VDE/TUV**
- Voltage rating: 300VAC/300VAC/300VAC
  - Current rating: 20A/20A/20A
  - Wire range: 2.5mm<sup>2</sup>/0.34-2.5mm<sup>2</sup>
  - Solid wire(AWG): 12-24/14-22
  - Stranded wire(AWG): 12-24/14-22
  - Torque: 5Lb-In/0.5Nm/0.56Nm
  - Screw: M3
  - Wire strip length: 7-8mm
  - Withstanding Voltage: 1.6KV/2.5KV/2.5KV
  - Operating temperature: -40°C to +115°C
  - Safety Approval: cULus VDE TUV
  - Critical dimension: △

<b>ANYTEK</b>				<b>CUSTOMER COPY</b>			
ALL RIGHTS RESERVED. REPRODUCTION OR ISSUE TO THIRD PARTIES IN ANY FORM WHATSOEVER IS NOT PERMITTED WITHOUT WRITTEN AUTHORITY FROM THE PROPRIETOR. PROPERTY OF ANYTEK TECHNOLOGY CO., LTD							
TITLE		TJ-5.00mm Series					
PART NO.		TJxx71x0xxxxG			DWG NO.		8TJ0301
APPROVED		CHECKED		DESIGNED		DRAWN	
		Chen Bo		Chen Bo		CUST NO.	
		04/03'14		04/03'14		Tolerance	
						UNIT: mm	
						SCALE: NONE	
						X. ±0.50	
						X.X ±0.30	
						X.XX ±0.10	
						X° ±1°	
						SHEET: 01/01	
						REV.: H	

## Looking for pricing, stock, or lifecycle information?

Click below to explore more details on WIN SOURCE:

 [View TJ0671500000G on WIN SOURCE](#)

 [Amphenol Anytek Information](#)

## Optimize Your Supply Chain with WIN SOURCE Solutions

-  Global Sourcing Solution
-  Obsolete Management
-  Cost Control Management
-  Shortage Management
-  Alternative Solution
-  Excess Inventory Management