

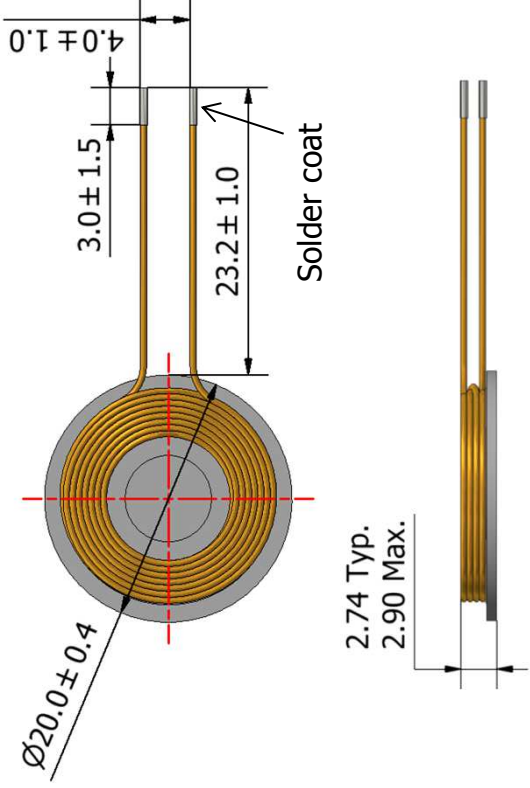


**THE DATASHEET OF  
WT202080-28F2-G**



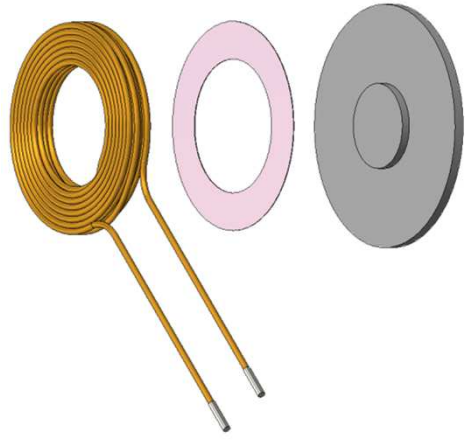
# WT202080-28F2-G

## = Dimension of coil unit =



## = Coil unit Assembly

Stack	TDK Item
1	Coil+Resin
2	Adhesive Tape
3	Ferrite Sheet
Total Thickness	



## = Electrical Characteristics=

- Ls : 20.9 uH Typ. @100kHz
- Rs : 0.3 Ω Max. @100kHz

## Looking for pricing, stock, or lifecycle information?

Click below to explore more details on WIN SOURCE:

- ⊖ [View WT202080-28F2-G on WIN SOURCE](#)
- ⊖ [TDK Corporation](#) Information

## Optimize Your Supply Chain with WIN SOURCE Solutions

- ✓ Global Sourcing Solution
- ✓ Obsolete Management
- ✓ Cost Control Management
- ✓ Shortage Management
- ✓ Alternative Solution
- ✓ Excess Inventory Management