

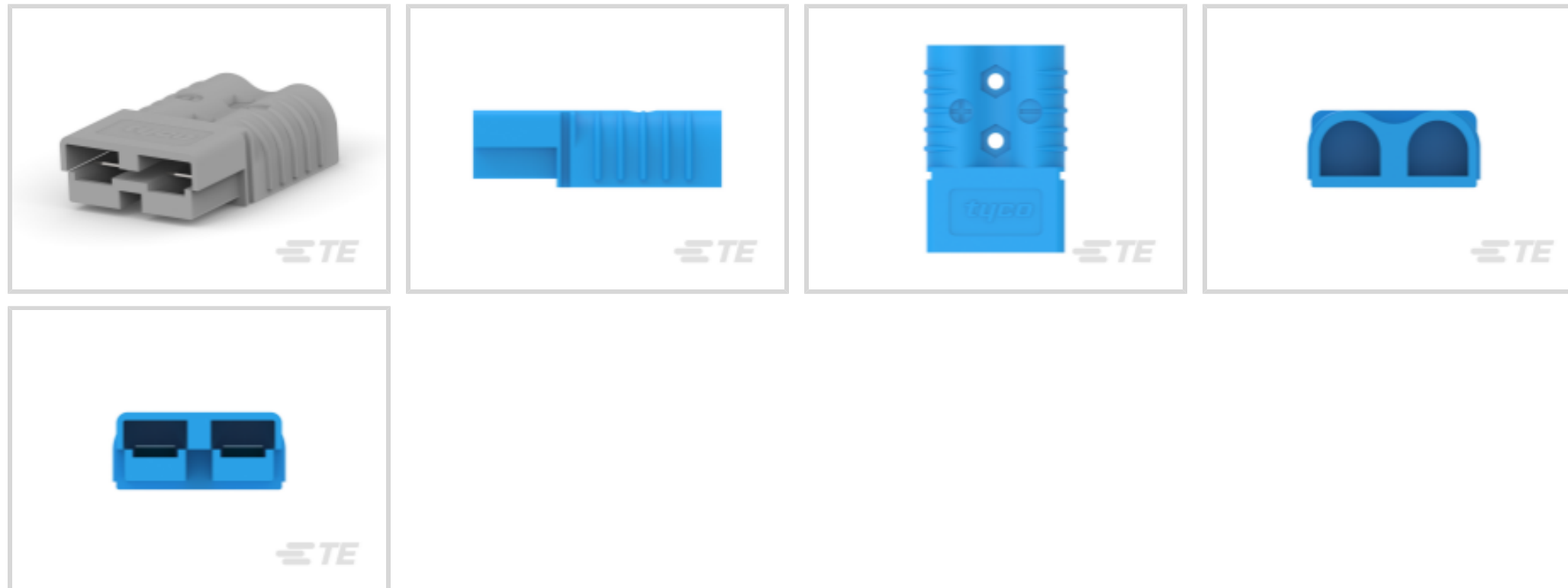
WIN*SOURCE*
ELECTRONICS

THE DATASHEET OF
1445994-2





Connectors > Power Connectors > Rectangular Power > Rectangular Power Connectors



Rectangular Power Connector Type: **Housing**

Connector & Housing Type: **Plug, Receptacle**

Connector System: **Wire-to-Wire**

Number of Positions: **2**

Centerline (Pitch): **23.5 mm [.925 in]**

Features

Product Type Features

Compatible With Discrete Wire Type	Stranded
Rectangular Power Connector Type	Housing
Connector & Housing Type	Plug, Receptacle
Connector System	Wire-to-Wire
Sealable	No
Connector & Contact Terminates To	Wire & Cable

Configuration Features

Number of Positions	2
Number of Rows	1

Electrical Characteristics

Operating Voltage	600 VDC
-------------------	---------

Contact Features

Contact Retention Within Housing	Without
Contact Type	Blade

Termination Features

Termination Method to Wire & Cable	Crimp
------------------------------------	-------

Mechanical Attachment

Panel Mount Feature	Without
---------------------	---------

Connector Mounting Type	Panel Mount
-------------------------	-------------

Housing Features

Centerline (Pitch)	23.5 mm[.925 in]
--------------------	------------------

Housing Color	Blue
---------------	------

Housing Material	Polycarbonate
------------------	---------------

Dimensions

Connector Height	20.6 mm[.811 in]
------------------	------------------

Product Width	44.31 mm[1.744 in]
---------------	--------------------

Product Length	63.45 mm[2.498 in]
----------------	--------------------

Wire Size	25656 – 69073 CMA
-----------	-------------------

Usage Conditions

Operating Temperature Range	-20 – 105 °C[-4 – 221 °F]
-----------------------------	---------------------------

Operation/Application

Circuit Application	Power
---------------------	-------

Industry Standards

UL Rating	Recognized
-----------	------------

Compatible With Agency/Standards Products	UL
---	----

Compatible With Approved Standards Products	UL E28476
---	-----------

UL Flammability Rating	UL 94V-0
------------------------	----------

Glow Wire Rating	Standard Part - Not Glow Wire
------------------	-------------------------------

Packaging Features

Packaging Quantity	75
--------------------	----

Packaging Method	Bag & Box
------------------	-----------

Product Compliance

[For compliance documentation, visit the product page on TE.com>](#)

EU RoHS Directive 2011/65/EU	Compliant
------------------------------	-----------

EU ELV Directive 2000/53/EC	Compliant
-----------------------------	-----------

China RoHS 2 Directive MIIT Order No 32, 2016	No Restricted Materials Above Threshold
---	---

EU REACH Regulation (EC) No. 1907/2006

Current ECHA Candidate List: JUNE 2024 (241)

Candidate List Declared Against: JAN 2022 (223)

Does not contain REACH SVHC

Halogen Content

Low Halogen - Br, Cl, F, I < 900 ppm per homogenous material. Also BFR/CFR/PVC Free

Solder Process Capability

Not applicable for solder process capability

Product Compliance Disclaimer

This information is provided based on reasonable inquiry of our suppliers and represents our current actual knowledge based on the information they provided. This information is subject to change. The part numbers that TE has identified as EU RoHS compliant have a maximum concentration of 0.1% by weight in homogenous materials for lead, hexavalent chromium, mercury, PBB, PBDE, DBP, BBP, DEHP, DIBP, and 0.01% for cadmium, or qualify for an exemption to these limits as defined in the Annexes of Directive 2011/65/EU (RoHS2). Finished electrical and electronic equipment products will be CE marked as required by Directive 2011/65/EU. Components may not be CE marked. Additionally, the part numbers that TE has identified as EU ELV compliant have a maximum concentration of 0.1% by weight in homogenous materials for lead, hexavalent chromium, and mercury, and 0.01% for cadmium, or qualify for an exemption to these limits as defined in the Annexes of Directive 2000/53/EC (ELV). Regarding the REACH Regulation, the information TE provides on SVHC in articles for this part number is based on the latest European Chemicals Agency (ECHA) 'Guidance on requirements for substances in articles' posted at this URL: <https://echa.europa.eu/guidance-documents/guidance-on-reach>

Also in the Series | AMP Power Series - 120



Connector Strain Relief(1)



Rectangular Power Connectors(9)

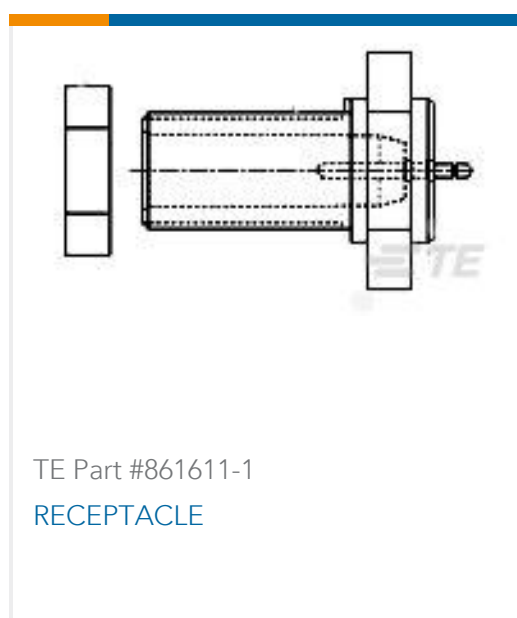
Customers Also Bought



TE Part #1-5747299-4
15 RCPT SP/FMS SCRLK



TE Part #5748026-1
15 PLUG SP/FMS (IN,SL)



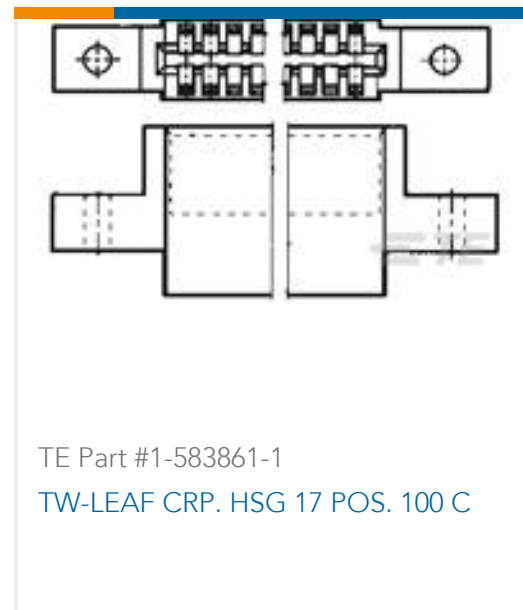
TE Part #861611-1
RECEPTACLE



TE Part #1734099-7
Champ 050 series,plug assembly



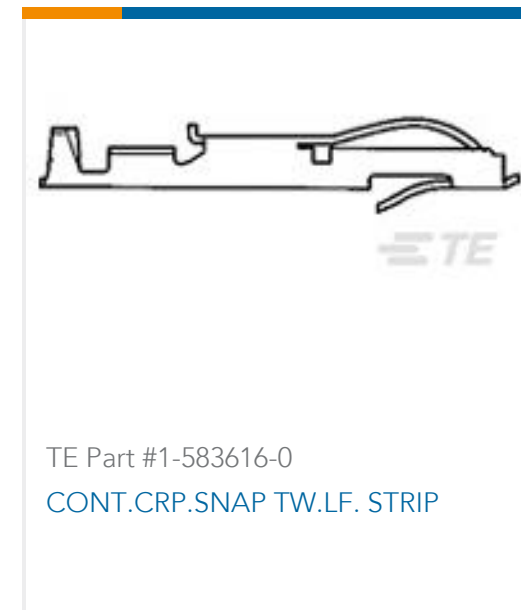
TE Part #1604044-3
KIT,175A, 4 AWG,RED



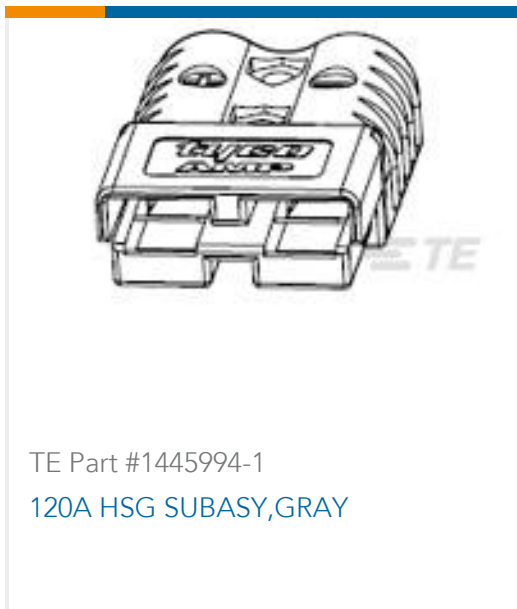
TE Part #1-583861-1
TW-LEAF CRP. HSG 17 POS. 100 C



TE Part #3-1393237-3
RTE24024F



TE Part #1-583616-0
CONT.CRP.SNAP TW.LF. STRIP



TE Part #1445994-1
120A HSG SUBASY,GRAY



TE Part #4-1393483-7
V42254A1115C209=SUB D STIFTLI

Documents

Product Drawings

120A HSG SUBASY,BLUE

English

CAD Files

3D PDF

3D

Customer View Model

[ENG_CVM_CVM_1445994-2_C.2d_dxf.zip](#)

English

Customer View Model

[ENG_CVM_CVM_1445994-2_C.3d_igs.zip](#)

English

Customer View Model

[ENG_CVM_CVM_1445994-2_C.3d_stp.zip](#)

English

By downloading the CAD file I accept and agree to the [Terms and Conditions](#) of use.

Datasheets & Catalog Pages

POWER_CONNECTORS_CATALOG_SEC02_CABLE_MOUNTED

English

2_PIECE_POWER_CONNECTORS_qrg_4-1773458-1

English

Product Specifications

Application Specification

English



Looking for pricing, stock, or lifecycle information?

Click below to explore more details on WIN SOURCE:

[View 1445994-2 on WIN SOURCE](#)

[TE Connectivity Information](#)

Optimize Your Supply Chain with WIN SOURCE Solutions

- ✓ Global Sourcing Solution
- ✓ Obsolete Management
- ✓ Cost Control Management
- ✓ Shortage Management
- ✓ Alternative Solution
- ✓ Excess Inventory Management