



THE DATASHEET OF
145738009784859+

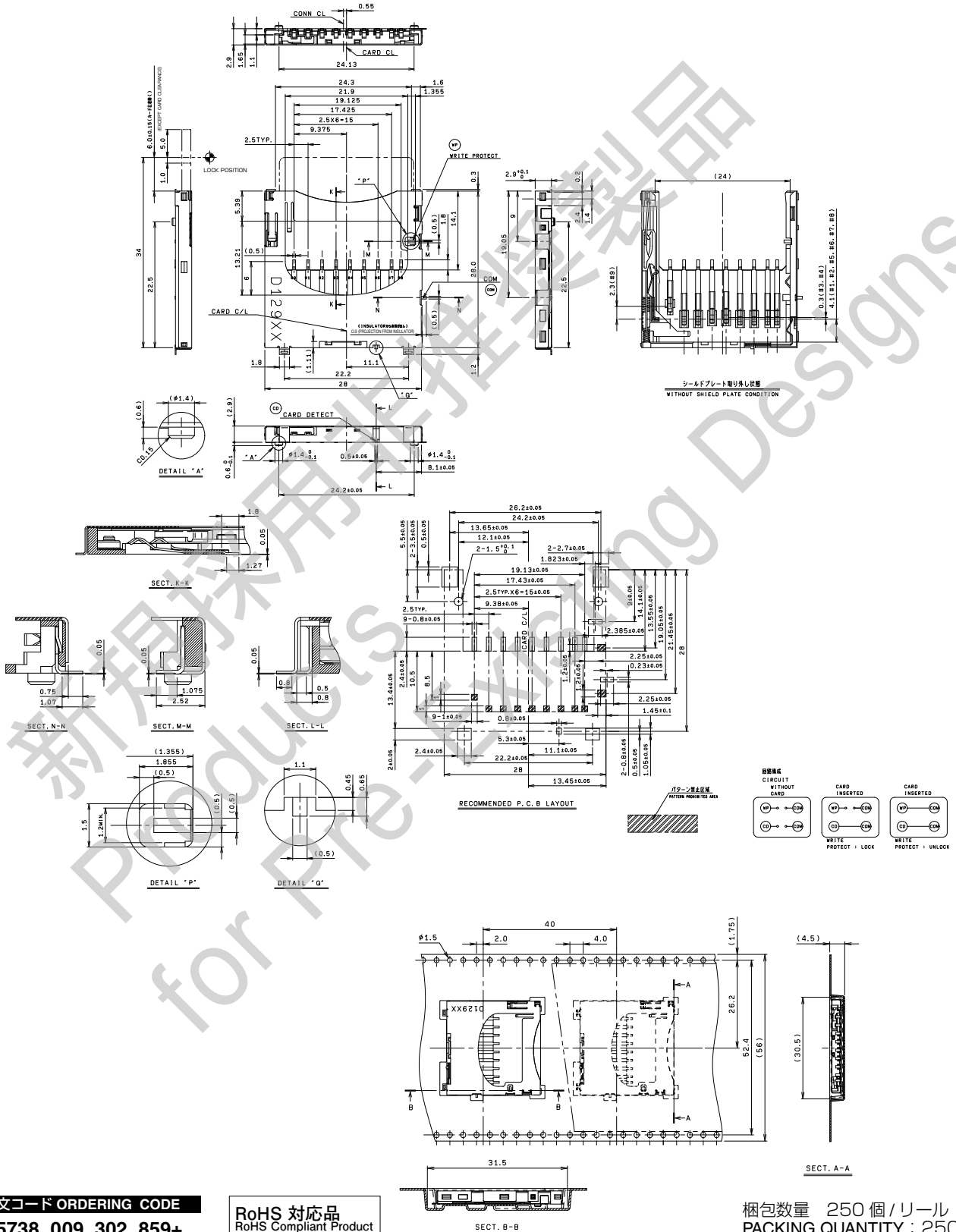


SD Card Connector

SERIES

5738

Normal type, Inner tail, H=2.9mm



注文コード ORDERING CODE
14 5738 009 302 859+

RoHS 対応品
RoHS Compliant Product

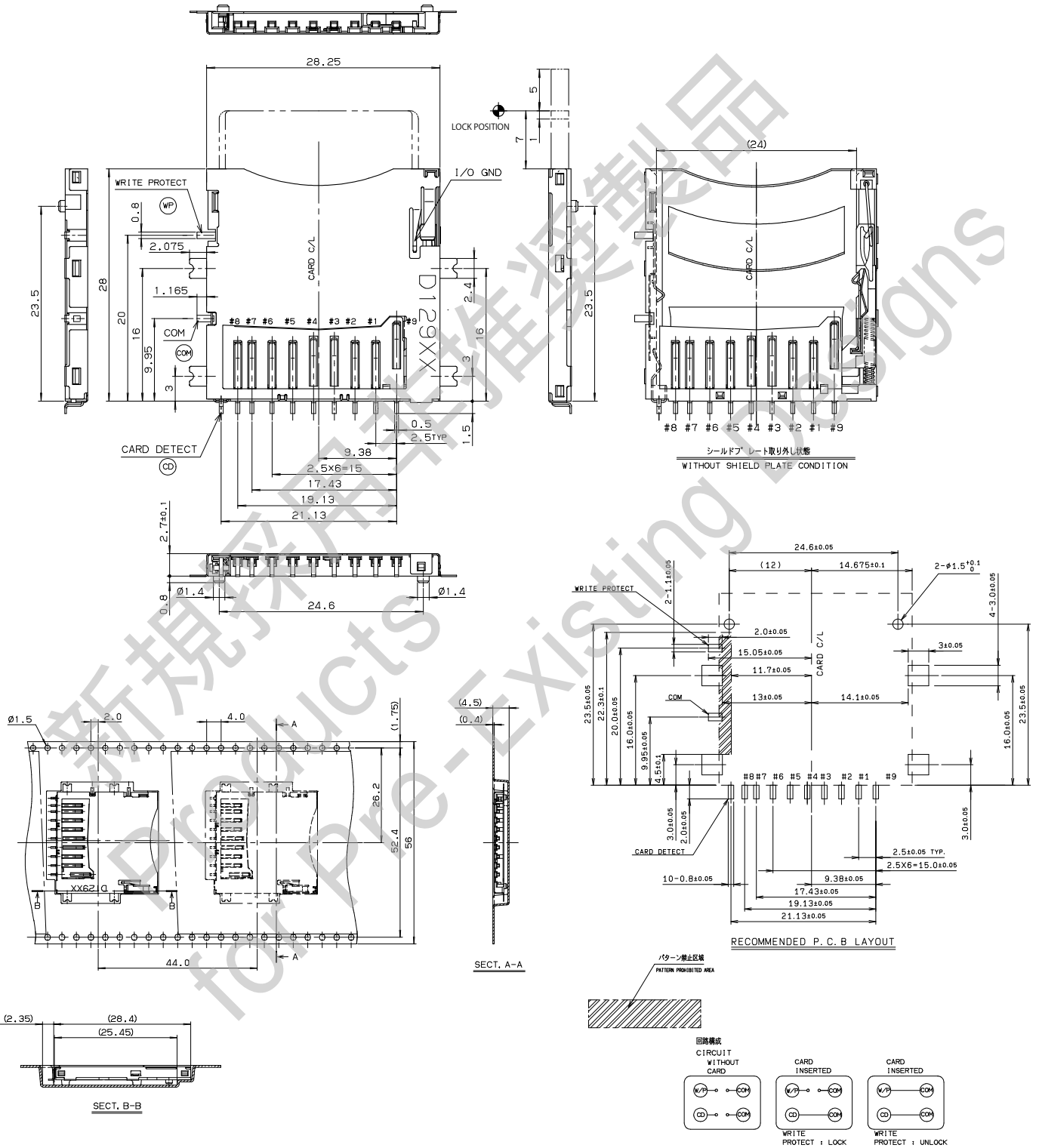
梱包数量 250 個 / リール
PACKING QUANTITY : 250/Reel

SD Card Connector

SERIES

5738

Reverse type, Outer tail H=2.7mm



注文コード ORDERING CODE
14 5738 009 220 859+

RoHS 対応品
RoHS Compliant Product

梱包数量 250 個 / リール
PACKING QUANTITY : 250 / Reel

Looking for pricing, stock, or lifecycle information?

Click below to explore more details on WIN SOURCE:

- [View 145738009784859+ on WIN SOURCE](#)
- [AVX Corp/Kyocera Corp Information](#)

Optimize Your Supply Chain with WIN SOURCE Solutions

- ✓ Global Sourcing Solution
- ✓ Obsolete Management
- ✓ Cost Control Management
- ✓ Shortage Management
- ✓ Alternative Solution
- ✓ Excess Inventory Management