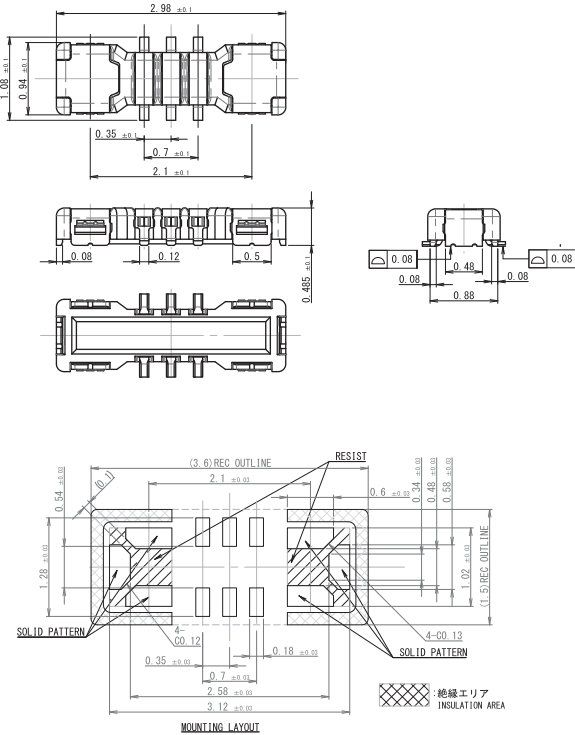


0.35mm Pitch 5811 Series

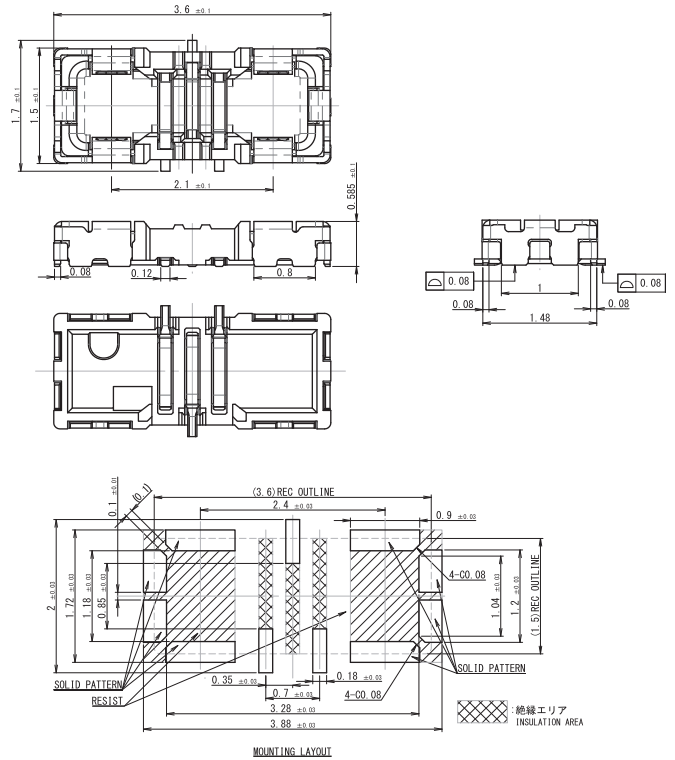


0.35mm ピッチ 嵌合高さ 0.6mm シグナル 3 極 電源 2 極
0.35mm Pitch, Stacking Height=0.6mm, 3 signal pin + 2 power pin

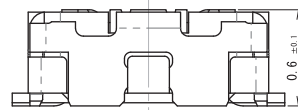
● Plug



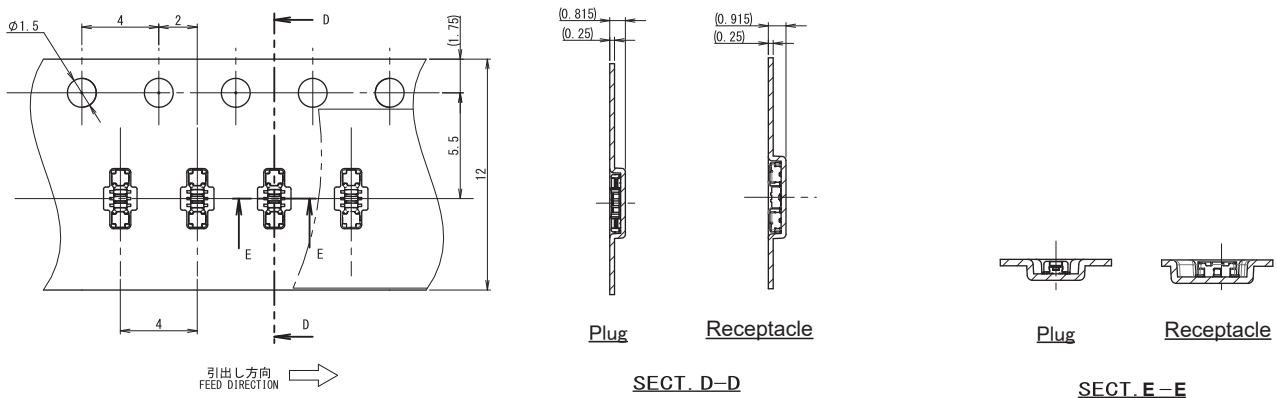
● Receptacle



● Mating condition



● Packaging



注文コード/Ordering Code

Plug
Part No. 14 5811 302 010 829+

Receptacle
□ シグナル極数 No. of signal pins

Part No. 24 5811 302 010 829+

□ シグナル極数 No. of signal pins

梱包数量: 15,000 個 / リール
PACKING QUANTITY: 15,000/Reel

RoHS 対応品
RoHS Compliant Product

※シグナル極数変更のご要望は、弊社営業担当までご相談下さい。

Please contact our sales representative if you would like to change the number of signal pins.

本カタログには推奨めっきを掲載しております。めっき種類・仕様、ならびに生産対応可能極数については営業部にご確認願います。
Recommended plating types are mentioned in this catalogue. For other plating types and their specifications, and available numbers of positions, please feel free to contact our sales department.

Looking for pricing, stock, or lifecycle information?

Click below to explore more details on WIN SOURCE:

- [⊖ View 145811302010829+ on WIN SOURCE](#)
- [⊖ AVX Corp/Kyocera Corp Information](#)

Optimize Your Supply Chain with WIN SOURCE Solutions

- ✓ Global Sourcing Solution
- ✓ Obsolete Management
- ✓ Cost Control Management
- ✓ Shortage Management
- ✓ Alternative Solution
- ✓ Excess Inventory Management