



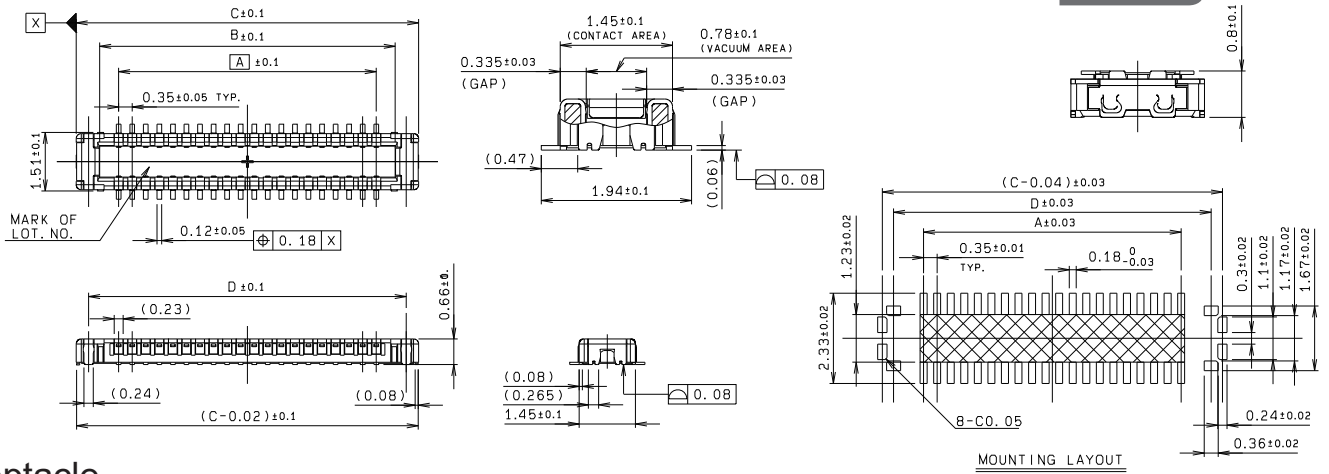
**THE DATASHEET OF
145897078002829+**



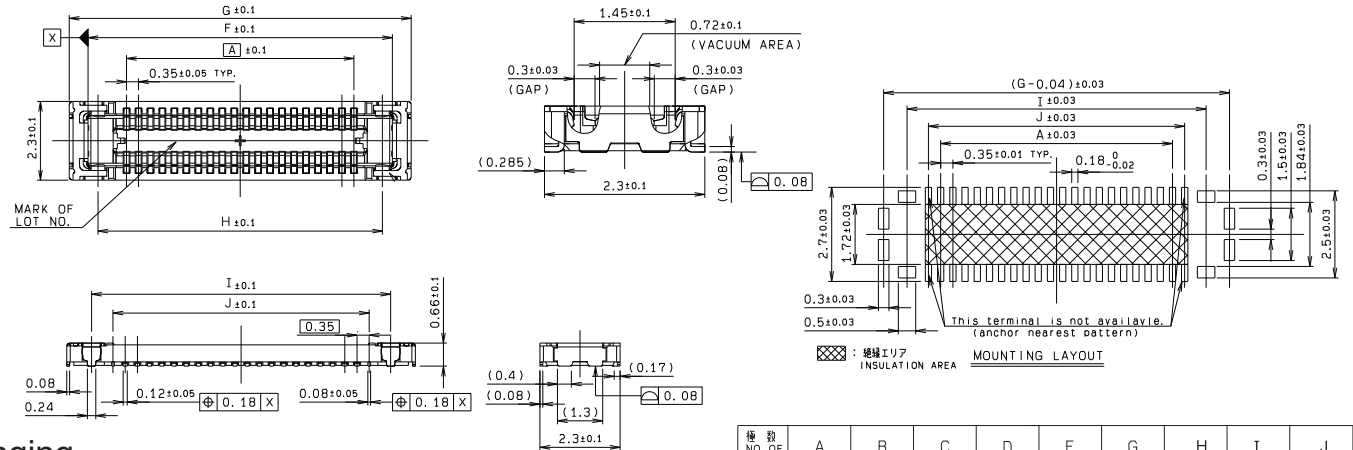
0.35mm Pitch 5897 Series

0.35mm ピッチ 嵌合高さ 0.8mm 内側補強金具付き SMT
0.35mm Pitch, Stacking Height=0.8mm, With Metal tabs, SMT

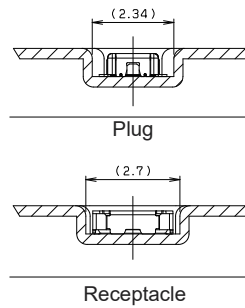
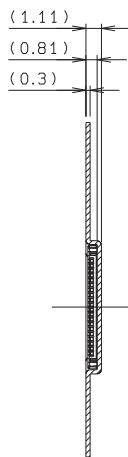
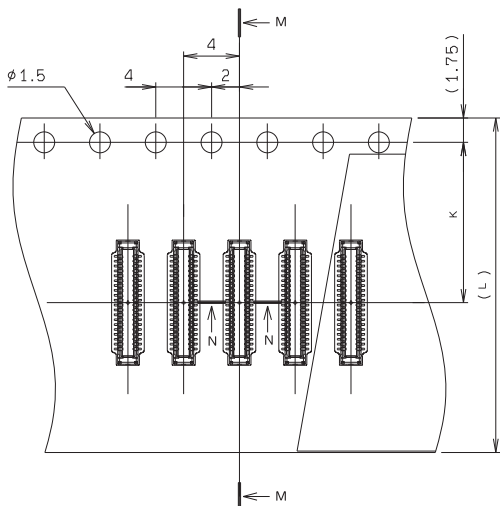
● Plug



● Receptacle



● Packaging



極数 NO. OF POS.	A	B	C	D	F	G	H	I	J
78	13.30	14.28	15.49	14.85	15.55	16.65	14.97	15.23	14.00

Plug

極数 NO. OF POS.	K	L
78	11.5	24.0

Receptacle

極数 NO. OF POS.	K	L
78	11.5	24.0

注文コード/Ordering Code

Plug
Part No. **14 5897 078 002 829+**
極数 No. of Pos.

Receptacle
Part No. **24 5897 078 002 829+**
極数 No. of Pos.

RoHS 対応品
RoHS Compliant Product

梱包数量: 15,000 個 / リール
PACKING QUANTITY: 15,000/Reel

本カタログには推奨めっきを掲載しております。めっき種類・仕様、ならびに生産対応可能極数については営業部にご確認願います。
Recommended plating types are mentioned in this catalogue. For other plating types and their specifications, and available numbers of positions, please feel free to contact our sales department.

Looking for pricing, stock, or lifecycle information?

Click below to explore more details on WIN SOURCE:

-  [View 145897078002829+ on WIN SOURCE](#)
-  [AVX Corp/Kyocera Corp Information](#)

Optimize Your Supply Chain with WIN SOURCE Solutions

-  Global Sourcing Solution
-  Obsolete Management
-  Cost Control Management
-  Shortage Management
-  Alternative Solution
-  Excess Inventory Management