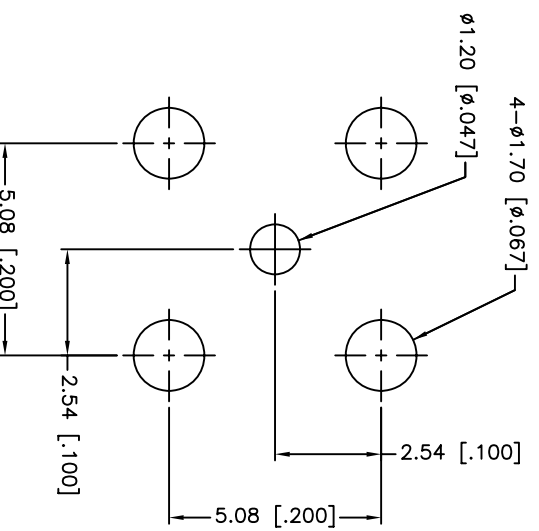
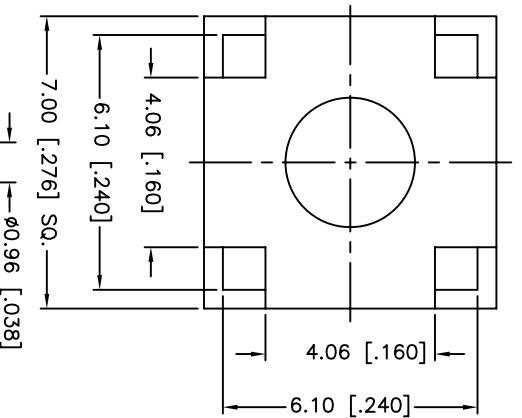




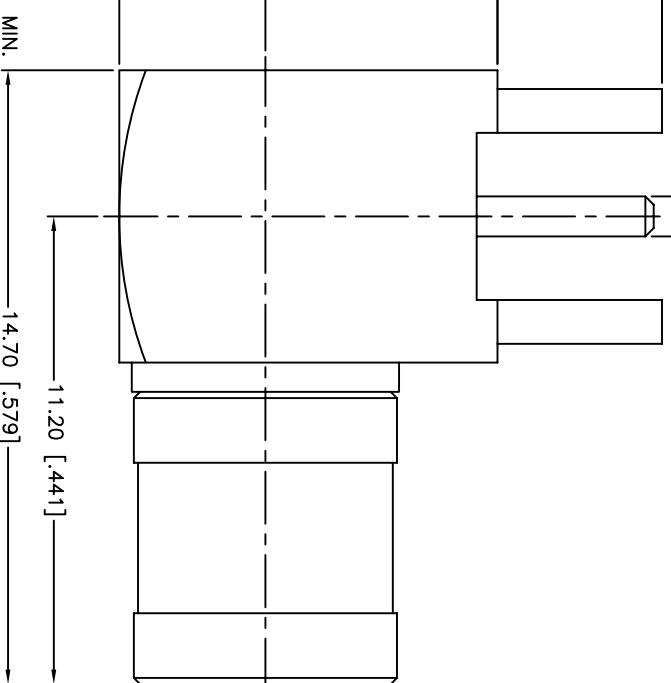
THE DATASHEET OF
142140



REV.	DATE	ECR NO.	DESCRIPTION
NC	09/02/99	XXXXXX	INITIAL RELEASE
A	07/31/13	2506	UPDATE DRAWING FORMAT



PCB MOUNTING HOLE



UNLESS OTHERWISE SPECIFIED DIMENSIONS ARE IN MILLIMETERS. DIMENSIONS IN [] ARE IN INCHES AND FOR CUSTOMER REFERENCE ONLY.

TOLERANCES UNLESS OTHERWISE SPECIFIED:

<0.5 ± 0.05mm

0.5 - 6mm ± 0.10mm

6 - 30mm ± 0.20mm

30 - 120mm ± 0.30mm

ANGLES ± 1°

UNLESS OTHERWISE SPECIFIED DIMENSIONS FOR INCHES ARE:

<.020 ± 0.002"

.020 - .236 = ± 0.004"

.236 - 1.180 = ± 0.007"

1.180 - 4.724 = ± 0.012"

ANGLES ± 1°

DO NOT SCALE DRAWING

APPROVALS	DATE
M.ZHANG	07/31/13

CHECKED

ISSUED

SHEET	1 OF 1

QAD FILE
C:/CONNEX/142140.DWG

Amphenol Connex

SMB R/A P.C. MOUNT PLUG

142140


DWG. NO.	REV.	SIZE	SCALE
142140.DWG	A	A	NA

QTY
1

QTY
1

Looking for pricing, stock, or lifecycle information?

Click below to explore more details on WIN SOURCE:

 [View 142140 on WIN SOURCE](#)

 [Amphenol Information](#)

Optimize Your Supply Chain with WIN SOURCE Solutions

-  Global Sourcing Solution
-  Obsolete Management
-  Cost Control Management
-  Shortage Management
-  Alternative Solution
-  Excess Inventory Management