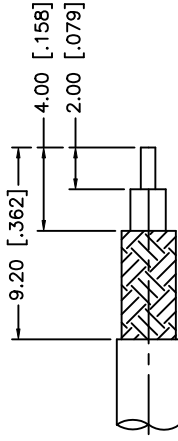




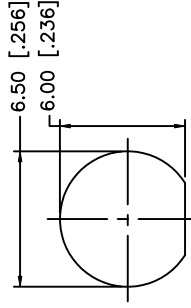
THE DATASHEET OF
132284



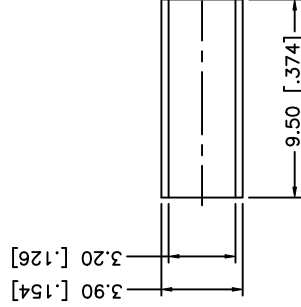
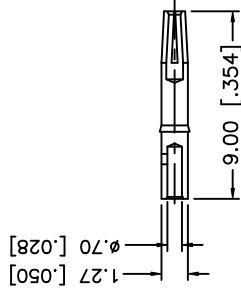
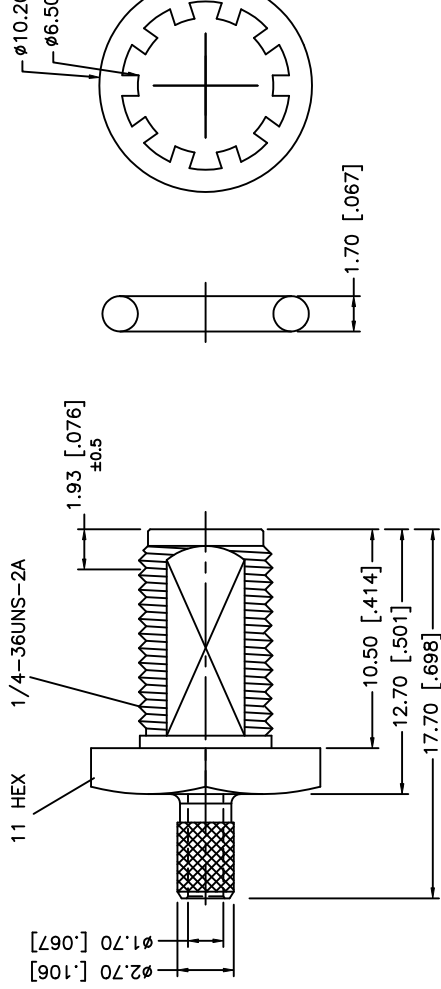
REV.	DATE	ECR NO.	DESCRIPTION
A	01/30/04	-	UPDATE DRAWING FORM
B	10/05/04	-	MODIFY BODY HEX ORI
C	08/29/08	-	REVISE BARREL O.D./



RECOMMENDED
CABLE STRIPPING DIM'S



RECOMMENDED
MOUNTING HOLE



NOTE:

1. CRIMPED FERRULE HEX CRIM
2. CONTACT PIN TO SOLDER

DESCRIPTION		MATERIAL		FINISH		QTY	
8	FERRULE	COPPER	GOLD	1			
7	HEX NUT	BRASS	GOLD	1			
6	LOCK WASHER	BRASS	GOLD	1			
5	GASKET	SILICONE	RED	1			
4	CONTACT PIN	BER. COPPER	GOLD	1			
3	INSULATOR	PTFE	NATURAL	1			
2	BODY	BRASS	GOLD	1			
1	DESCRIPTION	MATERIAL	FINISH				


UNLESS OTHERWISE SPECIFIED DIMENSIONS ARE IN INCHES AND FOR CUSTOMER REFERENCE ONLY.	
UNLESS OTHERWISE SPECIFIED TOLERANCES FOR MILLIMETERS ARE:	
0.5 - 8mm ± 0.20mm	
8 - 30mm ± 0.40mm	
30 - 120mm ± 0.50mm	
UNLESS OTHERWISE SPECIFIED TOLERANCES FOR INCHES ARE:	
.020 - .315 = ± 0.007"	
.315 - 1.180 = ± 0.015"	
1.180 - 4.724 = ± 0.020"	

APPROVALS	DATE
DRAWN GRS	08/29/08
CHECKED	
ISSUED	
SHEET 1 OF 1	
CAD FILE C:/132/132284.DWG	

AMPLHEN	PART DESCRIPTION	PART NO.
	SMA BULKHEAD (FOR RG-174/	
		132284.DWG

Looking for pricing, stock, or lifecycle information?

Click below to explore more details on WIN SOURCE:

 [View 132284 on WIN SOURCE](#)

 [Amphenol Information](#)

Optimize Your Supply Chain with WIN SOURCE Solutions

-  Global Sourcing Solution
-  Obsolete Management
-  Cost Control Management
-  Shortage Management
-  Alternative Solution
-  Excess Inventory Management