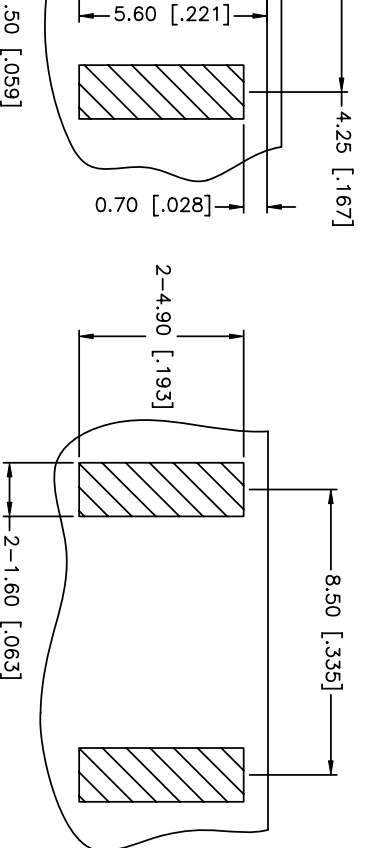
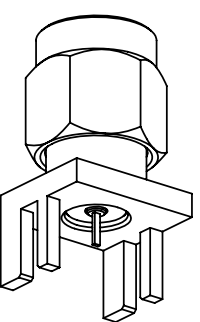




**THE DATASHEET OF**  
**132365-10**

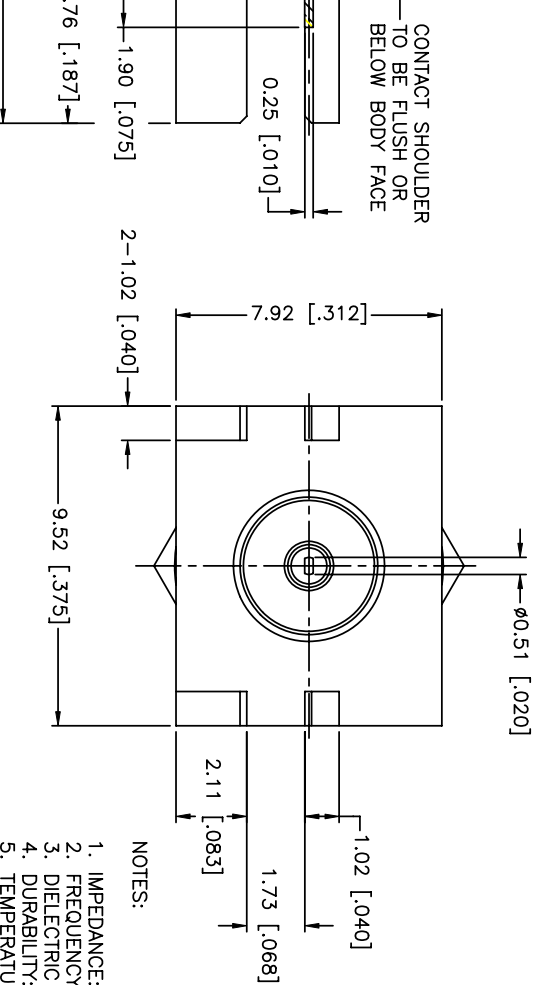


REV.	DATE	ECR NO.	DESCRIPTION
NC	03/24/12	XXXXXX	INITIAL RELEASE



RECOMMENDED PCB LAYOUT

BOTTOM VIEW



CONTACT SHOULDER  
TO BE FLUSH OR  
BELOW BODY FACE



- NOTES:
1. IMPEDANCE: 50 OHM
  2. FREQUENCY RANGE: DC-18 GHZ
  3. DIELECTRIC WITHSTANDING VOLTAGE: 1000 VRMS, MIN.
  4. DURABILITY: 500 CYCLES MIN.
  5. TEMPERATURE RANGE: -65°C TO +165°C
  6. CONTACT PIN MUST WITHSTAND 6 LBS MIN. AXIAL IN BOTH DIRECTIONS AND 4 IN-OZ MIN. RADIAL FORCE.
  7. BOARD THICKNESS=1.57 MM [.062"]

UNLESS OTHERWISE SPECIFIED DIMENSIONS ARE IN MILLIMETERS AND FOR ORDINARY REVERSE SIDE ONLY.		UNLESS OTHERWISE SPECIFIED DIMENSIONS ARE IN INCHES AND FOR MILLIMETERS ARE:	
TOLERANCES FOR MILLIMETERS ARE:		TOLERANCES FOR INCHES ARE:	
0.5 - 8mm ± 0.20mm		.020 - .315 = ± 0.007"	
8 - 30mm ± 0.40mm		.315 - 1.180 = ± 0.015"	
30 - 120mm ± 0.50mm		1.180 - 4.724 = ± 0.020"	
UNLESS OTHERWISE SPECIFIED DIMENSIONS FOR INCHES ARE:		UNLESS OTHERWISE SPECIFIED DIMENSIONS ARE:	
LATURAL	1	0.5 - 8mm ± 0.20mm	
RED	1	8 - 30mm ± 0.40mm	
GOLD	1	30 - 120mm ± 0.50mm	
LATURAL	1	.020 - .315 = ± 0.007"	
GOLD	1	.315 - 1.180 = ± 0.015"	
LATURAL	1	1.180 - 4.724 = ± 0.020"	
FINISH	QTY	DO NOT SCALE DRAWING	
APPROVALS	DATE	PART DESCRIPTION	
DRAWN I.XU	03/24/12	SMA END LAUNCH PLUG RECEPTACLE, FLUSH FLANGE (.062" BOARD THICKNESS), FLAT TAB CONTACT	
CHECKED		PART NO. 132365-10	
ISSUED		DWG. NO. 132365-10	
SHEET 1 OF 1		REV. NC	SIZE A
CAD FILE C:/CONNEX/132365-10.DWG		SCALE NA	

**Amphenol Connex**

## Looking for pricing, stock, or lifecycle information?

Click below to explore more details on WIN SOURCE:

-  [View 132365-10 on WIN SOURCE](#)
-  [Amphenol Information](#)

## Optimize Your Supply Chain with WIN SOURCE Solutions

-  Global Sourcing Solution
-  Obsolete Management
-  Cost Control Management
-  Shortage Management
-  Alternative Solution
-  Excess Inventory Management