

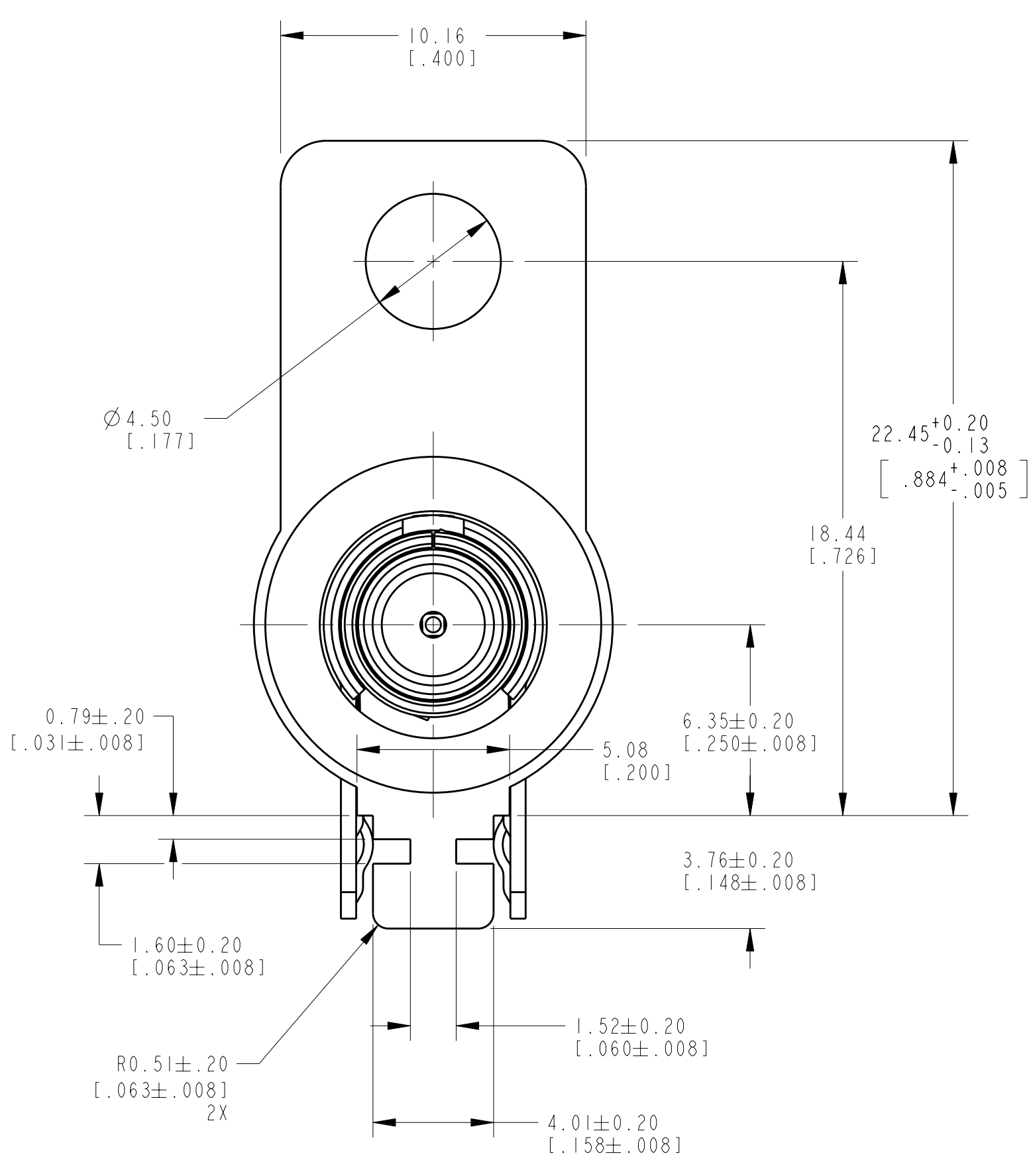


**THE DATASHEET OF**  
**1326508-6**

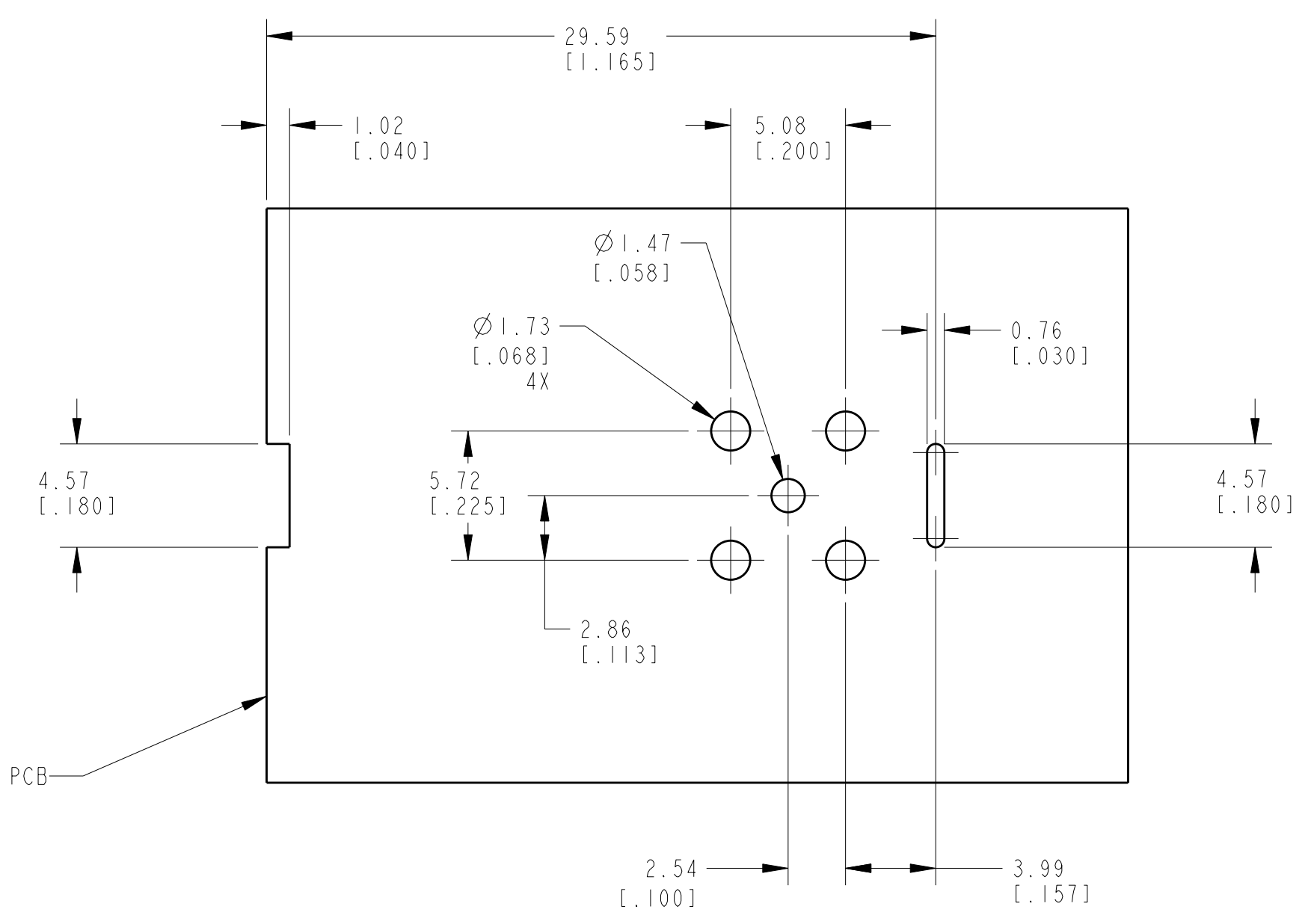
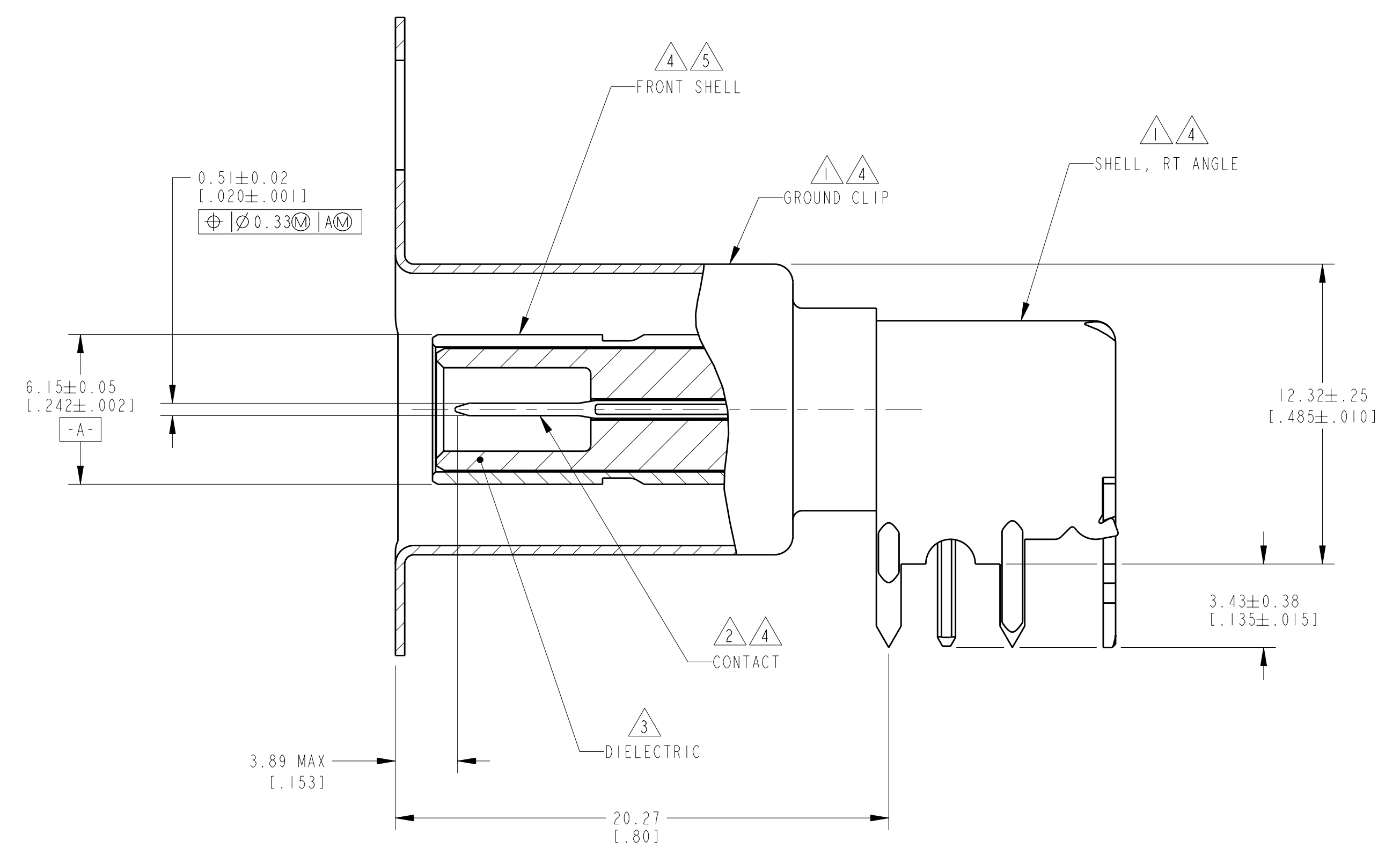


LOC	DIST	REV	DATE	BY	APPD
GE	00	J1	13MAR2012	DLD	LLV

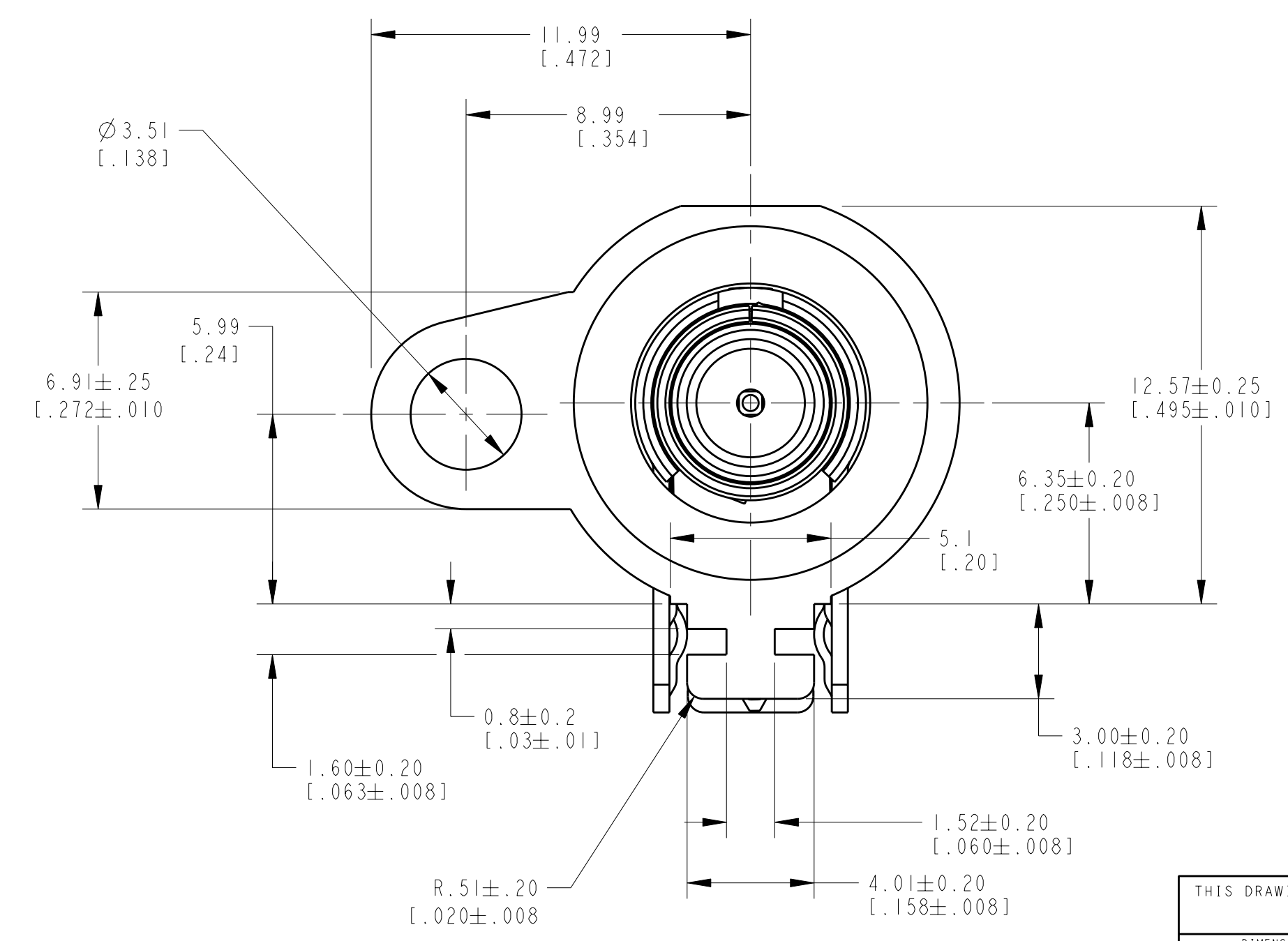
- 1 MATERIAL: BRASS PER ASTM-B-36
- 2 MATERIAL: BRASS PER ASTM-B-16
- 3 MATERIAL: TPX
- 4 FINISH: TIN PER ASTM-B-545
- 5 MATERIAL: BRASS PER ASTM-B-453
- 6 COMPANY LOGO



CONFIGURATION X



RECOMMENDED PCB LAYOUT FOR 1326508-1, -2 & -6  
 PCB LAYOUT TOLERANCES:  
 LOCATION = ±0.20 [0.008]  
 FEATURE SIZES = ±0.10 [0.004]  
 SCALE 4:1



CONFIGURATION Y

W, SH3	1326508-6
Z, SH2	1326508-3
Y	1326508-2
X	1326508-1
CONFIGURATION	PART NUMBER

THIS DRAWING IS A CONTROLLED DOCUMENT.

DIMENSIONS: mm [INCHES]	TOLERANCES UNLESS OTHERWISE SPECIFIED:	9 PLC ±	1 PLC ±	2 PLC ±	3 PLC ±	4 PLC ±	ANGLES ±
SEE NOTES	SEE NOTES	0.13 [0.005]	0.13 [0.005]	0.13 [0.005]	0.13 [0.005]	0.13 [0.005]	0.13 [0.005]

STE TE Connectivity

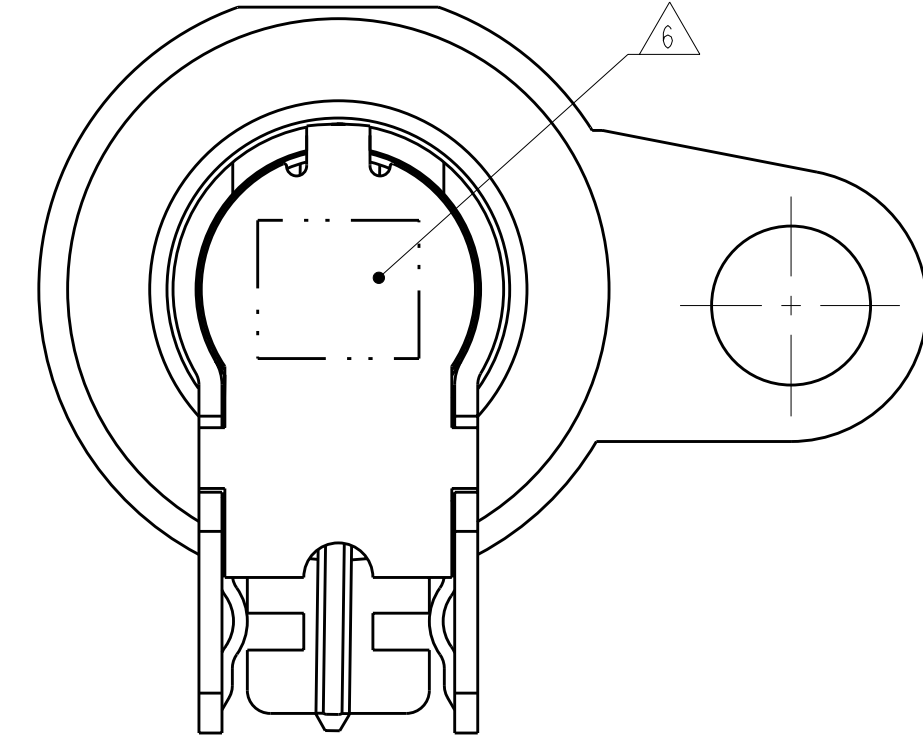
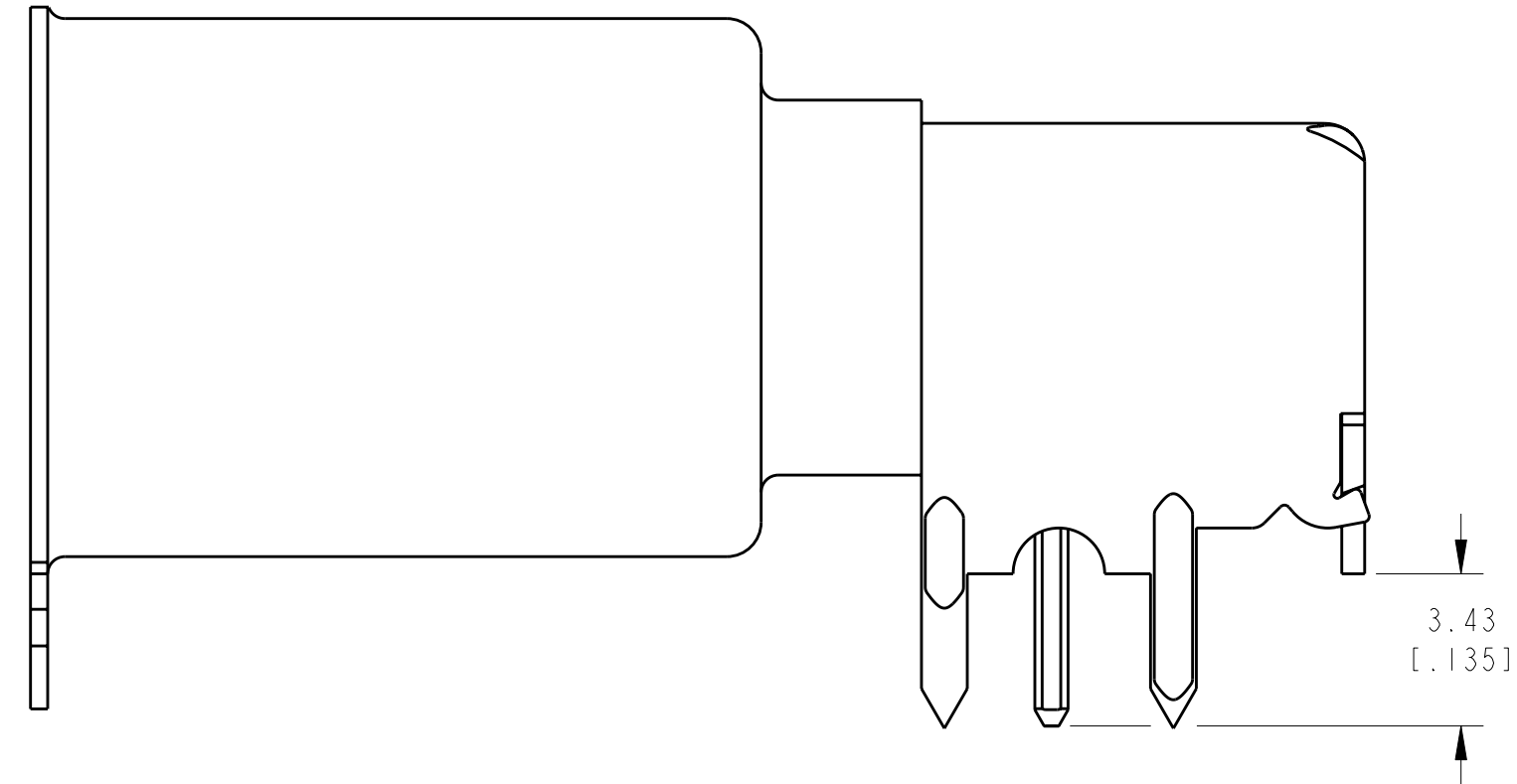
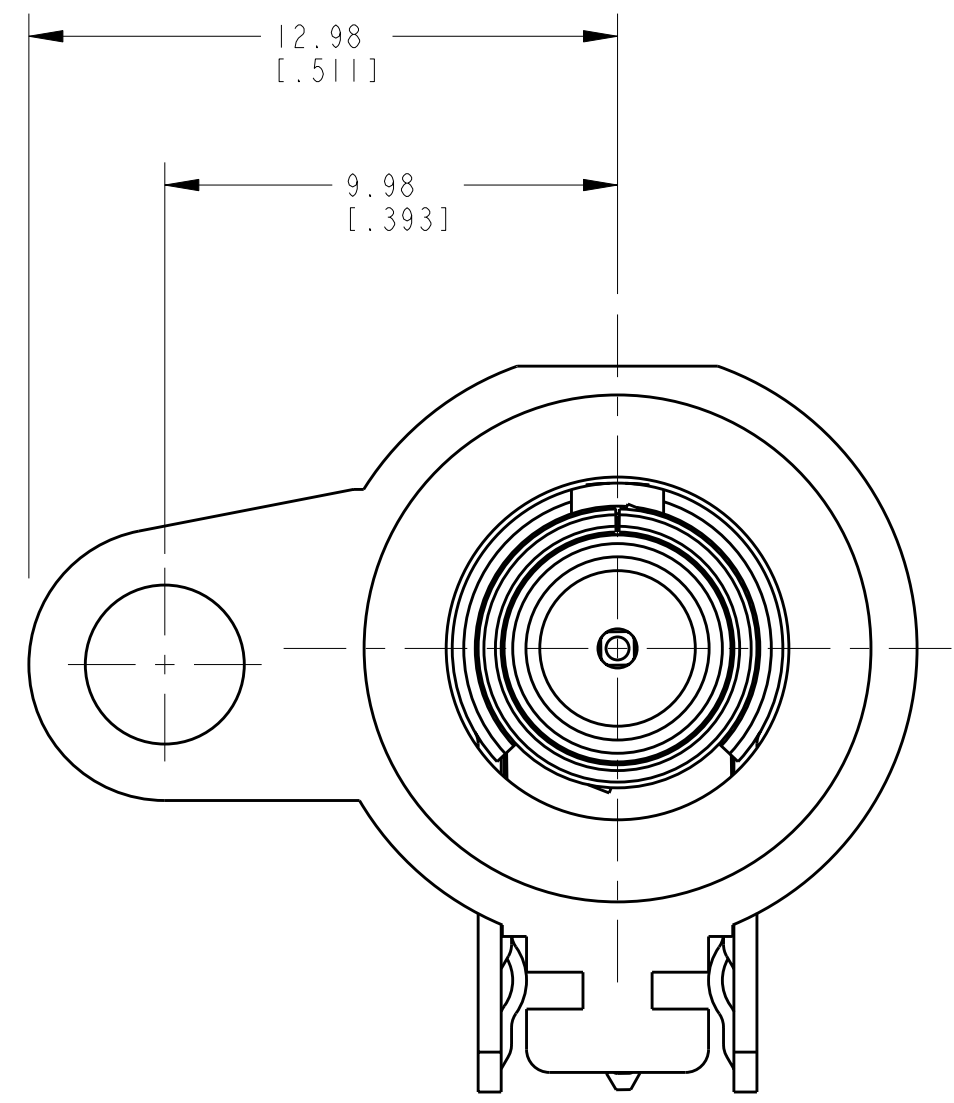
PCB JACK, SNAP-LOCK

114-13002

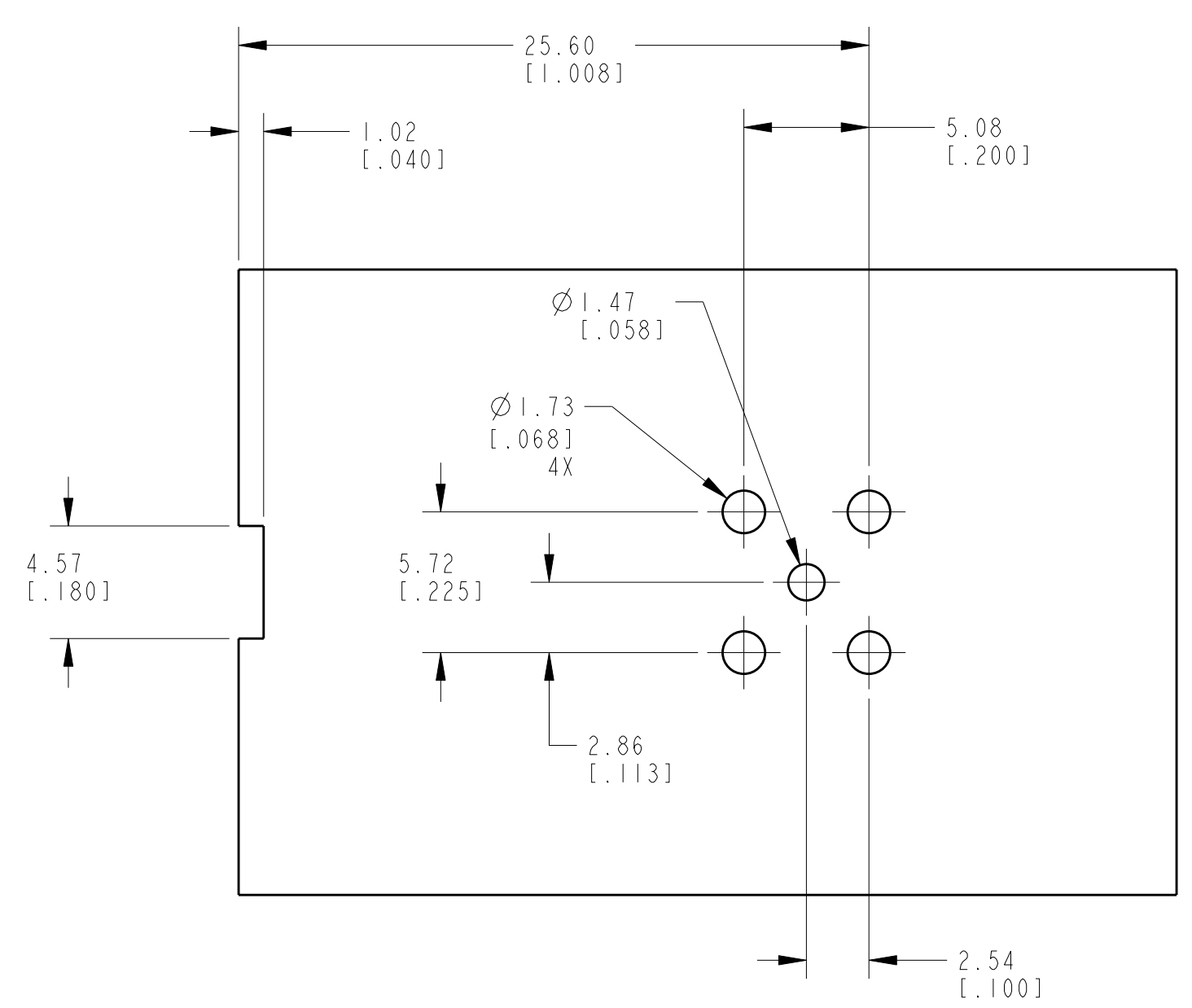
A1 00779 C=1326508

CUSTOMER DRAWING SCALE 4:1 SHEET 1 OF 3 REV J1

LOC	DIST	REVISIONS			
		REV	DATE	BY	APPD
GE	00	-	-	-	-
		SEE SHEET 1			



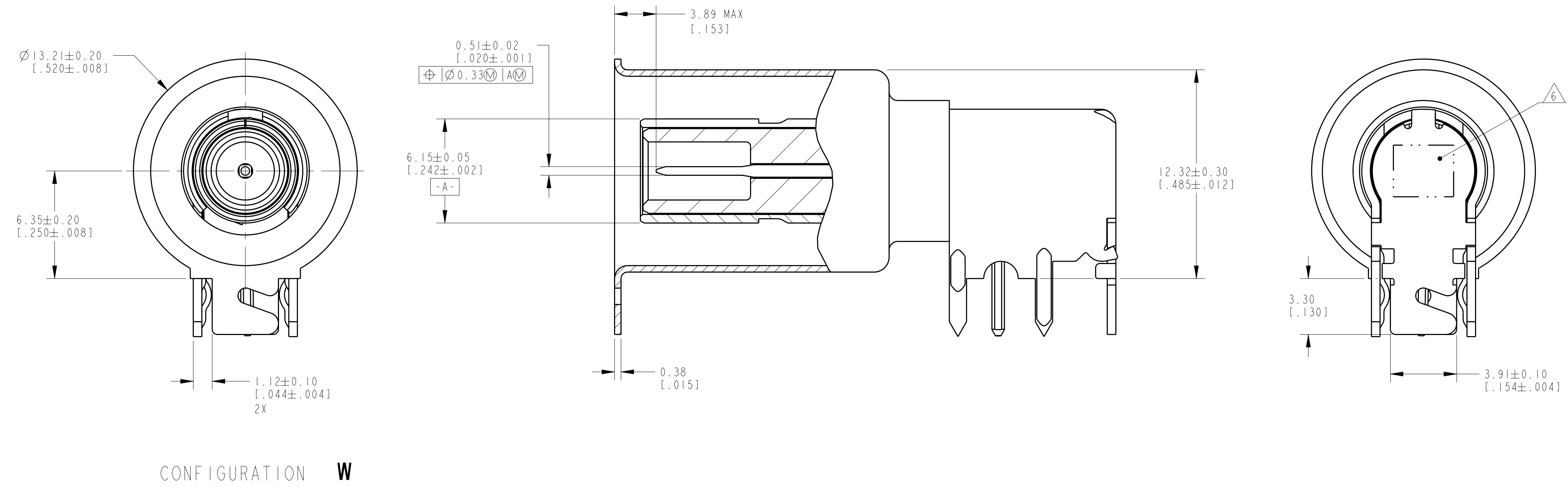
CONFIGURATION Z




RECOMMENDED PCB LAYOUT  
 FOR 1326508-3 ONLY  
 PCB LAYOUT TOLERANCES:  
 LOCATION = ±0.20 [0.008]  
 FEATURE SIZES = ±0.10 [0.004]  
 SCALE 4:1

THIS DRAWING IS A CONTROLLED DOCUMENT.		DWN A. HOLT	13NOV2002	TE Connectivity
DIMENSIONS: mm [INCHES]		CHK K. COBLE	13NOV2002	
		APVD K. COBLE	13NOV2002	
TOLERANCES UNLESS OTHERWISE SPECIFIED:		PRODUCT SPEC		NAME
9 PLC ± 7 PLC ± 5 PLC ±0.13 [0.005] 4 PLC ± ANGLES ± FINISH ±		APPLICATION SPEC		PCB JACK, SNAP-LOCK
MATERIAL		WEIGHT		SIZE CAGE CODE DRAWING NO
SEE NOTES		CUSTOMER DRAWING		A1 00779 C=1326508
SEE NOTES		SCALE 4:1		SHEET 2 OF 3 REV J1

LOC	DIST	REVISIONS			
		REV	DATE	BY	APPD
GE	00	-	-	-	-
		SEE SHEET 1			



CONFIGURATION W

THIS DRAWING IS A CONTROLLED DOCUMENT.		DWN A. HOLT	13NOV2002	 TE Connectivity
DIMENSIONS: mm [ INCHES ]		CHK K. COBLE	13NOV2002	
TOLERANCES UNLESS OTHERWISE SPECIFIED:		APVD K. COBLE	13NOV2002	NAME PCB JACK, SNAP-LOCK
0 PLC ±	1 PLC ±	PRODUCT SPEC		
2 PLC ±	3 PLC ±0.13(.005)	APPLICATION SPEC		
4 PLC ±	ANGLES ±	114-13002	SIZE A1	CAGE CODE 00779
MATERIAL SEE NOTES	FINISH SEE NOTES	WEIGHT -	DRAWING NO C=1326508	RESTRICTED TO -
CUSTOMER DRAWING		SCALE 6:1	SHEET 3	OF 3
			REV J	

## Looking for pricing, stock, or lifecycle information?

Click below to explore more details on WIN SOURCE:

 [View 1326508-6](#) on WIN SOURCE

 [TE Connectivity](#) Information

## Optimize Your Supply Chain with WIN SOURCE Solutions

-  Global Sourcing Solution
-  Obsolete Management
-  Cost Control Management
-  Shortage Management
-  Alternative Solution
-  Excess Inventory Management