



**THE DATASHEET OF
ZXMN6A09GQTA**



Product Summary

BV _{DSS}	R _{DS(ON)}	I _D T _A = +25°C
60V	0.04Ω @ V _{GS} = 10V	7.5A
	0.06Ω @ V _{GS} = 4.5V	6.2A

Description and Applications

This MOSFET is designed to meet the stringent requirements of Automotive applications. It is qualified to AEC-Q101, supported by a PPAP and is ideal for use in:

- DC-DC Converters
- Power Management Functions
- Disconnect Switches
- Motor Control

Features and Benefits

- 100% Unclamped Inductive Switch (UIS) Test in Production
- High Voltage
- Low On-Resistance
- Fast Switching Speed
- Low Gate Drive
- Low Threshold
- **Lead-Free Finish; RoHS Compliant (Notes 1 & 2)**
- **Halogen and Antimony Free. "Green" Device (Note 3)**
- **The ZXMN6A09GQ is suitable for automotive applications requiring specific change control and is AEC-Q101 qualified, is PPAP capable, and is manufactured in IATF16949:2016 certified facilities.**

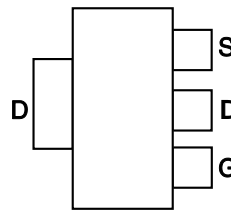
Mechanical Data

- Case: SOT223
- Case Material: Molded Plastic, "Green" Molding Compound; UL Flammability Classification Rating 94V-0
- Moisture Sensitivity: Level 1 per J-STD-020
- Terminals: Finish – Matte Tin Annealed over Copper Leadframe. Solderable per MIL-STD-202, Method 208E3
- Weight: 0.112 grams (Approximate)

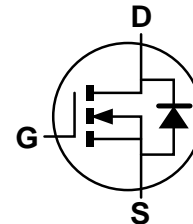
SOT223



Top View



Pin Out - Top View



Equivalent Circuit

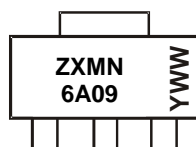
Ordering Information (Note 4)

Part Number	Case	Packaging
ZXMN6A09GQTA	SOT223	1,000/ Tape & Reel

- Notes:
1. EU Directive 2002/95/EC (RoHS), 2011/65/EU (RoHS 2) & 2015/863/EU (RoHS 3) compliant. All applicable RoHS exemptions applied.
 2. See <https://www.diodes.com/quality/lead-free/> for more information about Diodes Incorporated's definitions of Halogen- and Antimony-free, "Green" and Lead-free.
 3. Halogen- and Antimony-free "Green" products are defined as those which contain <900ppm bromine, <900ppm chlorine (<1500ppm total Br + Cl) and <1000ppm antimony compounds.
 4. For packaging details, go to our website at <https://www.diodes.com/design/support/packaging/diodes-packaging/>.

Marking Information

SOT223



ZXMN6A09 = Product Type Marking Code
 YWW = Date Code Marking
 Y = Last Digit of Year (ex: 9 = 2019)
 WW = Week Code (01 to 53)

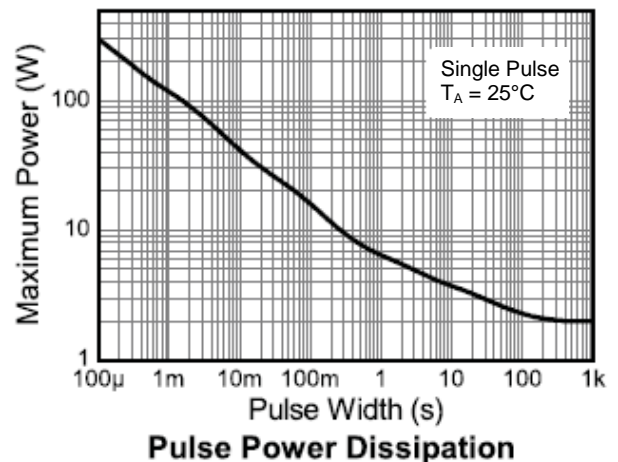
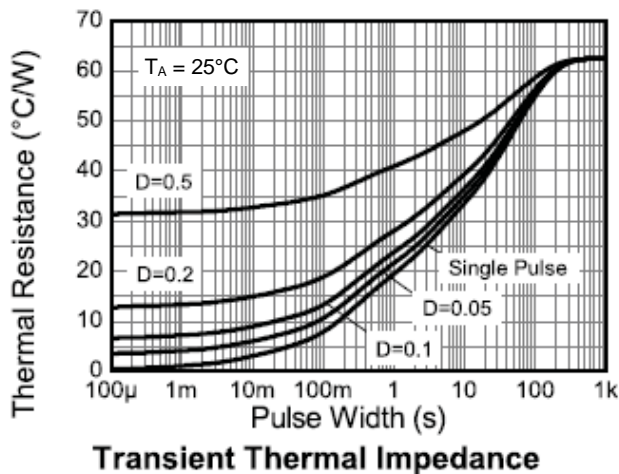
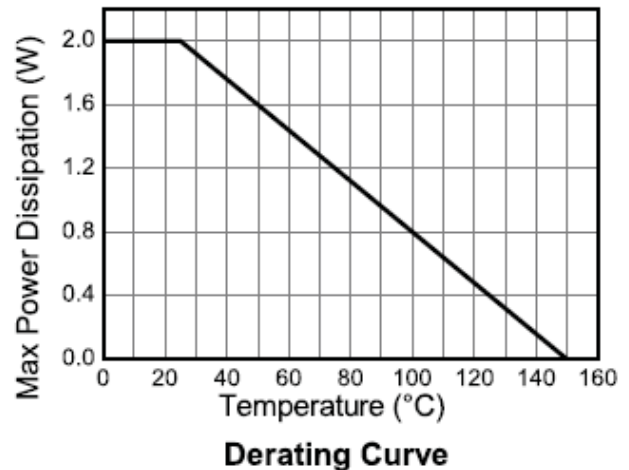
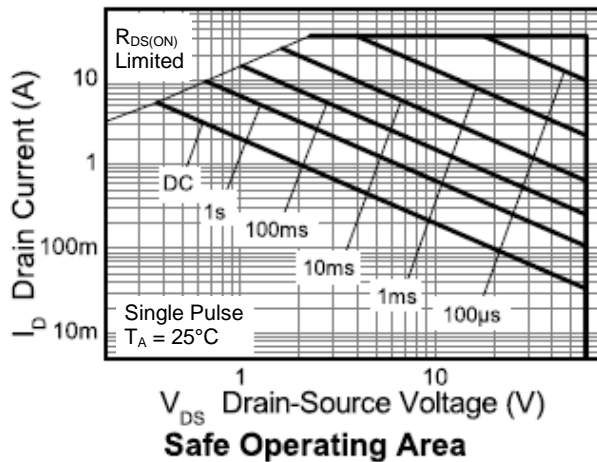
Maximum Ratings (@ $T_A = +25^\circ\text{C}$, unless otherwise specified.)

Characteristic	Symbol	Value	Unit
Drain-Source Voltage	V_{DS}	60	V
Gate-Source Voltage	V_{GS}	± 20	V
Continuous Drain Current @ $V_{GS} = 10\text{V}$; $T_A = +25^\circ\text{C}$ (Note 6)	I_D	7.5	A
@ $V_{GS} = 10\text{V}$; $T_A = +70^\circ\text{C}$ (Note 6)		6	
@ $V_{GS} = 10\text{V}$; $T_A = +25^\circ\text{C}$ (Note 5)		5.4	
Pulsed Drain Current (Note 7)	I_{DM}	33	A
Continuous Source Current (Body Diode) (Note 6)	I_S	3.5	A
Pulsed Source Current (Body Diode) (Note 7)	I_{SM}	33	A
Avalanche Current, $L = 0.1\text{mH}$	I_{AS}	1.17	A
Avalanche Energy, $L = 0.1\text{mH}$	E_{AS}	0.07	mJ

Thermal Characteristics (@ $T_A = +25^\circ\text{C}$, unless otherwise specified.)

Characteristic	Symbol	Value	Unit
Power Dissipation at $T_A = +25^\circ\text{C}$ (Note 5)	P_D	2.0	W
Linear Derating Factor		16	mW/ $^\circ\text{C}$
Power Dissipation at $T_A = +25^\circ\text{C}$ (Note 6)	P_D	3.9	W
Linear Derating Factor		31	mW/ $^\circ\text{C}$
Thermal Resistance, Junction to Ambient (Note 5)	$R_{\theta JA}$	62.5	$^\circ\text{C}/\text{W}$
Thermal Resistance, Junction to Ambient (Note 6)	$R_{\theta JA}$	32.2	$^\circ\text{C}/\text{W}$
Operating and Storage Temperature Range	T_J, T_{STG}	-55 to +150	$^\circ\text{C}$

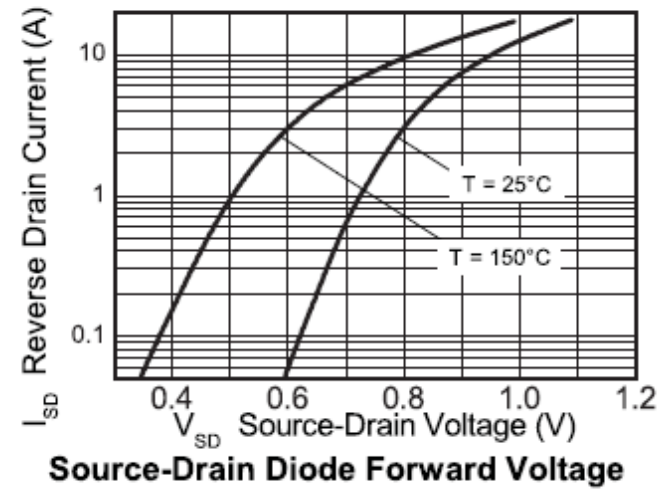
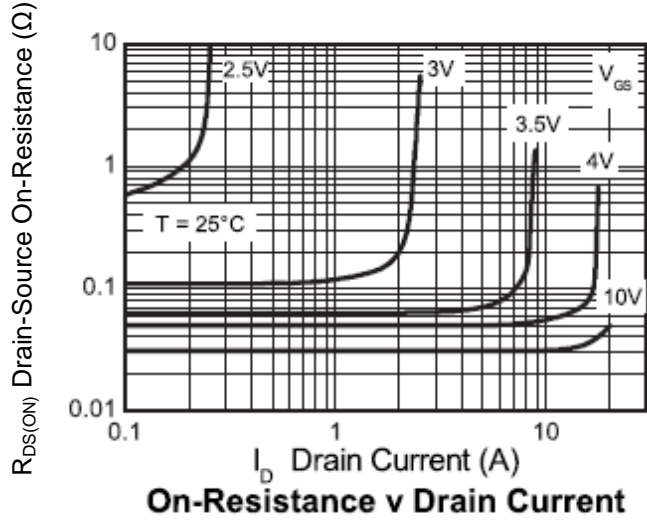
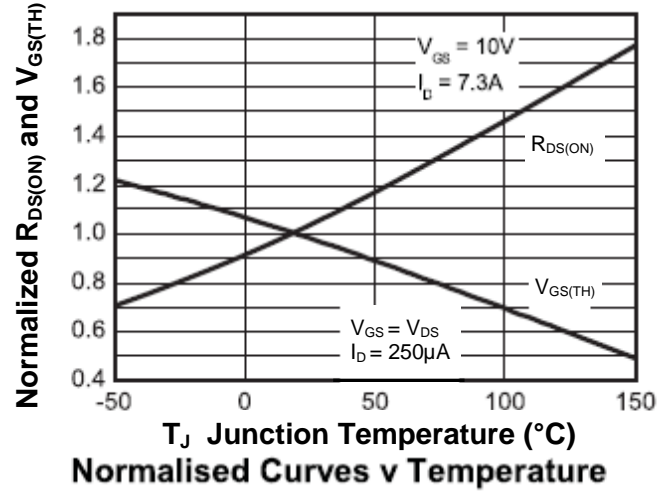
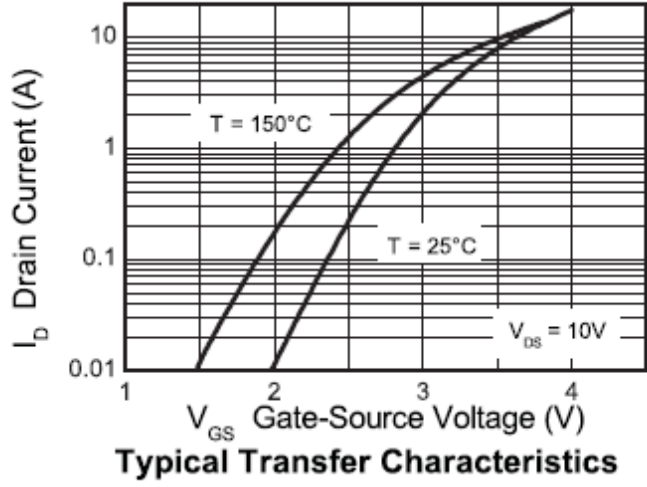
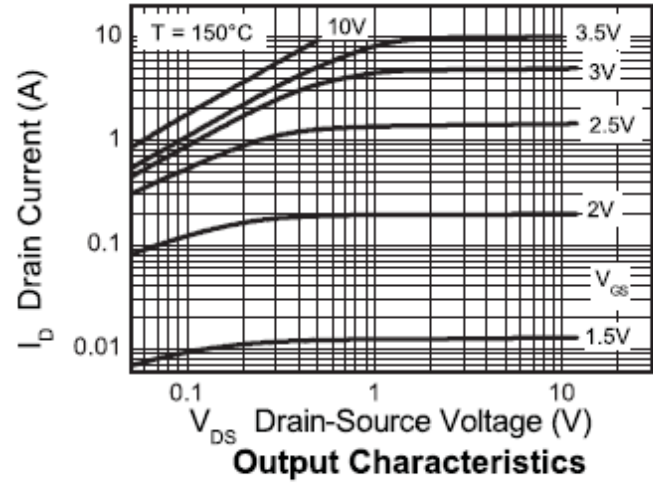
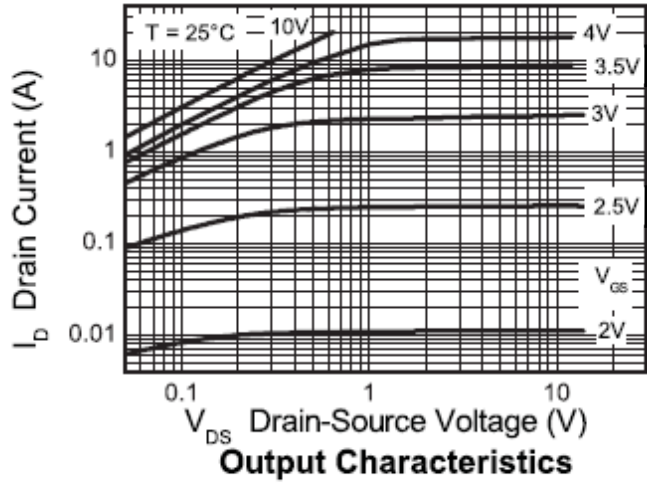
- Notes:
- For a device surface mounted on 25mm x 25mm FR-4 PCB with high coverage of single sided 1oz copper, in still air conditions.
 - For a device surface mounted on FR-4 PCB measured at $t \leq 10\text{s}$.
 - Repetitive rating 25mm x 25mm FR-4 PCB, $D = 0.02$ pulse width = 300 μs - pulse width limited by maximum junction temperature.

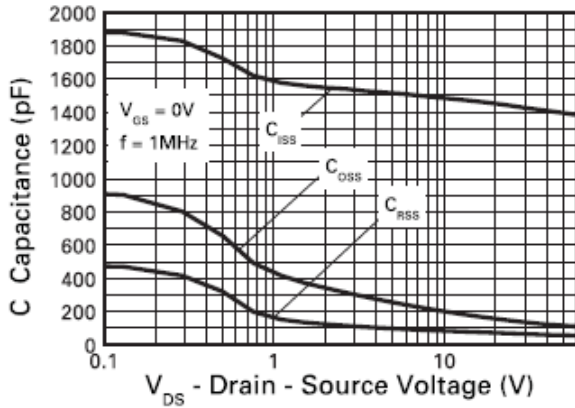


Electrical Characteristics (@T_A = +25°C, unless otherwise specified.)

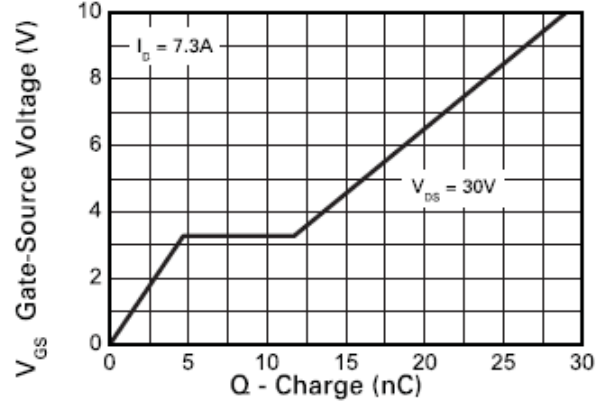
Characteristic	Symbol	Min	Typ	Max	Unit	Test Condition
OFF CHARACTERISTICS						
Drain-Source Breakdown Voltage	BV _{DSS}	60	—	—	V	V _{GS} = 0V, I _D = 250μA
Zero Gate Voltage Drain Current	I _{DSS}	—	—	1	μA	V _{DS} = 60V, V _{GS} = 0V
Gate-Source Leakage	I _{GSS}	—	—	100	nA	V _{GS} = ±20V, V _{DS} = 0V
ON CHARACTERISTICS						
Gate Threshold Voltage	V _{GS(TH)}	1	—	3	V	V _{DS} = V _{GS} , I _D = 250μA
Static Drain-Source On-Resistance (Note 8)	R _{DS(ON)}	—	0.02	0.04	Ω	V _{GS} = 10V, I _D = 8.2A
		—	0.03	0.06	Ω	V _{GS} = 4.5V, I _D = 7.4A
Diode Forward Voltage (Note 8)	V _{SD}	—	0.85	0.95	V	I _S = 6.6A, V _{GS} = 0V, T _J = +25°C
DYNAMIC CHARACTERISTICS						
Input Capacitance (Note 10)	C _{iss}	—	1407	—	pF	V _{DS} = 40V, V _{GS} = 0V, f = 1.0MHz
Output Capacitance (Note 10)	C _{oss}	—	121	—	pF	
Reverse Transfer Capacitance (Note 10)	C _{rss}	—	59	—	pF	
Total Gate Charge (Notes 9 & 10) V _{GS} = 5V	Q _g	—	12.4	—	nC	V _{DS} = 15V I _D = 3.5A
Total Gate Charge (Notes 9 & 10) V _{GS} = 10V	Q _g	—	24.2	—	nC	
Gate-Source Charge (Notes 9 & 10)	Q _{gs}	—	5.2	—	nC	
Gate-Drain Charge (Notes 9 & 10)	Q _{gd}	—	3.5	—	nC	
Turn-On Delay Time (Notes 9 & 10)	t _{D(ON)}	—	4.9	—	ns	V _{DD} = 15V, I _D = 3.5A, V _{GS} = 5V
Turn-On Rise Time (Notes 9 & 10)	t _R	—	5.0	—	ns	
Turn-Off Delay Time (Notes 9 & 10)	t _{D(OFF)}	—	25.3	—	ns	
Turn-Off Fall Time (Notes 9 & 10)	t _F	—	4.6	—	ns	
Reverse Recovery Time (Note 10)	t _{RR}	—	26.3	—	ns	I _F = 3.5A, di/dt = 100A/μs, T _J = +25°C
Reverse Recovery Charge (Note 10)	Q _{RR}	—	26.6	—	nC	

- Notes:
8. Measured under pulsed conditions. Pulse width ≤ 300μs; duty cycle ≤ 2%.
 9. Switching characteristics are independent of operating junction temperature.
 10. For design aid only, not subject to production testing.

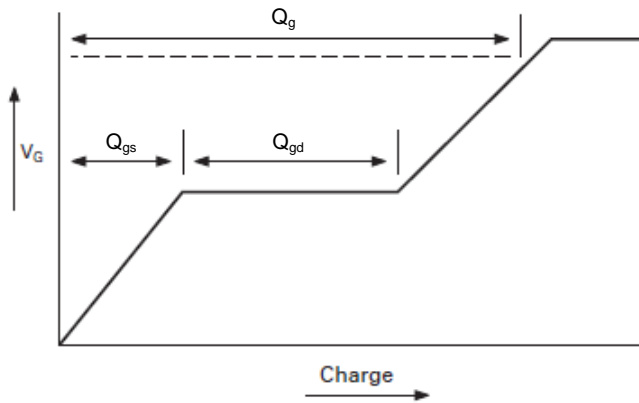




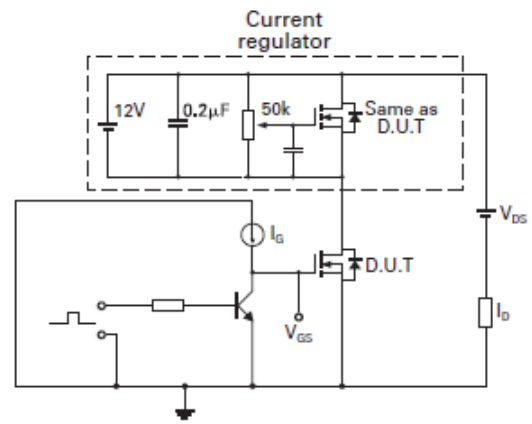
Capacitance v Drain-Source Voltage



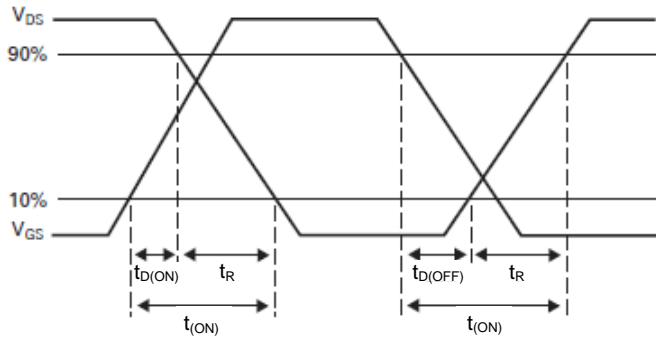
Gate-Source Voltage v Gate Charge



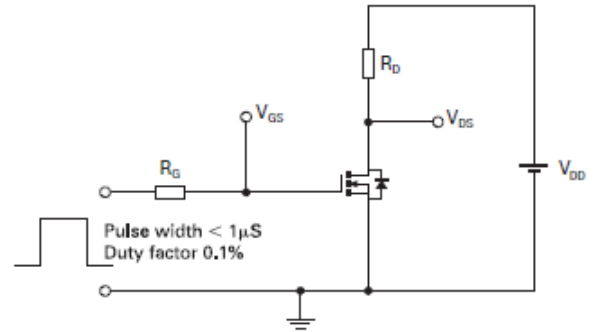
Basic gate charge waveform



Gate charge test circuit



Switching time waveforms

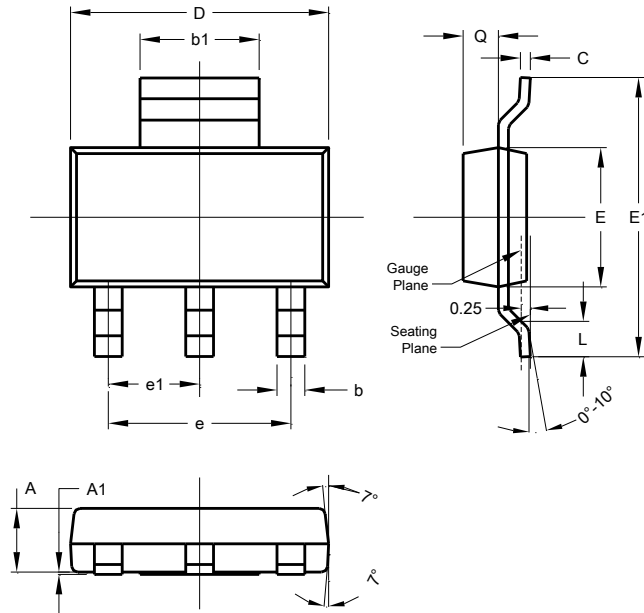


Switching time test circuit

Package Outline Dimensions

Please see <http://www.diodes.com/package-outlines.html> for the latest version.

SOT223

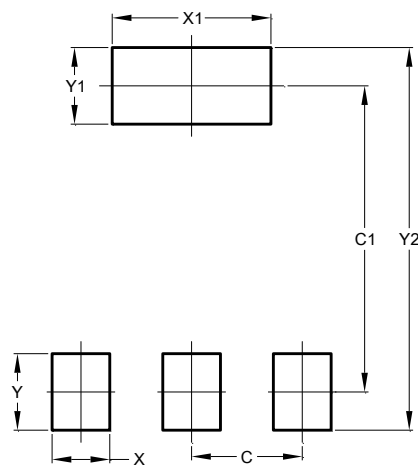


SOT223			
Dim	Min	Max	Typ
A	1.55	1.65	1.60
A1	0.010	0.15	0.05
b	0.60	0.80	0.70
b1	2.90	3.10	3.00
C	0.20	0.30	0.25
D	6.45	6.55	6.50
E	3.45	3.55	3.50
E1	6.90	7.10	7.00
e	-	-	4.60
e1	-	-	2.30
L	0.85	1.05	0.95
Q	0.84	0.94	0.89
All Dimensions in mm			

Suggested Pad Layout

Please see <http://www.diodes.com/package-outlines.html> for the latest version.

SOT223



Dimensions	Value (in mm)
C	2.30
C1	6.40
X	1.20
X1	3.30
Y	1.60
Y1	1.60
Y2	8.00

IMPORTANT NOTICE

DIODES INCORPORATED MAKES NO WARRANTY OF ANY KIND, EXPRESS OR IMPLIED, WITH REGARDS TO THIS DOCUMENT, INCLUDING, BUT NOT LIMITED TO, THE IMPLIED WARRANTIES OF MERCHANTABILITY AND FITNESS FOR A PARTICULAR PURPOSE (AND THEIR EQUIVALENTS UNDER THE LAWS OF ANY JURISDICTION).

Diodes Incorporated and its subsidiaries reserve the right to make modifications, enhancements, improvements, corrections or other changes without further notice to this document and any product described herein. Diodes Incorporated does not assume any liability arising out of the application or use of this document or any product described herein; neither does Diodes Incorporated convey any license under its patent or trademark rights, nor the rights of others. Any Customer or user of this document or products described herein in such applications shall assume all risks of such use and will agree to hold Diodes Incorporated and all the companies whose products are represented on Diodes Incorporated website, harmless against all damages.

Diodes Incorporated does not warrant or accept any liability whatsoever in respect of any products purchased through unauthorized sales channel. Should Customers purchase or use Diodes Incorporated products for any unintended or unauthorized application, Customers shall indemnify and hold Diodes Incorporated and its representatives harmless against all claims, damages, expenses, and attorney fees arising out of, directly or indirectly, any claim of personal injury or death associated with such unintended or unauthorized application.

Products described herein may be covered by one or more United States, international or foreign patents pending. Product names and markings noted herein may also be covered by one or more United States, international or foreign trademarks.

This document is written in English but may be translated into multiple languages for reference. Only the English version of this document is the final and determinative format released by Diodes Incorporated.

LIFE SUPPORT

Diodes Incorporated products are specifically not authorized for use as critical components in life support devices or systems without the express written approval of the Chief Executive Officer of Diodes Incorporated. As used herein:

A. Life support devices or systems are devices or systems which:

1. are intended to implant into the body, or
2. support or sustain life and whose failure to perform when properly used in accordance with instructions for use provided in the labeling can be reasonably expected to result in significant injury to the user.

B. A critical component is any component in a life support device or system whose failure to perform can be reasonably expected to cause the failure of the life support device or to affect its safety or effectiveness.

Customers represent that they have all necessary expertise in the safety and regulatory ramifications of their life support devices or systems, and acknowledge and agree that they are solely responsible for all legal, regulatory and safety-related requirements concerning their products and any use of Diodes Incorporated products in such safety-critical, life support devices or systems, notwithstanding any devices- or systems-related information or support that may be provided by Diodes Incorporated. Further, Customers must fully indemnify Diodes Incorporated and its representatives against any damages arising out of the use of Diodes Incorporated products in such safety-critical, life support devices or systems.

Copyright © 2019, Diodes Incorporated

www.diodes.com

Looking for pricing, stock, or lifecycle information?

Click below to explore more details on WIN SOURCE:

- ⊖ [View ZXMN6A09GQTA](#) on WIN SOURCE
- ⊖ [Diodes Incorporated](#) Information

Optimize Your Supply Chain with WIN SOURCE Solutions

- ✓ Global Sourcing Solution
- ✓ Obsolete Management
- ✓ Cost Control Management
- ✓ Shortage Management
- ✓ Alternative Solution
- ✓ Excess Inventory Management