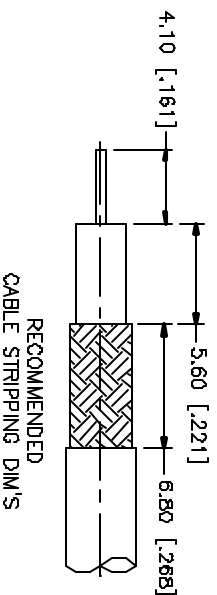
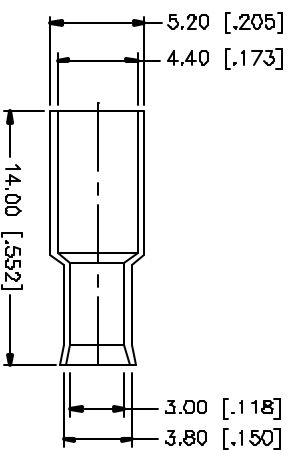
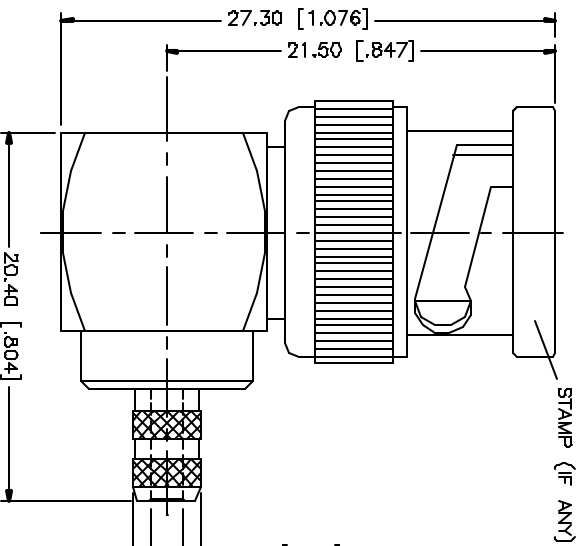




THE DATASHEET OF
112179




REV.	DATE	DESCRIPTION
A	01/28/03	REVISE BODY DIMENSIONS
B	04/29/04	REMOVE CENTER CONTACT PIN
C	12/30/04	MODIFY BARREL I.D. TO 1.7mm



TERIAL	FINISH	QTY	DO NOT SCALE DRAWING	CAD FILE	DWG. NO.	REV.	SIZE	SCALE
				C:/112/112179.DWG	112179.DWG	C	A	NA
UNLESS OTHERWISE SPECIFIED DIMENSIONS ARE IN MILLIMETERS. DIMENSIONS IN PARENTHESES ARE IN INCHES AND FOR CONVERSION PURPOSES ONLY. UNLESS OTHERWISE SPECIFIED TOLERANCES FOR MILLIMETERS ARE: 0.5 - .8mm ± 0.20mm .8 - .30mm ± 0.40mm .30 - 1.20mm ± 0.50mm UNLESS OTHERWISE SPECIFIED TOLERANCES FOR INCHES ARE: .020 - .315 ± 0.007" .315 - 1.180 ± 0.015" 1.180 - 4.724 ± 0.020"				APPROVALS DRAWN G.R.S. 12/30/04 CHECKED RELEASER SHEET 1 OF 1		Amphenol Comtex PART DESCRIPTION BNC R/A CRIMP PLUG - 75ohm (FOR RG-179 /U, 187A/U CABLE) 112179		

Looking for pricing, stock, or lifecycle information?

Click below to explore more details on WIN SOURCE:

 [View 112179 on WIN SOURCE](#)

 [Amphenol Information](#)

Optimize Your Supply Chain with WIN SOURCE Solutions

-  Global Sourcing Solution
-  Obsolete Management
-  Cost Control Management
-  Shortage Management
-  Alternative Solution
-  Excess Inventory Management