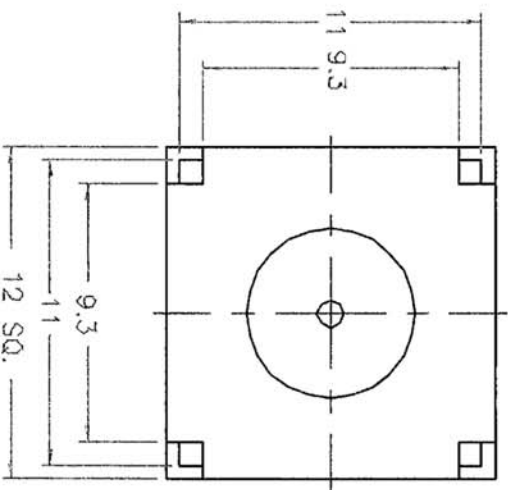
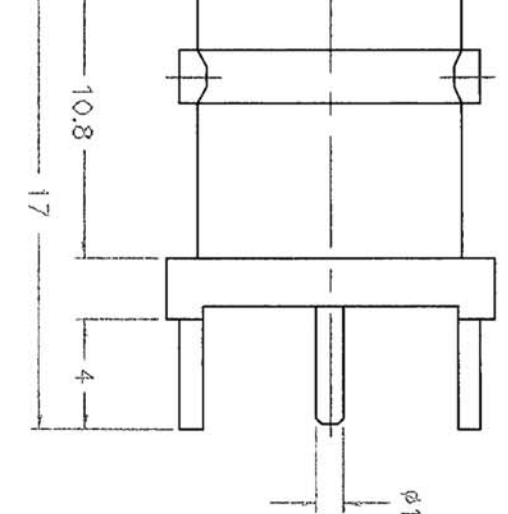





THE DATASHEET OF
112406




REV.	DATE	DESCRIPTION
A	07/14/97	CHANGE CONTACT MATERIAL



FINISH		DIMENSIONS ARE IN MILLIMETERS UNLESS OTHERWISE SPECIFIED TOLERANCES AND	APPROVALS		DATE	 STRAIGHT P.C.B. MOUNT RECEPTACLE	SIZE	FSCM NO.	DWG. NO.	REV.	
NICKEL	NATURAL		0.5-6 = ± 0.2	DRAWN	G.R.S.		07/14/97	A	99001	112406	A
			6-30 = ± 0.4	CHECKED							
PLATE	GOLD		30-120 = ± 0.6	ISSUED							
		120-315 = ± 1									
		315-1000 = ± 1.6									
		1000-2000 = ± 2.4									
DO NOT SCALE DRAWING						SCALE	4:1	PART NO.	112406	SHEET	1 OF 1

Looking for pricing, stock, or lifecycle information?

Click below to explore more details on WIN SOURCE:

 [View 112406 on WIN SOURCE](#)

 [Amphenol Information](#)

Optimize Your Supply Chain with WIN SOURCE Solutions

-  Global Sourcing Solution
-  Obsolete Management
-  Cost Control Management
-  Shortage Management
-  Alternative Solution
-  Excess Inventory Management