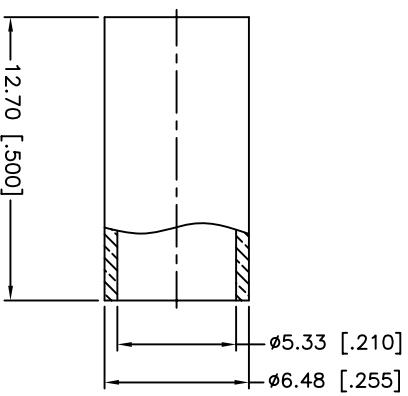
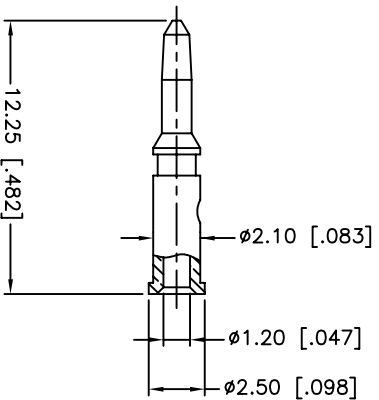
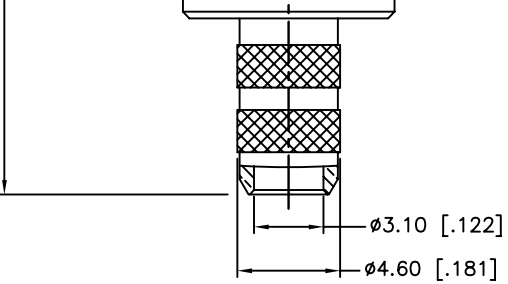
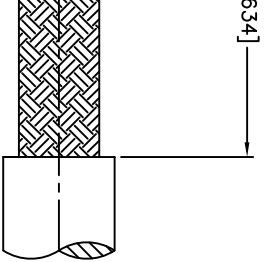




THE DATASHEET OF
112597



REV.	DATE	ECR NO.	DESCRIPTION
NC	07/29/98	-	INITIAL RELEASE
A	11/05/06	-	UPDATE DRAWING FORMAT
B	06/23/10	2062	ADD CRIMP DIMENSIONS AND CRIMP TOOL INFORMATION TO DRAWINGS



1. CRIMPED FERRULE
HEX: CRIMP SIZE .213"
2. CRIMPED CONTACT PIN
HEX: CRIMP SIZE .068"
3. CRIMP TOOL: A

Amphenol Connex

**BNC CRIMP PLUG
(FOR LMR200 CABLE)**

112597

QTY	DO NOT SCALE DRAWING
1	UNLESS OTHERWISE SPECIFIED DIMENSIONS ARE IN MILLIMETERS DIMENSIONS IN INCHES ARE IN PARENTHESES AND FOR CUSTOMER REFERENCE ONLY.
1	UNLESS OTHERWISE SPECIFIED TOLERANCES FOR MILLIMETERS ARE: 0.5 - 8mm ± 0.20mm 8 - 30mm ± 0.40mm 30 - 120mm ± 0.50mm
1	UNLESS OTHERWISE SPECIFIED TOLERANCES FOR INCHES ARE: .020 - .315 = ± 0.007" .315 - 1.180 = ± 0.015" 1.180 - 4.724 = ± 0.020"

APPROVALS	DATE
DRAWN M.ZHANG	06/23/10
CHECKED	
ISSUED	
SHEET 1 OF 1	

QAD FILE	DWG. NO.	REV.	SIZE	SCALE
C:/CONNEX/112597.DWG	112597.DWG	B	A	NA

Looking for pricing, stock, or lifecycle information?

Click below to explore more details on WIN SOURCE:

 [View 112597 on WIN SOURCE](#)

 [Amphenol Information](#)

Optimize Your Supply Chain with WIN SOURCE Solutions

-  Global Sourcing Solution
-  Obsolete Management
-  Cost Control Management
-  Shortage Management
-  Alternative Solution
-  Excess Inventory Management