

**WIN****SOURCE**  
**ELECTRONICS**

**THE DATASHEET OF**  
**1123684-7**



1123684-7 ✓ ACTIVE

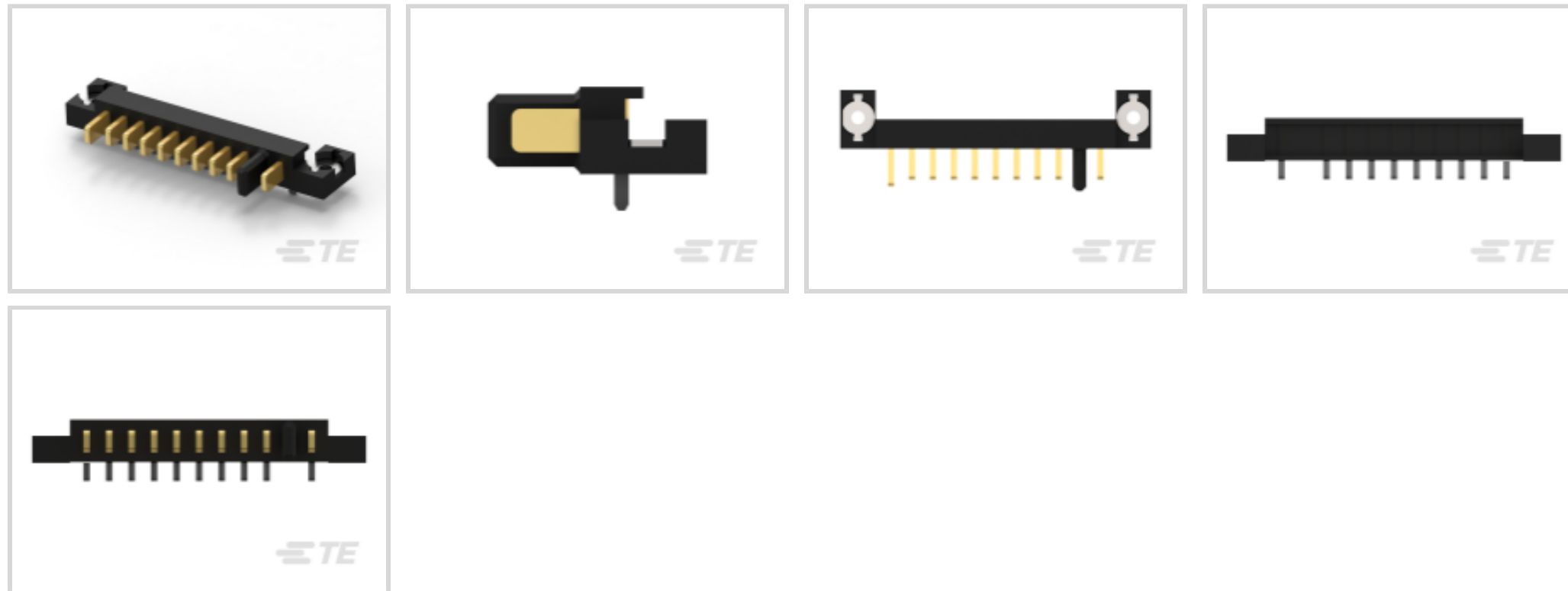


TE Internal #: 1123684-7

Board-to-Board, 10 Position, 2.5 mm [.098 in] Centerline, Plug, 30 VDC, Right Angle, Printed Circuit Board, Power & Signal, DC Jack Connectors

[View on TE.com >](#)

Connectors > PCB Connectors > Battery Connectors & Holders > DC Jack Connectors



Connector System: **Board-to-Board**

Number of Positions: **10**

Centerline (Pitch): **2.5 mm [.098 in]**

Connector & Housing Type: **Plug**

Operating Voltage: **30 VDC**

## Features

### Product Type Features

Connector System	Board-to-Board
Connector & Housing Type	Plug
Connector & Contact Terminates To	Printed Circuit Board

### Configuration Features

Number of Positions	10
PCB Mount Orientation	Right Angle

### Electrical Characteristics

Operating Voltage	30 VDC
-------------------	--------

### Contact Features

Contact Current Rating (Max)	6 A
------------------------------	-----

### Mechanical Attachment

PCB Mount Retention	With
PCB Mount Retention Type	Locating Post
Connector Mounting Type	Board Mount



### Housing Features

Centerline (Pitch)	2.5 mm [.098 in]
--------------------	------------------

### Usage Conditions

Operating Temperature Range	-20 – 80 °C [-4 – 176 °F]
-----------------------------	---------------------------

### Operation/Application

Circuit Application	Power & Signal
---------------------	----------------

### Packaging Features

Packaging Quantity	50
Packaging Method	Tray

### Product Compliance

[For compliance documentation, visit the product page on TE.com>](#)

EU RoHS Directive 2011/65/EU	Compliant
EU ELV Directive 2000/53/EC	Compliant
China RoHS 2 Directive MIIT Order No 32, 2016	No Restricted Materials Above Threshold
EU REACH Regulation (EC) No. 1907/2006	Current ECHA Candidate List: JUNE 2024 (241) Candidate List Declared Against: JUNE 2024 (241) Does not contain REACH SVHC
Halogen Content	Not Low Halogen - contains Br or Cl > 900 ppm.
Solder Process Capability	Wave solder capable to 265°C

#### Product Compliance Disclaimer

This information is provided based on reasonable inquiry of our suppliers and represents our current actual knowledge based on the information they provided. This information is subject to change. The part numbers that TE has identified as EU RoHS compliant have a maximum concentration of 0.1% by weight in homogenous materials for lead, hexavalent chromium, mercury, PBB, PBDE, DBP, BBP, DEHP, DIBP, and 0.01% for cadmium, or qualify for an exemption to these limits as defined in the Annexes of Directive 2011/65/EU (RoHS2). Finished electrical and electronic equipment products will be CE marked as required by Directive 2011/65/EU. Components may not be CE marked. Additionally, the part numbers that TE has identified as EU ELV compliant have a maximum concentration of 0.1% by weight in homogenous materials for lead, hexavalent chromium, and mercury, and 0.01% for cadmium, or qualify for an exemption to these limits as defined in the Annexes of Directive 2000/53/EC (ELV). Regarding the REACH Regulation, the information TE provides on SVHC in articles for this part number is based on the latest European Chemicals Agency (ECHA) 'Guidance on requirements for substances in articles' posted at this URL: <https://echa.europa.eu/guidance-documents/guidance-on-reach>

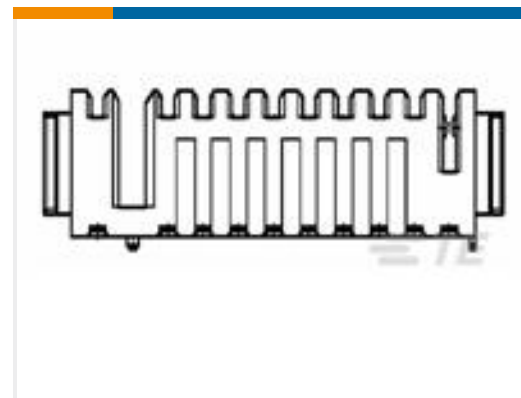
### Compatible Parts



TE Part # 1123688-3  
2.5 BATTERY REC ASSY 6P



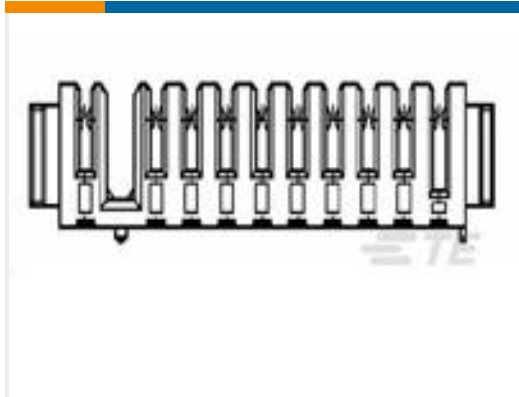
TE Part # 1674231-1  
2.5MM PITCH HIGH CURRENT BATTE



TE Part # 1-1123688-7  
RECEPTACLE ASSY.10POS, 2.5MM PITCH BATTE



TE Part # 1123688-7  
2.5 BATTERY CONN REC 10P



TE Part # 1565860-1  
2.5MM PITCH BATTERY CONNECTOR,



TE Part # 1612964-4  
2MM PITCH BATTERY REC. ASSY 10



TE Part # 1827622-2  
2mm pitch Battery Rec. Assy 10Pos.



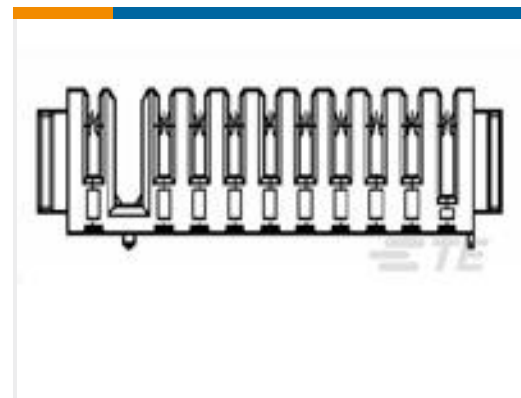
TE Part # 1-1473776-7  
2.5MM PITCH BATTERY REC ASSEMBLY SMT TYP



TE Part # 1746498-5  
2.5MM PITCH BATTERY CONNECTOR 8P



TE Part # 1123738-7  
2.5 BATTERY CONN PLUG 10P



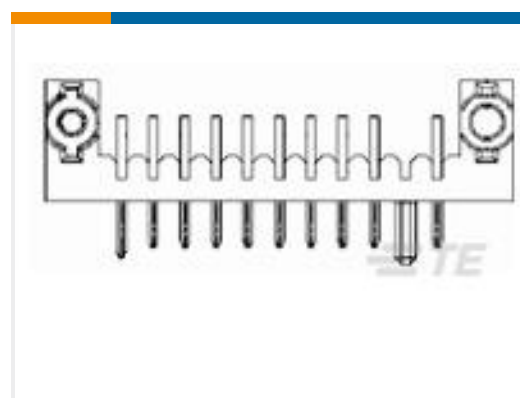
TE Part # 1473776-7  
2.5MM BATTERY REC ASSEMBLY



TE Part # 1565596-1  
PLUG ASSY FOR 2.5MM PITCH BATT



TE Part # 1674999-1  
PLUG ASSY,2.5MM PITCH BATTERY

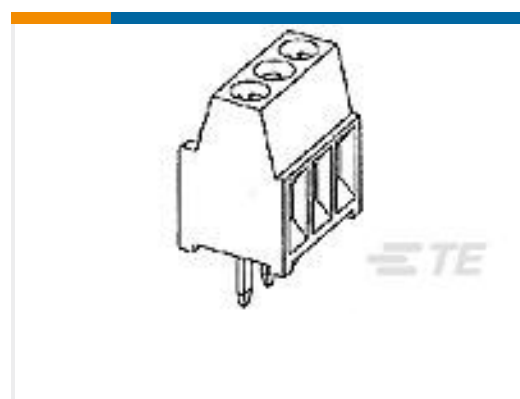


TE Part # 1717712-1  
2.5MM PITCH BATTERY PLUG ASSY OFF-SET TY

### Customers Also Bought



TE Part #1-1734592-2  
FPC CONN. 0.5MM PITCH B/C, 12P



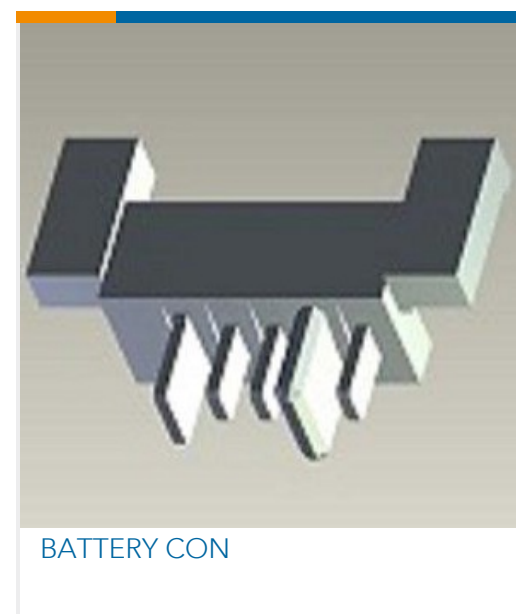
TE Part #1546551-2  
2P,STRAIGHT,SIDE ENTRY,3.5MM



TE Part #4-1625886-6  
1W SM M/OX 5% 8R2



TE Part #ADP-SMAF-NF-B-W  
SMA Jack to N Jack



## Documents

### Product Drawings

[2.5 BATTERY CONN PLUG 10P STD](#)

English

### CAD Files

[3D PDF](#)

English

**Customer View Model**

[ENG\\_CVM\\_1123684-7\\_C.2d\\_dxf.zip](#)

English

**Customer View Model**

[ENG\\_CVM\\_1123684-7\\_C.3d\\_igs.zip](#)

English

**Customer View Model**

[ENG\\_CVM\\_1123684-7\\_C.3d\\_stp.zip](#)

English

By downloading the CAD file I accept and agree to the [Terms and Conditions](#) of use.

### Datasheets & Catalog Pages

[POWER\\_CONNECTORS\\_CATALOG\\_SEC09\\_LAPTOPS\\_PORTABLES](#)

English

[2\\_PIECE\\_POWER\\_CONNECTORS\\_qrg\\_4-1773458-1](#)

English

### Product Specifications

[Product Specification](#)

English

1123684-7

Board-to-Board, 10 Position, 2.5 mm [.098 in] Centerline, Plug, 30 VDC, Right Angle,  
Printed Circuit Board, Power & Signal, DC Jack Connectors



Looking for pricing, stock, or lifecycle information?

Click below to explore more details on WIN SOURCE:

[View 1123684-7 on WIN SOURCE](#)

[TE Connectivity Information](#)

### Optimize Your Supply Chain with WIN SOURCE Solutions

- ✓ Global Sourcing Solution
- ✓ Obsolete Management
- ✓ Cost Control Management
- ✓ Shortage Management
- ✓ Alternative Solution
- ✓ Excess Inventory Management