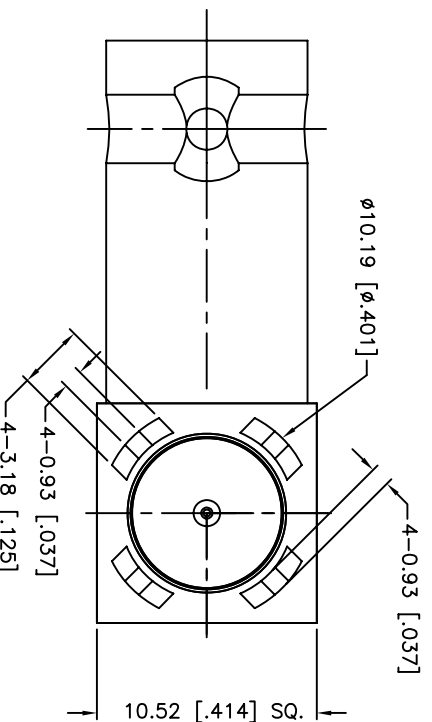
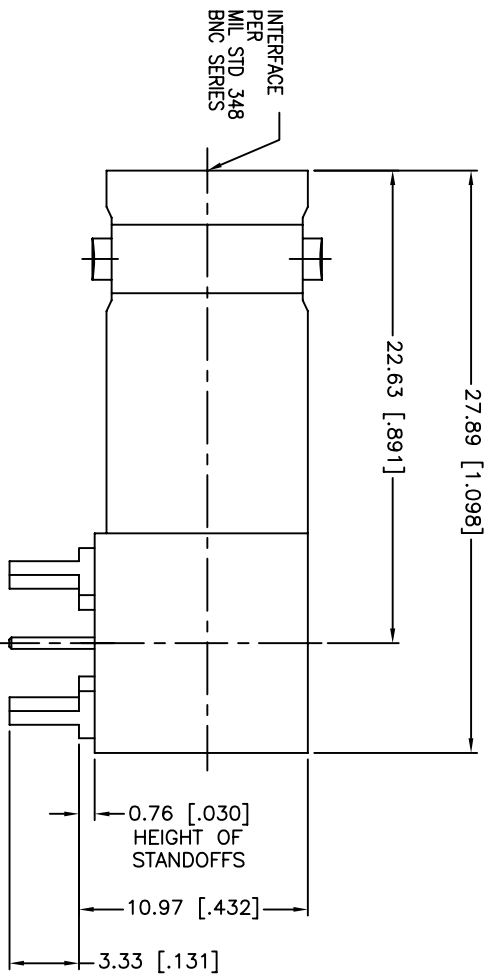




**THE DATASHEET OF**  
**112778**



REV.	DATE	ECR NO.	DESCRIPTION
NC	03/06/10	XXXXXX	INITIAL RELEASE
A	06/18/10	2060	CHANG LEG THICKNESS TO FIT INTO BOARD .062"



1. FREQUENCY RANGE: DC-4 GHz
2. VSWR(RETURN LOSS): -28 dB

# Amphenol Connex

PART DESCRIPTION  
**BNC R/A JACK RECEPTACLE PCB MOUNT**  
 (75 OHM)

PART NO. **112778**

APPROVALS	DATE
DRAWN M.ZHANG	06/18/10
CHECKED	
ISSUED	
SHEET 1 OF 1	

QAD FILE	DWG. NO.	REV.	SIZE	SCALE
C:/CONNEX/112778.DWG	112778.DWG	A	A	NA

UNLESS OTHERWISE SPECIFIED DIMENSIONS ARE IN MILLIMETERS DIMENSIONS IN INCHES ARE IN PARENTHESES AND FOR CUSTOMER REFERENCE ONLY.  
 TOLERANCES FOR MILLIMETERS ARE:  
 0.5 - 8mm ± 0.20mm  
 8 - 30mm ± 0.40mm  
 30 - 120mm ± 0.50mm  
 UNLESS OTHERWISE SPECIFIED TOLERANCES FOR INCHES ARE:  
 .020 - .315 = ± 0.007"  
 .315 - 1.180 = ± 0.015"  
 1.180 - 4.724 = ± 0.020"


QTY
1

57<sup>+0.08</sup><sub>-0.07</sub>  
 ±.003  
 6.55<sup>+0.13</sup><sub>-0.12</sub>  
 [.258±.005]  
 2

[.242±.004]

## Looking for pricing, stock, or lifecycle information?

Click below to explore more details on WIN SOURCE:

 [View 112778 on WIN SOURCE](#)

 [Amphenol Information](#)

## Optimize Your Supply Chain with WIN SOURCE Solutions

-  Global Sourcing Solution
-  Obsolete Management
-  Cost Control Management
-  Shortage Management
-  Alternative Solution
-  Excess Inventory Management