



**THE DATASHEET OF**  
**10018182-001LF**



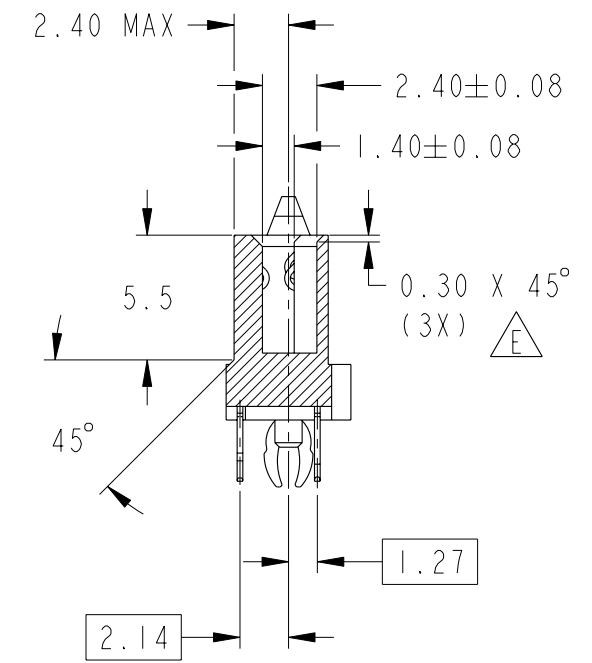
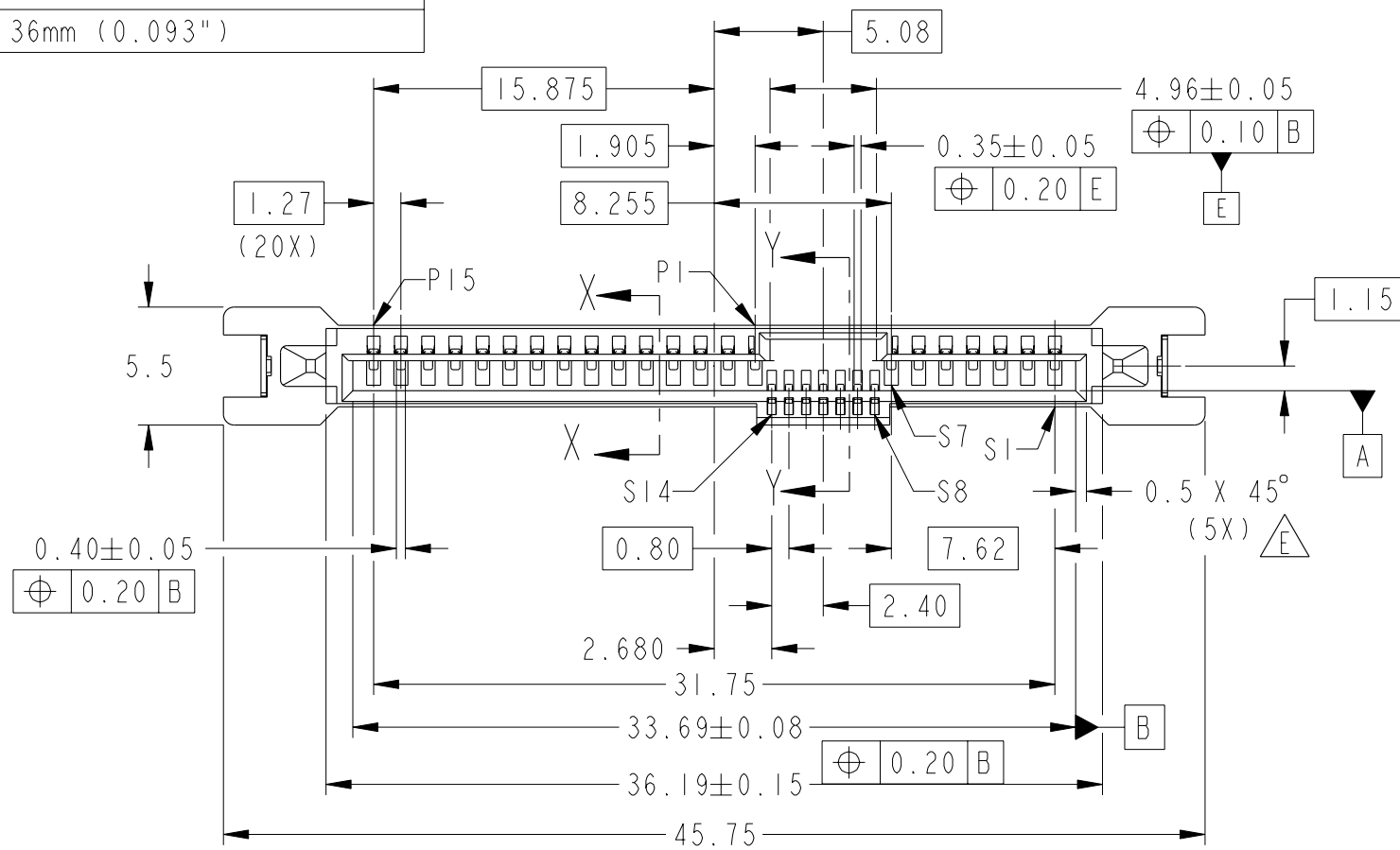
PRODUCT NO	DIM L	RECOMMENDED P.C. BOARD THICKNESS
10018182-00ILF	2.70	1.57mm (0.062") / 2.36mm (0.093")
10018182-01ILF	3.70	2.36mm (0.093")

A

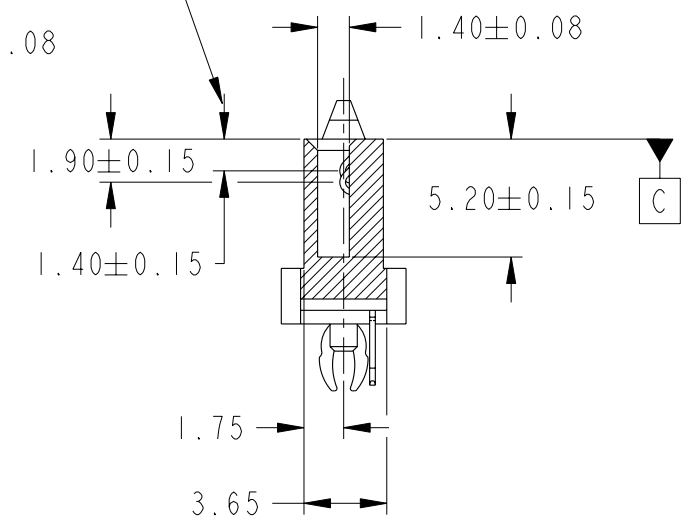
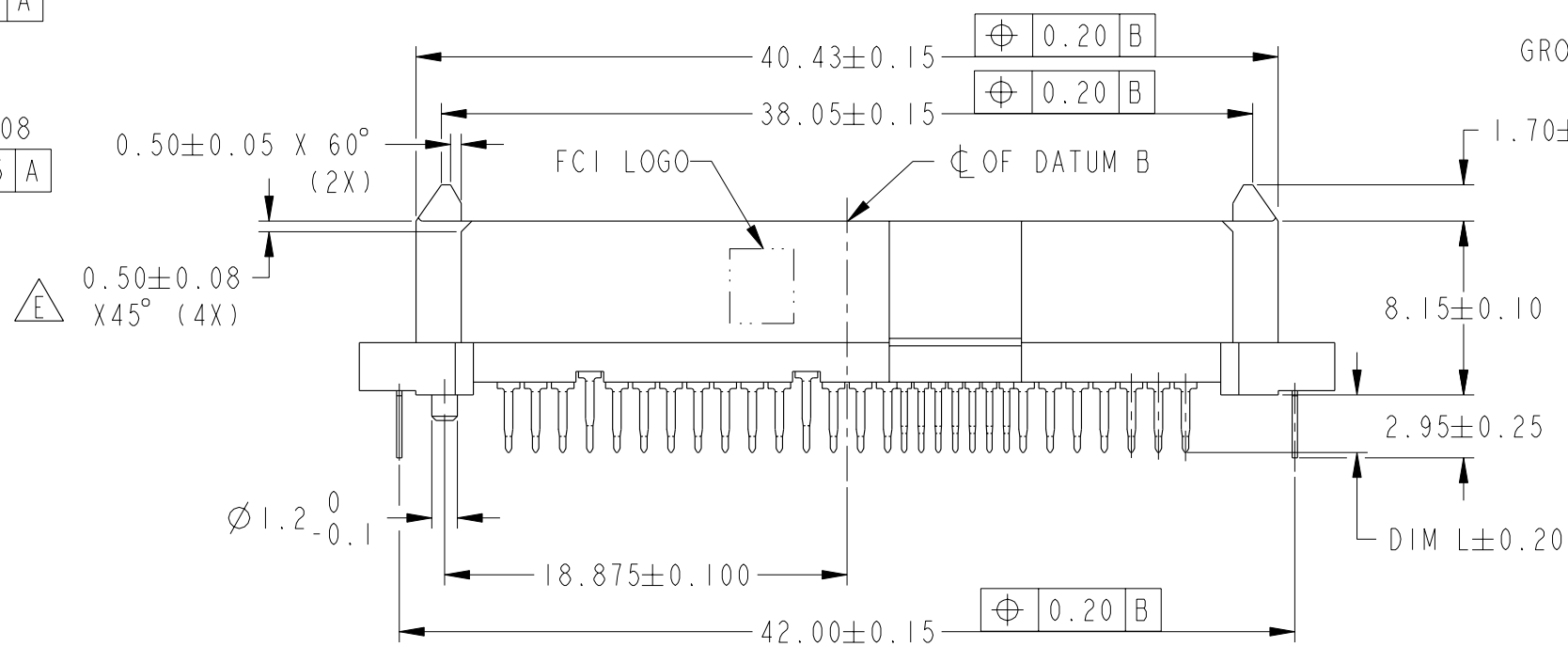
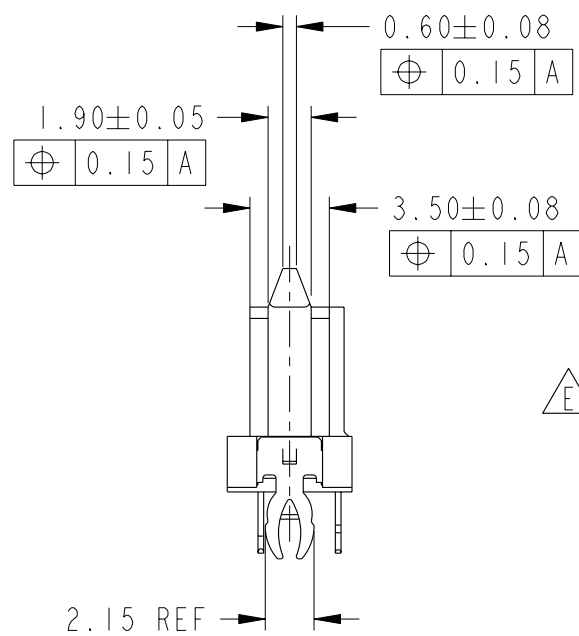
B

C

D



SECTION Y - Y



SECTION X - X

spec ref	-	dr	GL LOO	2004-02-27	projection	MM	size	A3	scale	3:1
tolerance std	ISO 406 ISO 1101	eng	GL LOO	2004-02-27			ecn no	S10-0228	rel level	-
TOLERANCES UNLESS OTHERWISE SPECIFIED		chr	GL LOO	2010-10-28						
surface	ISO 1302	appr	JOEY NG	2010-10-28	SAS RECEPTACLE VERTICAL TH TYPE ASSY		dwg no	10018182	rev	E
					cat. no.	-	Product - Customer Drw		sheet 1 of 2	

D

A

B

C

D





## Looking for pricing, stock, or lifecycle information?

Click below to explore more details on WIN SOURCE:

 [View 10018182-001LF on WIN SOURCE](#)

 [Amphenol Information](#)

## Optimize Your Supply Chain with WIN SOURCE Solutions

-  Global Sourcing Solution
-  Obsolete Management
-  Cost Control Management
-  Shortage Management
-  Alternative Solution
-  Excess Inventory Management