



**THE DATASHEET OF
RC21012A001GNA#BB0**



RC210xxA

VersaClock 7 Programmable Clock Generator Family

The RC210xxA (RC21012A and RC21008A) are high-performance programmable clock generators for compute, data-communications, and industrial applications.

Applications

- High-performance computing
- Data center accelerators
- Enterprise storage
- Switches and routers
- Industrial

Features

- 169fs RMS phase jitter (10kHz - 20MHz, 156.25MHz)
- PCIe® Gen6 Common Clock (CC) 27fs RMS
- PCIe SRIS and SRNS support
- 1kHz to 650MHz LVDS/LP-HCSL outputs

- 1kHz to 200MHz LVCMOS outputs
- Simple AC-coupling to LVPECL and CML
- LP-HCSL integrates 100Ω or 85Ω terminations
- Programmable General Purpose Inputs (GPI × 4) and General Purpose Input/Outputs (GPIO × 5)
- 1MHz I²C, 400kHz SMBus or 20MHz SPI Support
- Configuration via internal One-Time Programmable (OTP) memory (up to 27 different configurations), serial interface, or external I²C EEPROM.
- Factory programmable internal OTP
- 1.8V, 2.5V, 3.3V, -40° to +85°C operation
- RC21012A - 12 differential/24 single-ended outputs
 - 6 × 6 mm 48-QFN package
- RC21008A - 8 differential/16 single-ended outputs
 - 5 × 5 mm 40-QFN package with optional integrated crystal

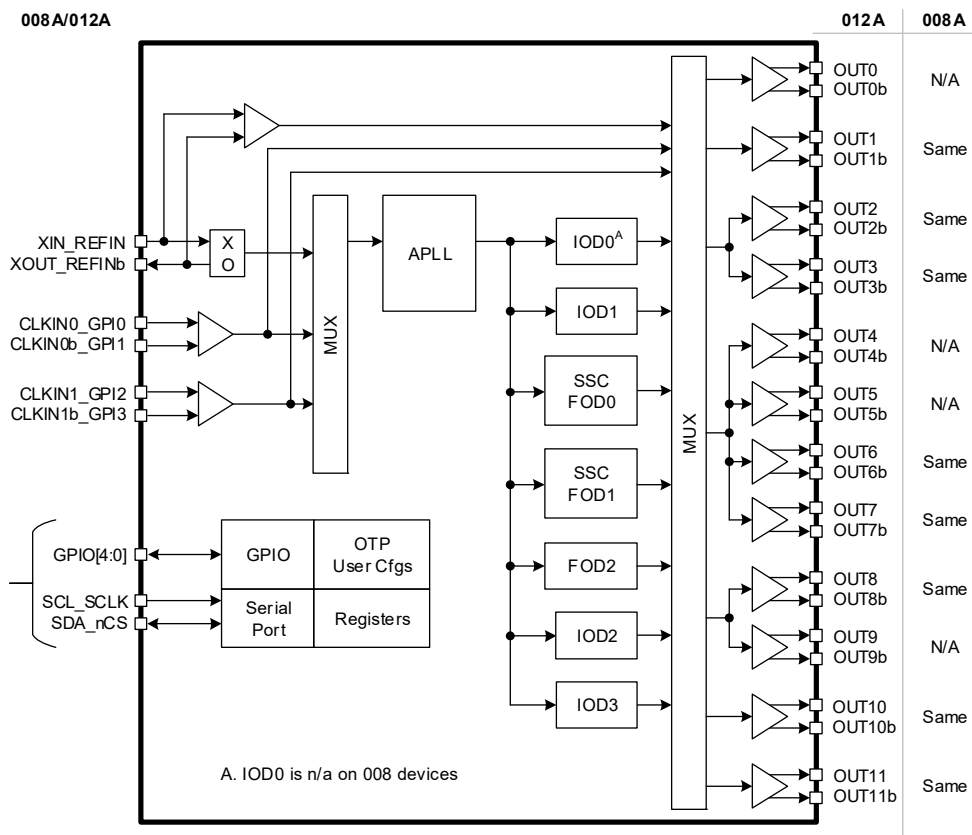


Figure 1. RC210xxA Block Diagram

Contents

1. Pin Information	7
1.1 Pin Assignments – RCxx012A	7
1.2 Pin Descriptions – RCxx012A	7
1.3 Pin Assignments – RCxx008A	10
1.4 Pin Descriptions – RCxx008A	10
1.5 Pin Assignments – RCxx008AQ	12
1.6 Pin Descriptions – RCxx008AQ	12
1.7 Pin Characteristics	14
2. Specifications	15
2.1 Absolute Maximum Ratings	15
2.2 Recommended Operating Conditions	16
2.3 Electrical Characteristics	16
3. Functional Description	41
3.1 Power-Up, Configuration, and Serial Interfaces	41
3.2 Input Clocks	41
3.2.1 Crystal/Reference Input	41
3.2.2 Clock Inputs	41
3.3 Clock Input Monitor	41
3.4 APLL	42
3.4.1 APLL Lock Detector	42
3.5 Output Dividers	42
3.5.1 Integer Output Dividers	42
3.5.2 Fractional Output Dividers	42
3.6 Clock Outputs	42
3.6.1 Output Types	42
3.6.2 Output Banks	43
4. Application Information	44
4.1 Recommendations for Unused Input and Output Pins	44
4.1.1 CLKIN/CLKINb [1:0] Inputs	44
4.1.2 LVCMOS Control Pins	44
4.1.3 LVCMOS Outputs	44
4.1.4 Differential Outputs	44
4.2 CLKIN/CLKINb Clock Inputs Interface	44
4.3 Overdriving the XTAL Interface	45
4.3.1 XTAL Interface Set to Input Buffer Mode	45
4.3.2 XTAL Interface in XO Mode, Input Buffer Mode Not Selected	45
4.4 Differential Output Terminations	47
4.4.1 Direct-Coupled LP-HCSL Termination	47
4.4.2 Direct-Coupled LVDS Termination	47
4.4.3 AC-Coupled Differential Terminations for Other Protocols	47
4.5 Crystal Recommendations	48
4.6 External I2C Serial EEPROM Recommendations	48
4.7 Power Considerations	48
4.7.1 Power Sequencing Considerations	48
5. Thermal Information	51
5.1 VFQFPN ePad Thermal Release Path	51
5.2 Thermal Characteristics	51

6. Package Outline Drawings	54
7. Marking Diagrams	54
8. Ordering Information	55
9. Revision History	56

Figures

Figure 1. RC210xxA Block Diagram	1
Figure 2. I2C/SMBus Slave Timing Diagram	37
Figure 3. SPI Bus Timing	39
Figure 4. Programmable Input Buffer Logical Diagram	44
Figure 5. Input Buffer Behavior by Protocol	45
Figure 6. 1.2V LVCMOS Driver to XTAL Input Interface	46
Figure 7. LVCMOS Driver to XTAL Input Interface	46
Figure 8. LVPECL Driver to XTAL Input Interface	46
Figure 9. Standard HCSL Termination	47
Figure 10. Standard LVDS Termination	47
Figure 11. AC-Coupling Termination	48
Figure 12. Power Supply Sequencing without PWRGD/PWRDN# or PWRGD/RESTART#	49
Figure 13. Power Supply Sequencing Recommendations – Power-Up Using PWRGD/PWRDN# or POR#	50
Figure 14. P.C. Assembly for Exposed Pad Thermal Release Path – Side View	51
Figure 15. Pin 1 Orientation in Tape and Reel Packaging	55

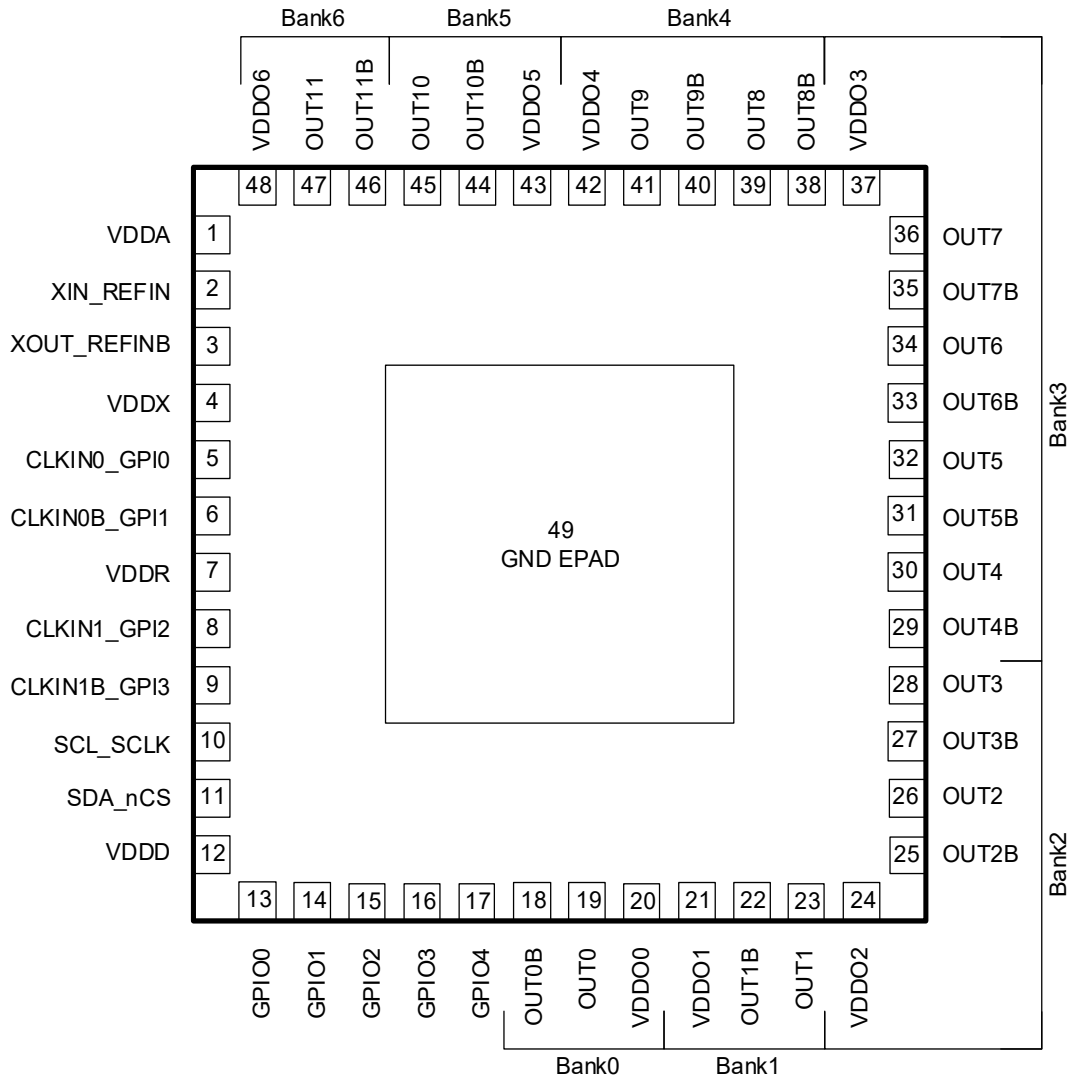
Tables

Table 1. RCxx012A Pin Descriptions	7
Table 2. RCxx008A Pin Descriptions	10
Table 3. RCxx008AQ Pin Descriptions	12
Table 4. Pin Characteristics	14
Table 5. Absolute Maximum Ratings	15
Table 6. Recommended Operating Conditions	16
Table 7. PCIe Refclk Jitter for VDDO = 1.8V	16
Table 8. PCIe Refclk Jitter for VDDO = 2.5V	18
Table 9. PCIe Refclk Jitter for VDDO = 3.3V	19
Table 10. Phase Jitter and Phase Noise – 1.8V VDDO	21
Table 11. Phase Jitter and Phase Noise – 2.5V VDDO	21
Table 12. Phase Jitter and Phase Noise – 3.3V VDDO	22
Table 13. Clock Input Frequencies	22
Table 14. External Crystal Characteristics	22
Table 15. Internal Crystal Characteristics (Q Versions Only)	23
Table 16. Output Frequencies and Startup Times	23
Table 17. Output-to-Output, Input-to-Output Skew – LP-HCSL Outputs 1.8V/2.5V/3.3V VDDO	23
Table 18. Output-to-Output, Input-to-Output Skew – LVDS Outputs 1.8V/2.5V/3.3V VDDO	24
Table 19. Output-to-Output, Input-to-Output Skew – LVCMOS Outputs 1.8V/2.5V/3.3V VDDO	24
Table 20. Zero-Delay Buffer Mode Static Phase Offset – 1.8V/2.5V/3.3V VDDO	25
Table 21. LVCMOS AC/DC Output Characteristics – 1.8V VDDO	25
Table 22. LVCMOS AC/DC Output Characteristics – 2.5V VDDO	25
Table 23. LVCMOS AC/DC Output Characteristics – 3.3V VDDO	26
Table 24. LVDS AC/DC Output Characteristics – 1.8V VDDO	26
Table 25. LVDS AC/DC Output Characteristics – 2.5V/3.3V VDDO	27
Table 26. LP-HCSL AC/DC Characteristics, Non-PCIe Frequencies – 1.8V VDDO	28
Table 27. LP-HCSL AC/DC Characteristics, Non-PCIe Frequencies – 2.5V/3.3V VDDO	29
Table 28. LP-HCSL AC/DC Characteristics, 100MHz PCIe – 1.8V VDDO	30
Table 29. LP-HCSL AC/DC Characteristics, 100MHz PCIe – 2.5V/3.3V VDDO	31
Table 30. 100MHz PCIe Output Clock Accuracy and SSC	32
Table 31. Spread-Spectrum Programmability	33
Table 32. GPI/GPIO Electrical Characteristics – 1.8V VDDD, VDDR, or VDDX	34
Table 33. GPI/GPIO Electrical Characteristics – 2.5V VDDD, VDDR, or VDDX	34
Table 34. GPI/GPIO Electrical Characteristics – 3.3V VDDD, VDDR, or VDDX	35
Table 35. CMOS GPI/GPIO Common Electrical Characteristics	35
Table 36. Power Supply Current	35
Table 37. I2C/SMBus Bus DC Electrical Characteristics	37
Table 38. I2C/SMBus Bus AC Electrical Characteristics	37
Table 39. SPI Slave Interface Electrical Characteristics	39
Table 40. Power Supply Noise Rejection	40
Table 41. Output Bank Source Mapping	43
Table 42. VDD Pin Assignments for Outputs, Integer Output Dividers, and Fractional Output Dividers	43
Table 43. Input Buffer Programming Options for Specific Signaling Protocols	45
Table 44. Thermal Characteristics (48-pin with External Crystal)	51
Table 45. Thermal Characteristics (40-pin with External Crystal)	52
Table 46. Thermal Characteristics (48-pin with Internal Crystal)	52
Table 47. Thermal Characteristics (40-pin with Internal Crystal)	52

Table 48. Thermal Characteristics (32-pin with Internal Crystal) 53

1. Pin Information

1.1 Pin Assignments – RCxx012A



1.2 Pin Descriptions – RCxx012A

Table 1. RCxx012A Pin Descriptions

Number	Name	Type	Description
1	VDDA	Power	Power supply for analog, 1.8/2.5/3.3V supported.
2	XIN_REFIN	I	Crystal Input or differential reference clock positive input / CMOS single-ended reference clock input.
3	XOUT_REFINb	I/O	Crystal Output or differential reference clock negative input. This pin should be connected to a crystal. If an oscillator is connected to XIN_REFIN, then this pin must be left unconnected.
4	VDDX	Power	Power supply for Crystal oscillator. 1.8/2.5/3.3V supported.
5	CLKIN0_GPI0	I	Differential clock positive input / CMOS single-ended reference clock input or general purpose input pin GPIO.

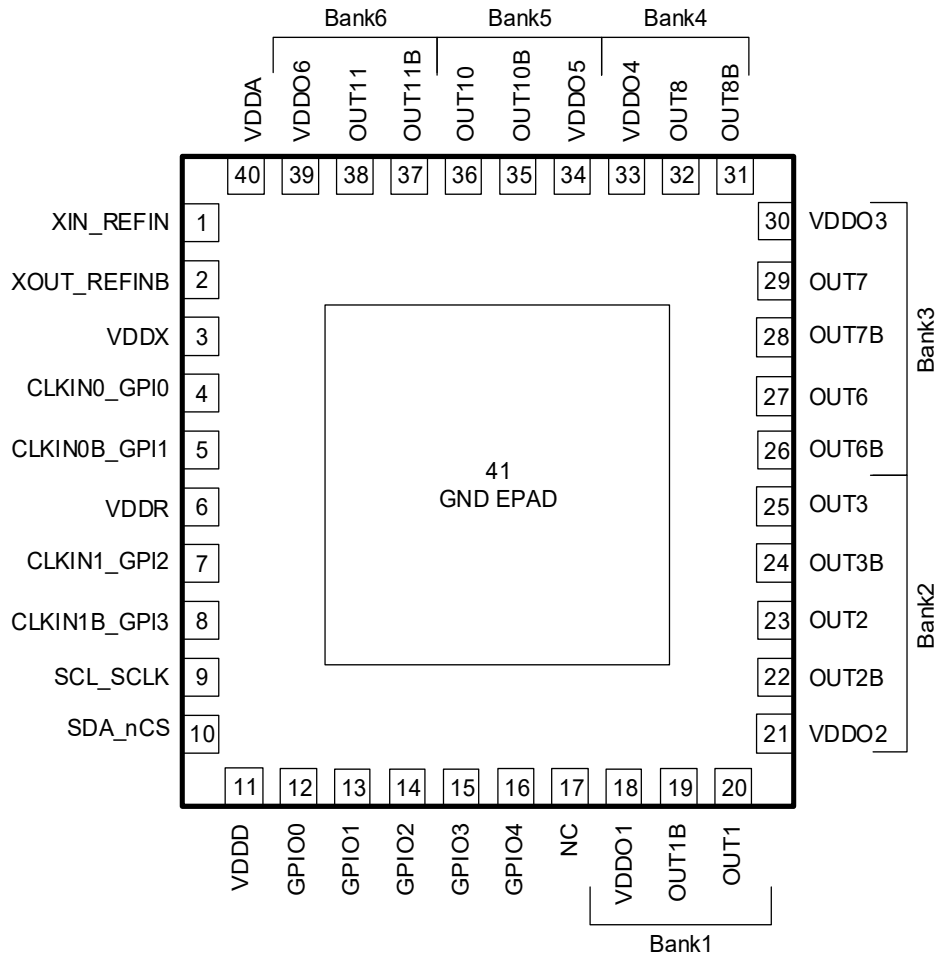
Table 1. RCxx012A Pin Descriptions (Cont.)

Number	Name	Type	Description
6	CLKIN0b_GPI1	I	Differential clock negative input / CMOS single-ended reference clock input or general purpose input pin GPI1.
7	VDDR	Power	Reference input supply. 1.8/2.5/3.3V supported.
8	CLKIN1_GPI2	I	Differential clock positive input / CMOS single-ended reference clock input or general purpose input pin GPI2.
9	CLKIN1b_GPI3	I	Differential clock negative input / CMOS single-ended reference clock input or general purpose input pin GPI3.
10	SCL_SCLK	I	I2C Mode: I ² C interface bi-directional clock. This pin is 3.3V tolerant.
11	SDA_nCS	I	I2C Mode: I ² C interface bi-directional data in open-drain mode. This pin is 3.3V tolerant.
12	VDDD	Power	Power supply for digital core. 1.8/2.5/3.3V supported. When programming the OTP, this supply must be 2.5V or 3.3V.
13	GPIO0	I/O	General purpose input/output. 3-level logic input during power-up and CMOS level logic after unless set to 3-level.
14	GPIO1	I/O	General purpose input/output. 3-level logic input during power-up and CMOS level logic after unless set to 3-level.
15	GPIO2	I/O	General purpose input/output. 3-level logic input during power-up and CMOS level logic after unless set to 3-level.
16	GPIO3	I/O	General purpose input/output.
17	GPIO4	I/O	General purpose input/output.
18	nOUT0b	O	Output Clock 0 negative.
19	OUT0	O	Output Clock 0 positive.
20	VDDO0	Power	Supply voltage for output bank 0 and IOD 0. 1.8/2.5/3.3V supported.
21	VDDO1	Power	Supply voltage for output bank 1 and IOD 1. 1.8/2.5/3.3V supported.
22	OUT1b	O	Output Clock 1 negative.
23	OUT1	O	Output Clock 1 positive.
24	VDDO2	Power	Supply voltage for output bank 2 and FOD 0. 1.8/2.5/3.3V supported.
25	OUT2b	O	Output Clock 2 negative.
26	OUT2	O	Output Clock 2 positive.
27	OUT3b	O	Output Clock 3 negative.
28	OUT3	O	Output Clock 3 positive.
29	OUT4b	O	Output Clock 4 negative.
30	OUT4	O	Output Clock 4 positive.
31	OUT5b	O	Output Clock 5 negative.
32	OUT5	O	Output Clock 5 positive.
33	OUT6b	O	Output Clock 6 negative.
34	OUT6	O	Output Clock 6 positive.
35	OUT7b	O	Output Clock 7 negative.
36	OUT7	O	Output Clock 7 positive.

Table 1. RCxx012A Pin Descriptions (Cont.)

Number	Name	Type	Description
37	VDDO3	Power	Supply voltage for output bank 3 and FOD 1. 1.8/2.5/3.3V supported.
38	OUT8b	O	Output Clock 8 negative.
39	OUT8	O	Output Clock 8 positive.
40	OUT9b	O	Output Clock 9 negative.
41	OUT9	O	Output Clock 9 positive.
42	VDDO4	Power	Supply voltage for output bank 4 and FOD 2. 1.8/2.5/3.3V supported.
43	VDDO5	Power	Supply voltage for output bank 5 and IOD 2. 1.8/2.5/3.3V supported.
44	OUT10b	O	Output Clock 10 negative.
45	OUT10	O	Output Clock 10 positive.
46	OUT11b	O	Output Clock 11 negative.
47	OUT11	O	Output Clock 11 positive.
48	VDDO6	Power	Supply voltage for output bank 6 and IOD 3. 1.8/2.5/3.3V supported.
EPAD	GND	Power	Ground. ePad must be connected to ground before any VDD is applied.

1.3 Pin Assignments – RCxx008A



1.4 Pin Descriptions – RCxx008A

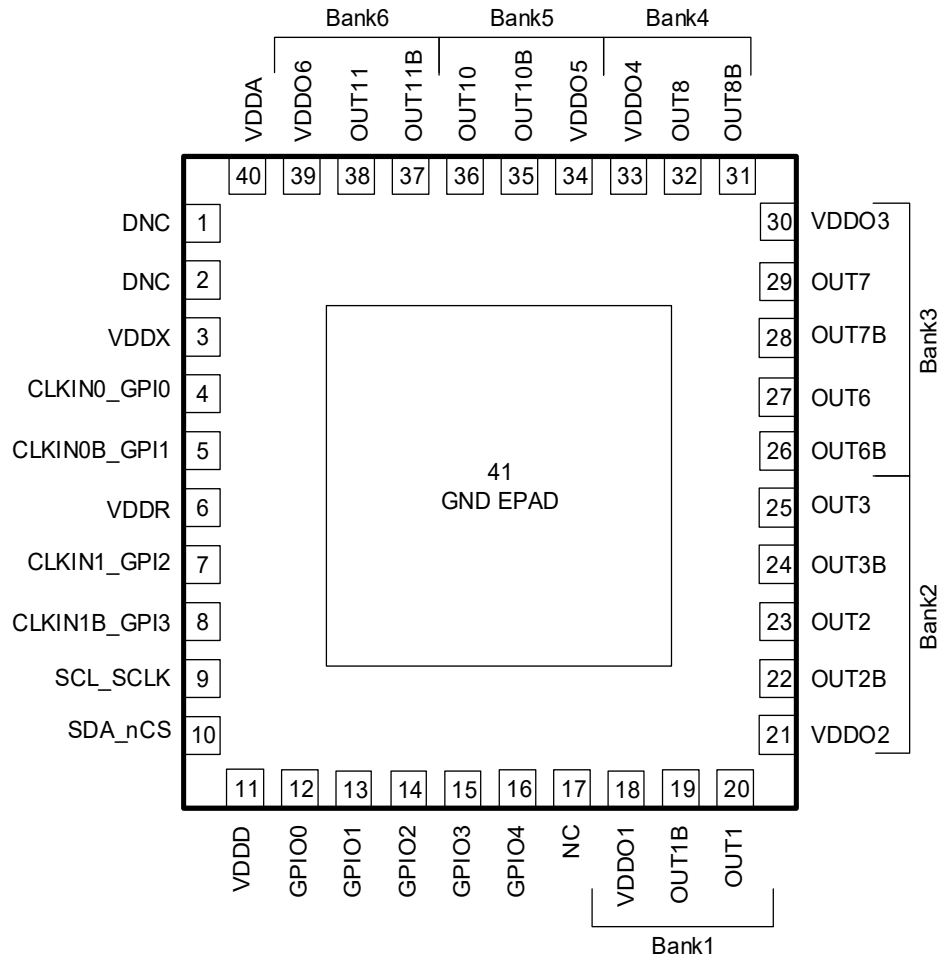
Table 2. RCxx008A Pin Descriptions

Number	Name	Type	Description
1	XIN_REFIN	I	Crystal Input or differential reference clock positive input / CMOS single-ended reference clock input.
2	XOUT_REFINb	I/O	Crystal Output or differential reference clock negative input. This pin should be connected to a crystal. If an oscillator is connected to XIN_REFIN, then this pin must be left unconnected.
3	VDDX	Power	Power supply for Crystal oscillator. 1.8/2.5/3.3V supported.
4	CLKIN0_GPI0	I	differential clock positive input / CMOS single-ended reference clock input or general purpose input pin GPIO.
5	CLKIN0b_GPI1	I	differential clock negative input / CMOS single-ended reference clock input or general purpose input pin GPI1.
6	VDDR	Power	Reference input supply. 1.8/2.5/3.3V supported.
7	CLKIN1_GPI2	I	Differential clock positive input / CMOS single-ended reference clock input or general purpose input pin GPI2.
8	CLKIN1b_GPI3	I	Differential clock negative input / CMOS single-ended reference clock input or general purpose input pin GPI3.

Table 2. RCxx008A Pin Descriptions (Cont.)

Number	Name	Type	Description
9	SCL_SCLK	I	I2C Mode: I ² C interface bi-directional clock. SPI Mode: Serial Clock This pin is 3.3V tolerant.
10	SDA_nCS	I/O	I2C Mode: I ² C interface bi-directional data in open-drain mode. SPI Mode: Chip Select (active low) This pin is 3.3V tolerant.
11	VDDD	Power	Power supply for digital core. 1.8/2.5/3.3V supported. When programming the OTP, this supply must be 2.5V or 3.3V.
12	GPIO0	I/O	General purpose input/output. 3-level logic input during power-up and CMOS level logic after unless set to 3-level.
13	GPIO1	I/O	General purpose input/output. 3-level logic input during power-up and CMOS level logic after unless set to 3-level.
14	GPIO2	I/O	General purpose input/output. 3-level logic input during power-up and CMOS level logic after unless set to 3-level.
15	GPIO3	I/O	General purpose input/output.
16	GPIO4	I/O	General purpose input/output.
17	NC	I	Not connected.
18	VDDO1	Power	Supply voltage for output bank 1 and IOD 1. 1.8/2.5/3.3V supported.
19	OUT1b	O	Output Clock 1 negative.
20	OUT1	O	Output Clock 1 positive
21	VDDO2	Power	Supply voltage for output bank 2 and FOD 0. 1.8/2.5/3.3V supported.
22	OUT2b	O	Output Clock 2 negative.
23	OUT2	O	Output Clock 2 positive.
24	OUT3b	O	Output Clock 3 negative.
25	OUT3	O	Output Clock 3 positive.
26	OUT6b	O	Output Clock 6 negative.
27	OUT6	O	Output Clock 6 positive.
28	OUT7b	O	Output Clock 7 negative.
29	OUT7	O	Output Clock 7 positive.
30	VDDO3	Power	Supply voltage for output bank 3 and FOD 1. 1.8/2.5/3.3V supported.
31	OUT8b	O	Output Clock 8 negative.
32	OUT8	O	Output Clock 8 positive.
33	VDDO4	Power	Supply voltage for output bank 4 and FOD 2. 1.8/2.5/3.3V supported.
34	VDDO5	Power	Supply voltage for output bank 5 and IOD 2. 1.8/2.5/3.3V supported.
35	OUT10b	O	Output Clock 10 negative.
36	OUT10	O	Output Clock 10 positive.
37	OUT11b	O	Output Clock 11 negative.
38	OUT11	O	Output Clock 11 positive.
39	VDDO6	Power	Supply voltage for output bank 6 and IOD 3. 1.8/2.5/3.3V supported.
40	VDDA	Power	Power supply for analog, 1.8/2.5/3.3V supported.
EPAD	GND	Power	Ground. ePad must be connected to ground before any VDD is applied.

1.5 Pin Assignments – RCxx008AQ



1.6 Pin Descriptions – RCxx008AQ

Table 3. RCxx008AQ Pin Descriptions

Number	Name	Type	Description
1	DNC	N/A	Do not connect. This pin should have no stubs.
2	DNC	N/A	Do not connect. This pin should have no stubs.
3	VDDX	Power	Power supply for Crystal oscillator. 1.8/2.5/3.3V supported.
4	CLKIN0_GPIO	I	Differential clock positive input / CMOS single-ended reference clock input or general purpose input pin GPIO.
5	CLKIN0b_GPIO1	I	Differential clock negative input / CMOS single-ended reference clock input or general purpose input pin GPI1.
6	VDDR	Power	Reference input supply. 1.8/2.5/3.3V supported.
7	CLKIN1_GPIO2	I	Differential clock positive input / CMOS single-ended reference clock input or general purpose input pin GPIO2.
8	CLKIN1b_GPIO3	I	Differential clock negative input / CMOS single-ended reference clock input or general purpose input pin GPI3.
9	SCL_SCLK	I	I ² C Mode: I ² C interface bi-directional clock. SPI Mode: Serial Clock This pin is 3.3V tolerant.

Table 3. RCxx008AQ Pin Descriptions (Cont.)

Number	Name	Type	Description
10	SDA_nCS	I/O	I ² C Mode: I ² C interface bi-directional data in open-drain mode. SPI Mode: Chip Select (active low) This pin is 3.3V tolerant.
11	VDDD	Power	Power supply for digital core. 1.8/2.5/3.3V supported. When programming the OTP, this supply must be 2.5V or 3.3V.
12	GPIO0	I/O	General purpose input/output. 3-level logic input during power-up and CMOS level logic after unless set to 3-level.
13	GPIO1	I/O	General purpose input/output. 3-level logic input during power-up and CMOS level logic after unless set to 3-level.
14	GPIO2	I/O	General purpose input/output. 3-level logic input during power-up and CMOS level logic after unless set to 3-level.
15	GPIO3	I/O	General purpose input/output.
16	GPIO4	I/O	General purpose input/output.
17	NC	I	Not connected.
18	VDDO1	Power	Supply voltage for output bank 1 and IOD 1. 1.8/2.5/3.3V supported.
19	OUT1b	O	Output Clock 1 negative.
20	OUT1	O	Output Clock 1 positive
21	VDDO2	Power	Supply voltage for output bank 2 and FOD 0. 1.8/2.5/3.3V supported.
22	OUT2b	O	Output Clock 2 negative.
23	OUT2	O	Output Clock 2 positive.
24	OUT3b	O	Output Clock 3 negative.
25	OUT3	O	Output Clock 3 positive.
26	OUT6b	O	Output Clock 6 negative.
27	OUT6	O	Output Clock 6 positive.
28	OUT7b	O	Output Clock 7 negative.
29	OUT7	O	Output Clock 7 positive.
30	VDDO3	Power	Supply voltage for output bank 3 and FOD 1. 1.8/2.5/3.3V supported.
31	OUT8b	O	Output Clock 8 negative.
32	OUT8	O	Output Clock 8 positive.
33	VDDO4	Power	Supply voltage for output bank 4 and FOD 2. 1.8/2.5/3.3V supported.
34	VDDO5	Power	Supply voltage for output bank 5 and IOD 2. 1.8/2.5/3.3V supported.
35	OUT10b	O	Output Clock 10 negative.
36	OUT10	O	Output Clock 10 positive.
37	OUT11b	O	Output Clock 11 negative.
38	OUT11	O	Output Clock 11 positive.
39	VDDO6	Power	Supply voltage for output bank 6 and IOD 3. 1.8/2.5/3.3V supported.
40	VDDA	Power	Power supply for analog, 1.8/2.5/3.3V supported.
EPAD	GND	Power	Ground. ePad must be connected to ground before any VDD is applied.

1.7 Pin Characteristics

Table 4. Pin Characteristics

Symbol	Parameter	Test Conditions	Minimum	Typical	Maximum	Unit
C_{IN}	Input Capacitance	CLKIN[1:0], CLKIN[1:0]b, GPI[0:3]	-	2	-	pF
		SCL_SCLK, SDA_nCS	-	3	-	
		XIN_REFIN [a]	-	5	-	
		XOUT_REFINb [a]	-	4	-	
		GPIO[0:4]	-	5	-	
R_{PULLUP}	Input Pull-Up Resistor	All pins with internal pull up capability	-	52.6	-	k Ω
$R_{PULLDOWN}$	Input Pull-Down Resistor	All pins with internal pull down capability	-	52.6	-	
Z_{OUTDC}	Single-ended LP-HCSL Output Impedance	50 Ω single-ended (100 Ω differential).	-	51	-	40 to 60 Ω
		42.5 Ω single-ended (85 Ω differential).	-	44	-	34 to 51 Ω
	LVCMOS Output Impedance	VDDO = 3.3V	-	17.3	-	Ω
		VDDO = 2.5V.	-	19.5	-	
		VDDO = 1.8V	-	17.6	-	

a. When used as clock input.

2. Specifications

The absolute maximum ratings are stress ratings only. Stresses greater than those listed below can cause permanent damage to the device. Functional operation of the RC210xxA at absolute maximum ratings is not implied. Exposure to absolute maximum rating conditions may affect device reliability.

2.1 Absolute Maximum Ratings

Table 5. Absolute Maximum Ratings

Symbol	Parameter	Conditions	Minimum	Maximum	Unit
V_{DD}	Supply Voltage with respect to Ground	Any VDD pin	-0.5	3.63	V
V_{IN}	Input Voltage ^[a]	XIN_REFIN, XOUT_REFIN ^b	-0.5	$V_{DD} + 0.3$	V
		CLKIN[1:0]_GPI[1:0], CLKIN[1:0]b_GPI[3:2]	-0.5	$V_{DD} + 0.3$	V
		GPIO[4:0] used as inputs	-0.5	$V_{DD} + 0.3$	V
		SCL_SCLK, SDA_nCS	-0.5	3.63	V
I_{IN}	Input Current	CLKIN[1:0]_GPI[1:0], CLKIN[1:0]b_GPI[3:2]	-	±50	mA
I_{OUT}	Output Current - Continuous	OUT[11:0], OUT[11:0]b	-	30	mA
		GPIO[4:0] used as outputs, SDA_nCS	-	25	mA
	Output Current - Surge	OUT[11:0], OUT[11:0]b	-	60	mA
		GPIO[4:0] used as outputs, SDA_nCS	-	50	mA
T_J	Maximum Junction Temperature		-	150	°C
T_S	Storage Temperature	Storage Temperature	-65	150	°C
ESD	Human Body Model	JESD22-A114 (JS-001) Classification	-	2000	V
	Charged Device Model	JESD22-C101 Classification	-	500	V

- a. VDD refers to the VDD pin that supplies the particular input. To determine to which VDD pin the specification applies, see [Table 42](#).
- b. This limit only applies when XIN_REFIN/XOUT_REFIN^b are configured as an "Input Buffer" for use with an external oscillator. No limit is implied when connected directly to a crystal.

2.2 Recommended Operating Conditions

Table 6. Recommended Operating Conditions [a][b]

Symbol	Parameter	Conditions	Minimum	Typical	Maximum	Unit
T_J	Maximum Junction Temperature	-	-	-	125	°C
T_A	Ambient Operating temperature	-	-40	-	85	°C
V_{DDx}	Supply Voltage with respect to Ground	Any VDD pin, 1.8V supply	1.71	1.8	1.89	V
		Any VDD pin, 2.5V supply	2.375	2.5	2.625	V
		Any VDD pin, 3.3V supply	3.135	3.3	3.465	V
t_{PU}	Power-up time for all VDDs to reach minimum specified voltage.	Power ramps must be monotonic. For more considerations, see Application Information .	0.2	-	5	ms

- a. All electrical characteristics are specified over Recommended Operating Conditions unless noted otherwise.
- b. All conditions in this table must be met to guarantee device functionality and performance.

2.3 Electrical Characteristics

Table 7. PCIe Refclk Jitter for VDDO = 1.8V [a][b]

Symbol	Parameter	Conditions	Typical	Maximum	PCIe Limit	Unit
$t_{jphPCIeG1-CC}$	PCIe Refclk Jitter in Clock Generator Mode (Common Clocked Architecture, SSC = 0%, -0.3%, -0.5%)	PCIe Gen 1 (2.5 GT/s)	4330	8622	86,000	fs pk-pk
$t_{jphPCIeG2-CC}$		PCIe Gen 2 Hi Band (5 GT/s)	265	547	3000	fs RMS
		PCIe Gen 2 Lo Band (5 GT/s)	76	210	3100	
$t_{jphPCIeG3-CC}$		PCIe Gen 3 (8 GT/s)	126	246	1000	
$t_{jphPCIeG4-CC}$		PCIe Gen 4 (16 GT/s) [c][d]	126	246	500	
$t_{jphPCIeG5-CC}$		PCIe Gen 5 (32 GT/s) [c][e]	49	95	150	
$t_{jphPCIeG6-CC}$		PCIe Gen 6 (64 GT/s) [c][f]	29	59	100	
$t_{jphPCIeG2-SRIS}$	PCIe Refclk Jitter Clock Generator Mode (SRIS Architecture, SSC = -0.5%)	PCIe Gen 2 (5 GT/s)	1342	1474	N/A [g]	fs RMS
$t_{jphPCIeG3-SRIS}$		PCIe Gen 3 (8 GT/s)	313	355		
$t_{jphPCIeG4-SRIS}$		PCIe Gen 4 (16 GT/s)	137	178		
$t_{jphPCIeG5-SRIS}$	PCIe Refclk Jitter Clock Generator Mode (SRIS Architecture, SSC = -0.3%)	PCIe Gen 5 (32 GT/s)	104	146		
$t_{jphPCIeG6-SRIS}$		PCIe Gen 6 (64 GT/s)	115	174		
$t_{jphPCIeG2-SRNS}$	PCIe Refclk Jitter in Clock Generator Mode (SRNS Architecture, SSC = 0%)	PCIe Gen 2 (5 GT/s)	137	277	N/A [g]	fs RMS
$t_{jphPCIeG3-SRNS}$		PCIe Gen 3 (8 GT/s)	61	131		
$t_{jphPCIeG4-SRNS}$		PCIe Gen 4 (16 GT/s)	61	131		
$t_{jphPCIeG5-SRNS}$		PCIe Gen 5 (32 GT/s)	24	52		
$t_{jphPCIeG6-SRNS}$		PCIe Gen 6 (64 GT/s)	15	31		

Table 7. PCIe Refclk Jitter for VDDO = 1.8V [a][b] (Cont.)

Symbol	Parameter	Conditions	Typical	Maximum	PCIe Limit	Unit
$t_{jphPCIeG1-CC}$	Additive PCIe Refclk Jitter in Fan-out Buffer Mode (CC Architecture, SSC = 0%, -0.3%, -0.5%)	PCIe Gen 1 (2.5 GT/s)	3242	10190	N/A [g][h]	fs pk-pk
$t_{jphPCIeG2-CC}$		PCIe Gen 2 Hi Band (5 GT/s)	201	656		fs RMS
$t_{jphPCIeG3-CC}$		PCIe Gen 2 Lo Band (5 GT/s)	44	160		
$t_{jphPCIeG4-CC}$		PCIe Gen 3 (8 GT/s)	88	268		
$t_{jphPCIeG5-CC}$		PCIe Gen 4 (16 GT/s) [c][d]	88	268		
$t_{jphPCIeG6-CC}$		PCIe Gen 5 (32 GT/s) [c][e]	34	102		
		PCIe Gen 6 (64 GT/s) [c][f]	22	67		
$t_{jphPCIeG2-SRIS}$	Additive PCIe Refclk Jitter in Fan-out Buffer Mode (SRIS Architecture, SSC = -0.5%)	PCIe Gen 2 (5 GT/s)	252	833	N/A [g][h]	fs RMS
$t_{jphPCIeG3-SRIS}$		PCIe Gen 3 (8 GT/s)	65	210		
$t_{jphPCIeG4-SRIS}$		PCIe Gen 4 (16 GT/s)	67	217		
$t_{jphPCIeG5-SRIS}$	Additive PCIe Refclk Jitter in Fan-out Buffer Mode (SRIS Architecture, SSC = -0.3%)	PCIe Gen 5 (32 GT/s)	58	192		
$t_{jphPCIeG6-SRIS}$		PCIe Gen 6 (64 GT/s)	76	257		
$t_{jphPCIeG2-SRNS}$	Additive PCIe Refclk Jitter in Fan-out Buffer Mode (SRNS Architecture, SSC = 0%)	PCIe Gen 2 (5 GT/s)	244	843	N/A [g][h]	fs RMS
$t_{jphPCIeG3-SRNS}$		PCIe Gen 3 (8 GT/s)	63	212		
$t_{jphPCIeG4-SRNS}$		PCIe Gen 4 (16 GT/s)	65	219		
$t_{jphPCIeG5-SRNS}$		PCIe Gen 5 (32 GT/s)	57	194		
$t_{jphPCIeG6-SRNS}$		PCIe Gen 6 (64 GT/s)	74	264		

- a. The Refclk jitter is measured after applying the filter functions found in *PCI Express Base Specification 6.0, Revision 0.9*. See the Test Loads section of the data sheet for the exact measurement setup. The worst case results for each data rate are summarized in this table. Equipment noise is removed from all measurements.
- b. Jitter measurements shall be made with a capture of at least 100,000 clock cycles captured by a real-time oscilloscope (RTO) with a sample rate of 20 GS/s or greater. Broadband oscilloscope noise must be minimized in the measurement. The measured PP jitter is used (no extrapolation) for RTO measurements. Alternately - Jitter measurements may be used with a Phase Noise Analyzer (PNA) extending (flat) and integrating and folding the frequency content up to an offset from the carrier frequency of at least 200 MHz (at 300 MHz absolute frequency) below the Nyquist frequency. For PNA measurements for the 2.5 GT/s data rate, the RMS jitter is converted to peak-to-peak jitter using a multiplication factor of 8.83.
- c. SSC spurs from the fundamental and harmonics are removed up to a cutoff frequency of 2 MHz taking care to minimize removal of any non-SSC content.
- d. Note that 0.7 ps RMS is to be used in channel simulations to account for additional noise in a real system.
- e. Note that 0.25 ps RMS is to be used in channel simulations to account for additional noise in a real system.
- f. Note that 0.15 ps RMS is to be used in channel simulations to account for additional noise in a real system.
- g. The *PCI Express Base Specification 6.0, Revision 0.9* provides the filters necessary to calculate SRIS and SRNS jitter values; it does not provide specification limits, hence the N/A in the Limit column. SRIS and SRNS values are informative only. A common practice is to split the common clock budget in half. For 16GT/s data rates and above, the user must choose whether to use the output jitter specification, or the input jitter specification, which includes an allocation for the jitter added by the channel. Using 32GT/s, the Refclk jitter budget is 150fs RMS. One half of the Refclk jitter budget is 106fs RMS. At the clock input, the system must deliver 250fs RMS. One half of this value is 177fs RMS. If the clock is placed next to the PCIe device in an SRIS system, the channel is very short and the user may choose to use this more relaxed value as the jitter limit.
- h. The RMS sum of the source jitter and the additive jitter must be less than the jitter specification listed for the clock generator operating mode.

Table 8. PCIe Refclk Jitter for VDDO = 2.5V [a][b]

Symbol	Parameter	Conditions	Typical	Maximum	PCIe Limit	Unit
t _{jph} PCIeG1-CC	PCIe Refclk Jitter in Clock Generator Mode (Common Clocked Architecture, SSC = 0%, -0.3%, -0.5%)	PCIe Gen 1 (2.5 GT/s)	4054	5248	86,000	fs pk-pk
t _{jph} PCIeG2-CC		PCIe Gen 2 Hi Band (5 GT/s)	241	322	3000	fs RMS
t _{jph} PCIeG3-CC		PCIe Gen 2 Lo Band (5 GT/s)	67	142	3100	
t _{jph} PCIeG4-CC		PCIe Gen 3 (8 GT/s)	118	150	1000	
t _{jph} PCIeG5-CC		PCIe Gen 4 (16 GT/s) [c][d]	118	150	500	
t _{jph} PCIeG6-CC		PCIe Gen 5 (32 GT/s) [c][e]	46	60	150	
t _{jph} PCIeG6-CC		PCIe Gen 6 (64 GT/s) [c][f]	28	35	100	
t _{jph} PCIeG2-SRIS	PCIe Refclk Jitter Clock Generator Mode (SRIS Architecture, SSC = -0.5%)	PCIe Gen 2 (5 GT/s)	1328	1366	N/A [g]	fs RMS
t _{jph} PCIeG3-SRIS		PCIe Gen 3 (8 GT/s)	309	323		
t _{jph} PCIeG4-SRIS		PCIe Gen 4 (16 GT/s)	133	142		
t _{jph} PCIeG5-SRIS	PCIe Refclk Jitter Clock Generator Mode (SRIS Architecture, SSC = -0.3%)	PCIe Gen 5 (32 GT/s)	99	115		
t _{jph} PCIeG6-SRIS		PCIe Gen 6 (64 GT/s)	106	132		
t _{jph} PCIeG2-SRNS	PCIe Refclk Jitter in Clock Generator Mode (SRNS Architecture, SSC = 0%)	PCIe Gen 2 (5 GT/s)	125	215	N/A [g]	fs RMS
t _{jph} PCIeG3-SRNS		PCIe Gen 3 (8 GT/s)	55	81		
t _{jph} PCIeG4-SRNS		PCIe Gen 4 (16 GT/s)	55	81		
t _{jph} PCIeG5-SRNS		PCIe Gen 5 (32 GT/s)	21	33		
t _{jph} PCIeG6-SRNS		PCIe Gen 6 (64 GT/s)	13	19		
t _{jph} PCIeG1-CC	Additive PCIe Refclk Jitter in Fan-out Buffer Mode (CC Architecture, SSC = 0%, -0.3%, -0.5%)	PCIe Gen 1 (2.5 GT/s)	2032	5139	N/A [g][h]	fs pk-pk
t _{jph} PCIeG2-CC		PCIe Gen 2 Hi Band (5 GT/s)	122	277		fs RMS
t _{jph} PCIeG3-CC		PCIe Gen 2 Lo Band (5 GT/s)	34	65		
t _{jph} PCIeG4-CC		PCIe Gen 3 (8 GT/s)	57	137		
t _{jph} PCIeG5-CC		PCIe Gen 4 (16 GT/s) [c][d]	55	137		
t _{jph} PCIeG6-CC		PCIe Gen 5 (32 GT/s) [c][e]	23	56		
t _{jph} PCIeG6-CC		PCIe Gen 6 (64 GT/s) [c][f]	14	33		
t _{jph} PCIeG2-SRIS	Additive PCIe Refclk Jitter in Fan-out Buffer Mode (SRIS Architecture, SSC = -0.5%)	PCIe Gen 2 (5 GT/s)	152	310	N/A [g][h]	fs RMS
t _{jph} PCIeG3-SRIS		PCIe Gen 3 (8 GT/s)	40	84		
t _{jph} PCIeG4-SRIS		PCIe Gen 4 (16 GT/s)	41	86		
t _{jph} PCIeG5-SRIS	Additive PCIe Refclk Jitter in Fan-out Buffer Mode (SRIS Architecture, SSC = -0.3%)	PCIe Gen 5 (32 GT/s)	36	94		
t _{jph} PCIeG6-SRIS		PCIe Gen 6 (64 GT/s)	46	108		

Table 8. PCIe Refclk Jitter for VDDO = 2.5V [a][b] (Cont.)

Symbol	Parameter	Conditions	Typical	Maximum	PCIe Limit	Unit
t _{jphPCIeG2-SRNS}	Additive PCIe Refclk Jitter in Fan-out Buffer Mode (SRNS Architecture, SSC = 0%)	PCIe Gen 2 (5 GT/s)	164	348	N/A [g][h]	fs RMS
t _{jphPCIeG3-SRNS}		PCIe Gen 3 (8 GT/s)	43	94		
t _{jphPCIeG4-SRNS}		PCIe Gen 4 (16 GT/s)	45	97		
t _{jphPCIeG5-SRNS}		PCIe Gen 5 (32 GT/s)	39	102		
t _{jphPCIeG6-SRNS}		PCIe Gen 6 (64 GT/s)	49	116		

- a. The Refclk jitter is measured after applying the filter functions found in *PCI Express Base Specification 6.0, Revision 0.9*. See the Test Loads section of the data sheet for the exact measurement setup. The worst case results for each data rate are summarized in this table. Equipment noise is removed from all measurements.
- b. Jitter measurements shall be made with a capture of at least 100,000 clock cycles captured by a real-time oscilloscope (RTO) with a sample rate of 20 GS/s or greater. Broadband oscilloscope noise must be minimized in the measurement. The measured PP jitter is used (no extrapolation) for RTO measurements. Alternately - Jitter measurements may be used with a Phase Noise Analyzer (PNA) extending (flat) and integrating and folding the frequency content up to an offset from the carrier frequency of at least 200 MHz (at 300 MHz absolute frequency) below the Nyquist frequency. For PNA measurements for the 2.5 GT/s data rate, the RMS jitter is converted to peak-to-peak jitter using a multiplication factor of 8.83.
- c. SSC spurs from the fundamental and harmonics are removed up to a cutoff frequency of 2 MHz taking care to minimize removal of any non-SSC content.
- d. Note that 0.7 ps RMS is to be used in channel simulations to account for additional noise in a real system.
- e. Note that 0.25 ps RMS is to be used in channel simulations to account for additional noise in a real system.
- f. Note that 0.15 ps RMS is to be used in channel simulations to account for additional noise in a real system.
- g. The *PCI Express Base Specification 6.0, Revision 0.9* provides the filters necessary to calculate SRIS and SRNS jitter values; it does not provide specification limits, hence the N/A in the Limit column. SRIS and SRNS values are informative only. A common practice is to split the common clock budget in half. For 16GT/s data rates and above, the user must choose whether to use the output jitter specification, or the input jitter specification, which includes an allocation for the jitter added by the channel. Using 32GT/s, the Refclk jitter budget is 150fs RMS. One half of the Refclk jitter budget is 106fs RMS. At the clock input, the system must deliver 250fs RMS. One half of this value is 177fs RMS. If the clock is placed next to the PCIe device in an SRIS system, the channel is very short and the user may choose to use this more relaxed value as the jitter limit.
- h. The RMS sum of the source jitter and the additive jitter must be less than the jitter specification listed for the clock generator operating mode.

Table 9. PCIe Refclk Jitter for VDDO = 3.3V [a][b]

Symbol	Parameter	Conditions	Typical	Maximum	PCIe Limit	Unit
t _{jphPCIeG1-CC}	PCIe Refclk Jitter in Clock Generator Mode (Common Clocked Architecture, SSC = 0%, -0.3%, -0.5%)	PCIe Gen 1 (2.5 GT/s)	4042	5554	86,000	fs pk-pk
t _{jphPCIeG2-CC}		PCIe Gen 2 Hi Band (5 GT/s)	241	332	3000	fs RMS
		PCIe Gen 2 Lo Band (5 GT/s)	65	146	3100	
t _{jphPCIeG3-CC}		PCIe Gen 3 (8 GT/s)	118	164	1000	
t _{jphPCIeG4-CC}		PCIe Gen 4 (16 GT/s) [c][d]	118	164	500	
t _{jphPCIeG5-CC}		PCIe Gen 5 (32 GT/s) [c][e]	46	65	150	
t _{jphPCIeG6-CC}		PCIe Gen 6 (64 GT/s) [c][f]		27	37	

Table 9. PCIe Refclk Jitter for VDDO = 3.3V [a][b] (Cont.)

Symbol	Parameter	Conditions	Typical	Maximum	PCIe Limit	Unit
t _{jph} PCIeG2-SRIS	PCIe Refclk Jitter Clock Generator Mode (SRIS Architecture, SSC = -0.5%)	PCIe Gen 2 (5 GT/s)	1329	1392	N/A [g]	fs RMS
t _{jph} PCIeG3-SRIS		PCIe Gen 3 (8 GT/s)	309	328		
t _{jph} PCIeG4-SRIS		PCIe Gen 4 (16 GT/s)	133	145		
t _{jph} PCIeG5-SRIS	PCIe Refclk Jitter Clock Generator Mode (SRIS Architecture, SSC = -0.3%)	PCIe Gen 5 (32 GT/s)	99	114		
t _{jph} PCIeG6-SRIS		PCIe Gen 6 (64 GT/s)	106	132		
t _{jph} PCIeG2-SRNS	PCIe Refclk Jitter in Clock Generator Mode (SRNS Architecture, SSC = 0%)	PCIe Gen 2 (5 GT/s)	125	208	N/A [g]	fs RMS
t _{jph} PCIeG3-SRNS		PCIe Gen 3 (8 GT/s)	56	81		
t _{jph} PCIeG4-SRNS		PCIe Gen 4 (16 GT/s)	56	81		
t _{jph} PCIeG5-SRNS		PCIe Gen 5 (32 GT/s)	22	32		
t _{jph} PCIeG6-SRNS		PCIe Gen 6 (64 GT/s)	13	19		
t _{jph} PCIeG1-CC	Additive PCIe Refclk Jitter in Fan-out Buffer Mode (CC Architecture, SSC = 0%, -0.3%, -0.5%)	PCIe Gen 1 (2.5 GT/s)	2256	4829	N/A [g][h]	fs RMS
t _{jph} PCIeG2-CC		PCIe Gen 2 Hi Band (5 GT/s)	132	241		
		PCIe Gen 2 Lo Band (5 GT/s)	35	51		
t _{jph} PCIeG3-CC		PCIe Gen 3 (8 GT/s)	63	122		
t _{jph} PCIeG4-CC		PCIe Gen 4 (16 GT/s) [c][d]	63	122		
t _{jph} PCIeG5-CC		PCIe Gen 5 (32 GT/s) [c][e]	25	50		
t _{jph} PCIeG6-CC		PCIe Gen 6 (64 GT/s) [c][f]	15	29		
t _{jph} PCIeG2-SRIS	Additive PCIe Refclk Jitter in Fan-out Buffer Mode (SRIS Architecture, SSC = -0.5%)	PCIe Gen 2 (5 GT/s)	139	301	N/A [g][h]	fs RMS
t _{jph} PCIeG3-SRIS		PCIe Gen 3 (8 GT/s)	36	80		
t _{jph} PCIeG4-SRIS		PCIe Gen 4 (16 GT/s)	38	83		
t _{jph} PCIeG5-SRIS	Additive PCIe Refclk Jitter in Fan-out Buffer Mode (SRIS Architecture, SSC = -0.3%)	PCIe Gen 5 (32 GT/s)	31	81		
t _{jph} PCIeG6-SRIS		PCIe Gen 6 (64 GT/s)	40	97		
t _{jph} PCIeG2-SRNS	Additive PCIe Refclk Jitter in Fan-out Buffer Mode (SRNS Architecture, SSC = 0%)	PCIe Gen 2 (5 GT/s)	148	286	N/A [g][h]	fs RMS
t _{jph} PCIeG3-SRNS		PCIe Gen 3 (8 GT/s)	39	77		
t _{jph} PCIeG4-SRNS		PCIe Gen 4 (16 GT/s)	40	79		
t _{jph} PCIeG5-SRNS		PCIe Gen 5 (32 GT/s)	34	83		
t _{jph} PCIeG6-SRNS		PCIe Gen 6 (64 GT/s)	44	95		

- a. The Refclk jitter is measured after applying the filter functions found in *PCI Express Base Specification 6.0, Revision 0.9*. See the "Test Loads" section of the datasheet for the exact measurement setup. The worst case results for each data rate are summarized in this table. Equipment noise is removed from all measurements.
- b. Jitter measurements shall be made with a capture of at least 100,000 clock cycles captured by a real-time oscilloscope (RTO) with a sample rate of 20GS/s or greater. Broadband oscilloscope noise must be minimized in the measurement. The measured PP jitter is used (no extrapolation) for RTO measurements. Alternately, jitter measurements can be used with a Phase Noise Analyzer (PNA) extending (flat) and integrating and folding the frequency content up to an offset from the carrier frequency of at least 200MHz (at 300MHz absolute frequency) below the Nyquist frequency. For PNA measurements for the 2.5GT/s data rate, the RMS jitter is converted to peak-to-peak jitter using a multiplication factor of 8.83.

- c. SSC spurs from the fundamental and harmonics are removed up to a cutoff frequency of 2MHz taking care to minimize removal of any non-SSC content.
- d. Note that 0.7ps RMS is to be used in channel simulations to account for additional noise in a real system.
- e. Note that 0.25ps RMS is to be used in channel simulations to account for additional noise in a real system.
- f. Note that 0.15ps RMS is to be used in channel simulations to account for additional noise in a real system.
- g. The *PCI Express Base Specification 6.0, Revision 0.9* provides the filters necessary to calculate SRIS and SRNS jitter values; it does not provide specification limits, hence the N/A in the Limit column. SRIS and SRNS values are informative only. A common practice is to split the common clock budget in half. For 16GT/s data rates and above, the user must choose whether to use the output jitter specification, or the input jitter specification, which includes an allocation for the jitter added by the channel. Using 32GT/s, the Refclk jitter budget is 150fs RMS. One half of the Refclk jitter budget is 106fs RMS. At the clock input, the system must deliver 250fs RMS. One half of this value is 177fs RMS. If the clock is placed next to the PCIe device in an SRIS system, the channel is very short and the user may choose to use this more relaxed value as the jitter limit.
- h. The RMS sum of the source jitter and the additive jitter must be less than the jitter specification listed for the clock generator operating mode.

Table 10. Phase Jitter and Phase Noise – 1.8V VDDO [a][b]

Symbol	Parameter	Conditions	Typical	Maximum	Unit
tjit(Φ)	Random Phase Jitter, 10kHz to 20MHz (78.125MHz XTAL, Synthesizer Mode) [b]	122.88MHz (VCO: 9.8304GHz, FOD 0, 1 or 2)	166	212	fs (RMS)
		156.25MHz (VCO: 10GHz, FOD 0, 1 or 2)	160	265	
		245.76MHz (VCO: 9.8304GHz, FOD 0, 1 or 2)	190	261	
		312.5MHz (VCO: 10GHz, FOD 0, 1 or 2)	137	227	
		322.265625MHz (VCO: 10.3125GHz, FOD 0, 1 or 2)	138	173	
		644.53125MHz (VCO: 10.3125GHz, FOD 0, 1 or 2)	125	155	

- a. Electrical parameters are guaranteed over the specified ambient operating temperature range, which is established when the device is mounted in a test socket with maintained transverse airflow greater than 500lfpm. The device will meet specifications after thermal equilibrium has been reached under these conditions.
- b. Characterized using a Rohde and Schwarz SMA100 overdriving the XTAL interface.

Table 11. Phase Jitter and Phase Noise – 2.5V VDDO [a][b]

Symbol	Parameter	Conditions	Typical	Maximum	Unit
tjit(Φ)	Random Phase Jitter, 10kHz to 20MHz (78.125MHz XTAL, Synthesizer Mode) [b]	122.88MHz (VCO: 9.8304GHz, FOD 0, 1 or 2)	178	227	fs (RMS)
		156.25MHz (VCO: 10GHz, FOD 0, 1 or 2)	169	247	
		245.76MHz (VCO: 9.8304GHz, FOD 0, 1 or 2)	209	228	
		312.5MHz (VCO: 10GHz, FOD 0, 1 or 2)	149	166	
		322.265625MHz (VCO: 10.3125GHz, FOD 0, 1 or 2)	156	278	
		644.53125MHz (VCO: 10.3125GHz, FOD 0, 1 or 2)	155	250	

- a. Electrical parameters are guaranteed over the specified ambient operating temperature range, which is established when the device is mounted in a test socket with maintained transverse airflow greater than 500lfpm. The device will meet specifications after thermal equilibrium has been reached under these conditions.
- b. Characterized using a Rohde and Schwarz SMA100 overdriving the XTAL interface.

Table 12. Phase Jitter and Phase Noise – 3.3V VDDO [a][b]

Symbol	Parameter	Conditions	Typical	Maximum	Unit
t _{jitter} (Φ)	Random Phase Jitter, 10kHz to 20MHz (78.125MHz XTAL, Synthesizer Mode) [b]	122.88MHz (VCO: 9.8304GHz, FOD 0, 1 or 2)	168	218	fs (RMS)
		156.25MHz (VCO: 10GHz, FOD 0, 1 or 2)	164	226	
		245.76MHz (VCO: 9.8304GHz, FOD 0, 1 or 2)	206	234	
		312.5MHz (VCO: 10GHz, FOD 0, 1 or 2)	145	192	
		322.265625MHz (VCO: 10.3125GHz, FOD 0, 1 or 2)	154	188	
		644.53125MHz (VCO: 10.3125GHz, FOD 0, 1 or 2)	141	162	

- a. Electrical parameters are guaranteed over the specified ambient operating temperature range, which is established when the device is mounted in a test socket with maintained transverse airflow greater than 500lpm. The device will meet specifications after thermal equilibrium has been reached under these conditions.
- b. Characterized using a Rohde and Schwarz SMA100 overdriving the XTAL interface.

Table 13. Clock Input Frequencies [a]

Symbol	Parameter	Conditions	Minimum	Typical	Maximum	Unit
f _{INAPLL}	APLL Input Frequency for clock generation.	Over-driving Crystal Input, Doubler Logic Disabled	1	-	650	MHz
		Over-driving Crystal Input, Doubler Logic Enabled	1	-	250	
		CLKIN[1:0] Differential Mode	1	-	650	
		CLKIN[1:0] Single-ended Mode	1	-	250	

- a. For crystal characteristics, see Table 14.

Table 14. External Crystal Characteristics

Symbol	Parameter	Conditions	Minimum	Typical	Maximum	Unit
-	Resonance Mode	-	Fundamental			-
f _{INXTAL} [a]	Crystal input frequency	Fundamental mode	8	-	80	MHz
ESR [a]	Equivalent Series Resistance	8MHz ≤ f _{INXTAL} ≤ 12MHz, C _L = 12pF	-	-	120	Ω
		12MHz < f _{INXTAL} ≤ 28MHz, C _L = 12pF	-	-	80	
		28MHz < f _{INXTAL} ≤ 54MHz, C _L = 12pF	-	-	50	
		54MHz < f _{INXTAL} ≤ 80MHz, C _L = 8pF	-	-	50	
C _O [a]	Shunt Capacitance	-	-	7	-	pF
C _L [a]	Load Capacitance	-	6	8	12	
Drive [a]	Drive Level	-	-	-	100	μW
F _{TOL}	Frequency Tolerance	Center frequency at 25°C	-	-	[b]	ppm
F _{STAB}	Frequency Stability	Over Operating Temperature Range with respect to F _{TOL}	-	-		
Aging	Per Year	-	-	-		

- a. These parameters are required, regardless of crystal used.
- b. These parameters are customer/application dependent. Common maximum values are F_{TOL} = ±20ppm, F_{STAB} = ±20ppm, and Aging = ±5ppm/10years. The customer is free to adjust these parameters to their particular requirements.

Table 15. Internal Crystal Characteristics (Q Versions Only)

Symbol	Parameter	Conditions	Minimum	Typical	Maximum	Unit
-	Resonance Mode	-	Fundamental			-
f_{INTAL}	Crystal frequency	Fundamental mode	-	78.125	-	MHz
F_{STAB}	Frequency Stability	Includes both initial accuracy and variation over temperature.	-	-	± 30	ppm
-	Aging	Over the first ten years	-	-	± 5	

Table 16. Output Frequencies and Startup Times [a]

Symbol	Parameter	Conditions	Minimum	Typical	Maximum	Unit
f_{OUT}	Output Frequency	Differential Output.	0.001	-	650	MHz
		LVC MOS Output.	0.001	-	200	
f_{MON}	Reference Monitor Operating Frequency	-	-	-	40	MHz
f_{VCO}	VCO (APLL) Operating Frequency	-	9.5	-	10.7	GHz
t_{STARTUP}	Start-up Time [b][c]	Synthesizer mode	-	6	10	ms

- a. Electrical parameters are guaranteed over the specified ambient operating temperature range, which is established when the device is mounted in a test socket with maintained transverse airflow greater than 500lfpm. The device will meet specifications after thermal equilibrium has been reached under these conditions.
- b. Measured from when all power supplies have reached > 90% of nominal voltage to the first stable clock edge on the output. A stable clock is defined as one generated from a locked PLL (as appropriate for the configuration listed) with no further perturbations in frequency expected. Includes time needed to load a configuration from internal OTP. For important additional power supply sequencing considerations, see [Power Considerations](#).
- c. Start-up time will depend on the actual configuration used. For more information, please contact Renesas technical support

Table 17. Output-to-Output, Input-to-Output Skew – LP-HCSL Outputs 1.8V/2.5V/3.3V VDDO [a]

Symbol	Parameter	Conditions	Minimum	Typical	Maximum	Unit
t_{SK}	Output-to-Output Skew [b][c]	FOD1 driving output banks [2:4]	-	18	90	ps
		FOD1 driving all output banks	-	39	124	
		FOD1 driving Bank2	-	21	63	
		IOD1 driving bank 2	-	22	65	
t_{PD}	Input-to-Output Delay [c][d]	Fanout buffer path to any output	1.2	2	2.6	ns
Δt_{PD}	Input-to-Output Delay Variation [c][d]	Fanout buffer, single device, at a fixed voltage, over temperature	-	2	4	ps/°C

- a. Electrical parameters are guaranteed over the specified ambient operating temperature range, which is established when the device is mounted in a test socket with maintained transverse airflow greater than 500lfpm. The device will meet specifications after thermal equilibrium has been reached under these conditions.
- b. Defined as the time between the rising edges of two outputs of the same frequency, configuration, loading, and supply voltage.
- c. This parameter is defined in accordance with JEDEC Standard 65
- d. Defined as the time between to output rising edge and the input rising edge that caused it.

Table 18. Output-to-Output, Input-to-Output Skew – LVDS Outputs 1.8V/2.5V/3.3V VDDO [a]

Symbol	Parameter	Conditions	Minimum	Typical	Maximum	Unit
t_{SK}	Output-to-Output Skew [b][c]	FOD1 driving output banks [2:4]	-	16	93	ps
		FOD1 driving all output banks	-	44	101	
		FOD1 driving Bank2	-	14	53	
		IOD1 driving bank 2	-	20	67	
t_{PD}	Input-to-Output Delay [c][d]	Fanout buffer path to any output	1.3	2	2.8	ns

- a. Electrical parameters are guaranteed over the specified ambient operating temperature range, which is established when the device is mounted in a test socket with maintained transverse airflow greater than 500lfpm. The device will meet specifications after thermal equilibrium has been reached under these conditions.
- b. Defined as the time between the rising edges of two outputs of the same frequency, configuration, loading, and supply voltage.
- c. This parameter is defined in accordance with JEDEC Standard 65
- d. Defined as the time between to output rising edge and the input rising edge that caused it.

Table 19. Output-to-Output, Input-to-Output Skew – LVCMOS Outputs 1.8V/2.5V/3.3V VDDO [a]

Symbol	Parameter	Conditions	Minimum	Typical	Maximum	Unit
t_{SK}	Output-to-Output Skew [b][c]	FOD1 driving output banks [2:4]	-	50	130	ps
		FOD1 driving all output banks	-	76	180	
		FOD1 driving Bank2	-	22	64	
		IOD1 driving bank 2	-	29	79	
t_{PD}	Input-to-Output Delay [c][d]	Fanout buffer path to any output - 1.8V VDDO	2.3	3.2	4.3	ns
		Fanout buffer path to any output - 2.5V VDDO	1.7	2.4	3.4	
		Fanout buffer path to any output - 3.3V VDDO	1.6	2.2	3	

- a. Electrical parameters are guaranteed over the specified ambient operating temperature range, which is established when the device is mounted in a test socket with maintained transverse airflow greater than 500lfpm. The device will meet specifications after thermal equilibrium has been reached under these conditions.
- b. Defined as the time between the rising edges of two outputs of the same frequency, configuration, loading, and supply voltage.
- c. This parameter is defined in accordance with JEDEC Standard 65
- d. Defined as the time between to output rising edge and the input rising edge that caused it.

Table 20. Zero-Delay Buffer Mode Static Phase Offset – 1.8V/2.5V/3.3V VDDO [a]

Symbol	Parameter	Conditions	Minimum	Typical	Maximum	Unit
$t_{\Phi APLL}$	APLL Static Phase Offset [b]	LVC MOS REFIN, LVC MOS APLL feedback at 1 MHz, VDDX, VDDR = VDDO	-	100	TBD	ps
		LVC MOS REFIN, LP-HCSL APLL feedback at 1 MHz, VDDX, VDDR = VDDO	-	100	TBD	
		LVC MOS REFIN, LVDS APLL feedback at 1 MHz, VDDX, VDDR = VDDO	-	100	TBD	

- a. Electrical parameters are guaranteed over the specified ambient operating temperature range, which is established when the device is mounted in a test socket with maintained transverse airflow greater than 500lfpm. The device will meet specifications after thermal equilibrium has been reached under these conditions.
- b. This parameter is defined in accordance with JEDEC Standard 65B, which defines static phase offset as the time interval between similar points on the waveforms of the averaged input reference clock and the averaged feedback input signal when the PLL is locked and the input reference frequency is stable.

Table 21. LVC MOS AC/DC Output Characteristics – 1.8V VDDO [a]

Symbol	Parameter	Conditions	Minimum	Typical	Maximum	Unit
V_{OH}	Output High Voltage [b]	$I_{OH} = -2mA$	1.6	1.75	$V_{DDO} + 0.3$	V
V_{OL}	Output Low Voltage [b]	$I_{OL} = 2mA$	-	0.04	0.4	
I_{OZ}	Output Leakage Current	Outputs Tri-stated	-5	-	5	μA
dV/dt	Slew Rate [c]	$ODRV_CNFG[3:2] = 0$	0.8	1.5	2.2	V/ns
		$ODRV_CNFG[3:2] = 1$	0.7	1.5	2.2	
		$ODRV_CNFG[3:2] = 2$	0.7	1.5	2.4	
		$ODRV_CNFG[3:2] = 3$	0.8	1.5	2.3	
t_{DC}	Output Duty Cycle	$V_T = V_{DDO}/2$	45	51	55	%

- a. See Test Loads for additional information.
- b. These values are compliant with JESD8-7A.
- c. $V_T = 20\%$ to 80% of V_{DDO} , $C_L = 4.7pF$.

Table 22. LVC MOS AC/DC Output Characteristics – 2.5V VDDO [a]

Symbol	Parameter	Conditions	Minimum	Typical	Maximum	Unit
V_{OH}	Output High Voltage [b]	$I_{OH} = -2mA$	2.2	2.4	$V_{DDO} + 0.3$	V
V_{OL}	Output Low Voltage [b]	$I_{OL} = 2mA$	-	0.04	0.4	
I_{OZ}	Output Leakage Current	Outputs Tri-stated	-5	-	5	μA
dV/dt	Slew Rate [c]	$ODRV_CNFG[3:2] = 0$	1.2	2.2	3.6	V/ns
		$ODRV_CNFG[3:2] = 1$	0.6	1.6	3.2	
		$ODRV_CNFG[3:2] = 2$	0.5	1.4	2.6	
		$ODRV_CNFG[3:2] = 3$	0.9	2.0	3.4	
t_{DC}	Output Duty Cycle	$V_T = V_{DDO}/2$	45	51	55	%

- a. See Test Loads for additional information.

- b. These values are compliant with JESD8-5A.01.
- c. $V_T = 20\%$ to 80% of V_{DDO} , $C_L = 4.7\text{pF}$.

Table 23. LVCMOS AC/DC Output Characteristics – 3.3V V_{DDO} ^[a]

Symbol	Parameter	Conditions	Minimum	Typical	Maximum	Unit
V_{OH}	Output High Voltage ^[b]	$I_{OH} = -2\text{mA}$	2.4	3.2	$V_{DDO} + 0.3$	V
V_{OL}	Output Low Voltage ^[b]	$I_{OL} = 2\text{mA}$	-	0.03	0.4	
I_{OZ}	Output Leakage Current	Outputs Tri-stated	-5	-	5	μA
dV/dt	Slew Rate ^[c]	$ODRV_CNFG[3:2] = 0$	1.3	3.1	4.9	V/ns
		$ODRV_CNFG[3:2] = 1$	1.2	2.5	4.0	
		$ODRV_CNFG[3:2] = 2$	1.2	2.4	4.0	
		$ODRV_CNFG[3:2] = 3$	1.4	2.8	4.1	
t_{DC}	Output Duty Cycle	$V_T = V_{DDO}/2$	45	50.7	55	%

- a. See Test Loads for additional information.
- b. These values are compliant with JESD8C.01.
- c. $V_T = 20\%$ to 80% of V_{DDO} , $C_L = 4.7\text{pF}$.

Table 24. LVDS AC/DC Output Characteristics – 1.8V V_{DDO} ^[a]

Symbol	Parameter	Conditions	Minimum	Typical	Maximum	Unit
$V_{OT} (+)$	TRUE binary state.	out_prog = 0x00	243	346	448	mV
$V_{OT} (-)$	FALSE binary state.		-462	-355	-248	
$V_{OT} (+)$	TRUE binary state.	out_prog = 0x01	257	362	468	mV
$V_{OT} (-)$	FALSE binary state.		-482	-372	-262	
$V_{OT} (+)$	TRUE binary state.	out_prog = 0x02	219	310	400	mV
$V_{OT} (-)$	FALSE binary state.		-419	-323	-227	
$V_{OT} (+)$	TRUE binary state.	out_prog = 0x03	232	328	425	mV
$V_{OT} (-)$	FALSE binary state.		-441	-338	-235	
ΔV_{OT}	Change in V_{OT} between Complimentary Output States	-	14	37	60	mV
V_{CMR}	Output Common Mode Voltage	-	1.07	1.21	1.35	V
ΔV_{CMR}	Change in V_{CMR} between Complimentary Output States	-	-	25	37	mV
I_{OS}	Output Short Circuit Current	V_{OUT+} or $V_{OUT-} = 0\text{V}$ or V_{DD}	-	7.5	-	mA
I_{OSD}	Differential Output Short Circuit Current	$V_{OUT+} = V_{OUT-}$	-	3.3	-	

Table 24. LVDS AC/DC Output Characteristics – 1.8V V_{DDO} [a] (Cont.)

Symbol	Parameter	Conditions	Minimum	Typical	Maximum	Unit
t_R/t_F	Rise/Fall Time [b] $V_T = 20\%$ to 80% of swing.	-	138	252	365	ps
t_{DC}	Output Duty Cycle	$V_T = 0V$ differential	43.9	49.7	54.3	%

a. See Test Loads for additional test conditions.

b. Single-ended measurement

Table 25. LVDS AC/DC Output Characteristics – 2.5V/3.3V V_{DDO} [a]

Symbol	Parameter	Conditions	Minimum	Typical	Maximum	Unit
$V_{OT (+)}$	TRUE binary state.	out_prog = 0x00	240	348	457	mV
$V_{OT (-)}$	FALSE binary state.		-464	-356	-247	
$V_{OT (+)}$	TRUE binary state.	out_prog = 0x01	255	366	477	mV
$V_{OT (-)}$	FALSE binary state.		-483	-372	-261	
$V_{OT (+)}$	TRUE binary state.	out_prog = 0x02	211	311	411	mV
$V_{OT (-)}$	FALSE binary state.		-427	-325	-224	
$V_{OT (+)}$	TRUE binary state.	out_prog = 0x03	225	330	434	mV
$V_{OT (-)}$	FALSE binary state.		-446	-341	-235	
ΔV_{OT}	Change in V_{OT} between Complimentary Output States	-	14	37	60	mV
V_{CMR}	Output Common Mode Voltage	-	1.16	1.21	1.32	V
ΔV_{CMR}	Change in V_{CMR} between Complimentary Output States	-	-	25	37	mV
I_{OS}	Output Short Circuit Current	V_{OUT+} or $V_{OUT-} = 0V$ or VDD	-	7.5	-	mA
I_{OSD}	Differential Output Short Circuit Current	$V_{OUT+} = V_{OUT-}$	-	3.3	-	
t_R/t_F	Rise/Fall Time [b] $V_T = 20\%$ to 80% of swing.	-	138	252	365	ps
t_{DC}	Output Duty Cycle	$V_T = 0V$ differential	43.9	49.7	54.3	%

a. See Test Loads for additional test conditions.

b. Single-ended measurement

Table 26. LP-HCSL AC/DC Characteristics, Non-PCIe Frequencies – 1.8V V_{DDO} [a]

Symbol	Parameter	Conditions	Minimum	Typical	Maximum	Unit	
V _{OH}	Output High Voltage [b] f < 400MHz	V _{HIGH} = 800mV, Fast Slew Rate, 25MHz, 100MHz, 156.25MHz, 312.5MHz or 625MHz.	680	849	1018	mV	
	Output High Voltage [b] f ≥ 400MHz		522	657	792		
V _{OL}	Output Low Voltage [b]		-130	-4	123		
V _{CROSS}	Crossing Voltage (abs) [c]		166	423	680		
ΔV _{CROSS}	Crossing Voltage (var) [c][d][e]		-	30	43		
t _R /t _F	Rise/Fall Time [b] V _T = 20% to 80% of swing, f < 400MHz		232	392	552	ps	
	Rise/Fall Time [b] V _T = 20% to 80% of swing, f ≥ 400MHz		160	300	439		
V _{OH}	Output High Voltage [b] f < 400MHz		V _{HIGH} = 900mV, Fast Slew Rate, 25MHz, 100MHz, 156.25MHz, 312.5MHz or 625MHz.	718	924	1130	mV
	Output High Voltage [b] f ≥ 400MHz			551	703	855	
V _{OL}	Output Low Voltage [b]			-164	-2	160	
V _{CROSS}	Crossing Voltage (abs) [c]	170		446	722		
ΔV _{CROSS}	Crossing Voltage (var) [c][d][e]	-		27	41		
t _R /t _F	Rise/Fall Time [b] V _T = 20% to 80% of swing, f < 400MHz	217		402	588	ps	
	Rise/Fall Time [b] V _T = 20% to 80% of swing, f ≥ 400MHz	169		298	428		
t _{DC}	Output Duty Cycle [f]	Across all settings, f < 400MHz V _T = 0V.		47	50	53	%
		Across all settings, f ≥ 400MHz V _T = 0V.		45	50	55	

- a. Standard high impedance load with C_L = 2pF. See Test Loads
- b. Measured from single-ended waveform.
- c. Measured at crossing point where the instantaneous voltage value of the rising edge of CLK equals the falling edge of CLKb.
- d. Refers to the total variation from the lowest crossing point to the highest, regardless of which edge is crossing. Refers to all crossing points for this measurement.
- e. Defined as the total variation of all crossing voltages of Rising CLK and Falling CLKb. This is the maximum variance in V_{CROSS} for any particular system.
- f. Measured from differential waveform.

Table 27. LP-HCSL AC/DC Characteristics, Non-PCIe Frequencies – 2.5V/3.3V V_{DDO} [a]

Symbol	Parameter	Conditions	Minimum	Typical	Maximum	Unit	
V _{OH}	Output High Voltage [b] f < 400MHz.	V _{HIGH} = 800mV, Fast Slew Rate, 25MHz, 100MHz, 156.25MHz, 312.5MHz or 625MHz.	667	861	1055	mV	
	Output High Voltage [b] f ≥ 400MHz.		552	717	881	mV	
V _{OL}	Output Low Voltage [b]		-164	-4	156	mV	
V _{CROSS}	Crossing Voltage (abs) [c]		261	384	507	mV	
ΔV _{CROSS}	Crossing Voltage (var) [c][d][e]		-	27	42	mV	
t _R /t _F	Rise/Fall Time [b] V _T = 20% to 80% of swing, f < 400MHz.		214	393	606	ps	
	Rise/Fall Time [b] V _T = 20% to 80% of swing f ≥ 400MHz		148	302	456		
V _{OH}	Output High Voltage [b] f < 400MHz.		V _{HIGH} = 900mV, Fast Slew Rate, 25MHz, 100MHz, 156.25MHz, 312.5MHz or 625MHz.	694	917	1140	mV
	Output High Voltage [b] f ≥ 400MHz.			598	757	917	mV
V _{OL}	Output Low Voltage [b]			-164	-8	148	mV
V _{CROSS}	Crossing Voltage (abs) [c]	238		455	673	mV	
ΔV _{CROSS}	Crossing Voltage (var) [c][d][e]	-		27	42	mV	
t _R /t _F	Rise/Fall Time [b] V _T = 20% to 80% of swing, f < 400MHz.	218		397	581	ps	
	Rise/Fall Time [b] V _T = 20% to 80% of swing f ≥ 400MHz	174		300	426		
t _{DC}	Output Duty Cycle [f]	Across all settings, f < 400MHz V _T = 0V.		48	50	52	%
		Across all settings, f ≥ 400MHz V _T = 0V.		45	50	55	

- a. Standard high impedance load with C_L = 2pF. See Test Loads.
- b. Measured from single-ended waveform.
- c. Measured at crossing point where the instantaneous voltage value of the rising edge of CLK equals the falling edge of CLKb.
- d. Refers to the total variation from the lowest crossing point to the highest, regardless of which edge is crossing. Refers to all crossing points for this measurement.
- e. Defined as the total variation of all crossing voltages of Rising CLK and Falling CLKb. This is the maximum allowed variance in V_{CROSS} for any particular system.
- f. Measured from differential waveform.

Table 28. LP-HCSL AC/DC Characteristics, 100MHz PCIe – 1.8V V_{DDO} [a]

Symbol	Parameter	Conditions	Minimum	Typical	Maximum	Spec. Limit [b]	Unit
V _{MAX}	Absolute Max Voltage Includes 300mV of overshoot (V _{ovs}) [c][d]	V _{HIGH} set to 900mV.	-	-	1103	1150	mV
V _{MIN}	Absolute Min Voltage Includes -300mV of undershoot (V _{uds}) [c][e]		-152	-	-	-300	
V _{HIGH}	Voltage High [c]	V _{HIGH} set to 800mV.	825	886	984	-	mV
V _{LOW}	Voltage Low [c]		-70	-15	44	-	
V _{CROSS}	Crossing Voltage (abs) [c][f][g]	V _{HIGH} set to 800mV, scope averaging off.	266	406	545	250 to 550	
ΔV _{CROSS}	Crossing Voltage (var) [c][f][h]		-	27	49	140	
dv/dt	Slew rate [f][i]	V _{HIGH} set to 800mV, Fast slew rate, scope averaging on.	1.6	2.6	3.6	1 to 4	V/ns
		V _{HIGH} set to 800mV, Slow slew rate, scope averaging on.	1.2	1.8	2.4		
ΔT _{R/F}	Rise/fall matching [c][k]	V _{HIGH} set to 800mV. Fast or slow slew rate.	-	7	19.3	20	%
V _{HIGH}	Voltage High [c]	V _{HIGH} set to 900mV.	844	940	1037	-	mV
V _{LOW}	Voltage Low [c]		-79	-14	51	-	
V _{CROSS}	Crossing Voltage (abs) [c][f][g]	V _{HIGH} set to 900mV, scope averaging off.	301	451	600	300 to 600	
ΔV _{CROSS}	Crossing Voltage (var) [c][f][h]		-	28	44	140	
dv/dt	Slew rate [f][i]	V _{HIGH} set to 900mV, Fast slew rate, scope averaging on.	1.7	2.7	3.7	1 to 4	V/ns
		V _{HIGH} set to 900mV, Slow slew rate, scope averaging on.	1.3	1.9	2.5		
ΔT _{R/F}	Rise/fall matching [c][k]	V _{HIGH} set to 900mV. Fast or slow slew rate.	-	4	18.5	20	%
t _{DC}	Output Duty Cycle [i]	V _T = 0V differential.	49	50	51	45 to 55	
t _{jyc-cyc}	Jitter, Cycle to cycle [i]	Across all settings in this table at 100MHz.	-	33	49.3	50	ps

- a. Standard high impedance load with C_L = 2pF. See Test Loads.
- b. The specification limits are taken from either the *PCIe Base Specification Revision 6.0* or from relevant x86 processor specifications, whichever is more stringent.
- c. Measured from single-ended waveform.
- d. Defined as the maximum instantaneous voltage including overshoot.
- e. Defined as the minimum instantaneous voltage including undershoot.
- f. Measured at crossing point where the instantaneous voltage value of the rising edge of REFCLK+ equals the falling edge of REFCLK-.
- g. Refers to the total variation from the lowest crossing point to the highest, regardless of which edge is crossing. Refers to all crossing points for this measurement.
- h. Defined as the total variation of all crossing voltages of Rising REFCLK+ and Falling REFCLK-. This is the maximum allowed variance in V_{CROSS} for any particular system.

- i. Measured from differential waveform.
- j. Measured from -150 mV to +150 mV on the differential waveform (derived from REFCLK+ minus REFCLK-). The signal must be monotonic through the measurement region for rise and fall time. The 300 mV measurement window is centered on the differential zero crossing.
- k. Matching applies to rising edge rate for REFCLK+ and falling edge rate for REFCLK-. It is measured using a ±75 mV window centered on the median cross point where REFCLK+ rising meets REFCLK- falling. The median cross point is used to calculate the voltage thresholds the oscilloscope is to use for the edge rate calculations. The Rise Edge Rate of REFCLK+ should be compared to the Fall Edge Rate of REFCLK-; the maximum allowed difference should not exceed 20% of the slowest edge rate.

Table 29. LP-HCSL AC/DC Characteristics, 100MHz PCIe – 2.5V/3.3V V_{DDO} [a]

Symbol	Parameter	Conditions	Minimum	Typical	Maximum	Spec. Limit [b]	Unit
V _{MAX}	Absolute Max Voltage Includes 300mV of overshoot (V _{ovs}) [c][d]	V _{HIGH} set to 900mV.	-	-	1088	1150	mV
V _{MIN}	Absolute Min Voltage Includes -300mV of undershoot (V _{uds}) [c][e]		-174	-	-	-300	
V _{HIGH}	Voltage High [c]	V _{HIGH} set to 800mV.	743	869	994	-	mV
V _{LOW}	Voltage Low [c]		-92	-7	58	-	
V _{CROSS}	Crossing Voltage (abs) [c][f][g]	V _{HIGH} set to 800mV, scope averaging off.	256	406	533	250 to 550	
ΔV _{CROSS}	Crossing Voltage (var) [c][f][h]		-	27	40	140	
dv/dt	Slew rate [i][j]	V _{HIGH} set to 800mV, Fast slew rate, scope averaging on.	1.3	2.6	3.9	1 to 4	V/ns
		V _{HIGH} set to 800mV, Slow slew rate, scope averaging on.	1	1.7	3.1		
ΔT _{R/F}	Rise/fall matching [c][k]	V _{HIGH} set to 800mV. Fast or slow slew rate.	-	8	19.7	20	%
V _{HIGH}	Voltage High [c]	V _{HIGH} set to 900mV.	800	925	1051	-	mV
V _{LOW}	Voltage Low [c]		-95	-2	68	-	
V _{CROSS}	Crossing Voltage (abs) [c][f][g]	V _{HIGH} set to 900mV, scope averaging off.	286	454	629	250 to 600	
ΔV _{CROSS}	Crossing Voltage (var) [c][f][h]		-	27	40	140	
dv/dt	Slew rate [i][j]	V _{HIGH} set to 900mV, Fast slew rate, scope averaging on.	1.4	2.8	4.2	1 to 4.2	V/ns
		V _{HIGH} set to 900mV, Slow slew rate, scope averaging on.	1.2	2.0	3		
ΔT _{R/F}	Rise/fall matching [c][k]	V _{HIGH} set to 900mV. Fast or slow slew rate.	-	6	18.7	20	%
t _{DC}	Output Duty Cycle [l]	V _T = 0V differential.	49	50	51	45 to 55	
t _{jyc-cyc}	Jitter, Cycle to cycle [l]	Across all settings in this table at 100MHz.	-	30	48.3	50	ps

- a. Standard high impedance load with C_L = 2pF. See Test Loads.
- b. The specification limits are taken from either the *PCIe Base Specification Revision 6.0* or from relevant x86 processor specifications, whichever is more stringent.
- c. Measured from single-ended waveform.

- d. Defined as the maximum instantaneous voltage including overshoot.
- e. Defined as the minimum instantaneous voltage including undershoot.
- f. Measured at crossing point where the instantaneous voltage value of the rising edge of REFCLK+ equals the falling edge of REFCLK-.
- g. Refers to the total variation from the lowest crossing point to the highest, regardless of which edge is crossing. Refers to all crossing points for this measurement.
- h. Defined as the total variation of all crossing voltages of Rising REFCLK+ and Falling REFCLK-. This is the maximum allowed variance in V_{CROSS} for any particular system.
- i. Measured from differential waveform.
- j. Measured from -150 mV to +150 mV on the differential waveform (derived from REFCLK+ minus REFCLK-). The signal must be monotonic through the measurement region for rise and fall time. The 300 mV measurement window is centered on the differential zero crossing.
- k. Matching applies to rising edge rate for REFCLK+ and falling edge rate for REFCLK-. It is measured using a ± 75 mV window centered on the median cross point where REFCLK+ rising meets REFCLK- falling. The median cross point is used to calculate the voltage thresholds the oscilloscope is to use for the edge rate calculations. The Rise Edge Rate of REFCLK+ should be compared to the Fall Edge Rate of REFCLK-; the maximum allowed difference should not exceed 20% of the slowest edge rate.

Table 30. 100MHz PCIe Output Clock Accuracy and SSC

Symbol	Parameter	Conditions	Minimum	Typical	Maximum	PCIe Limit ^[a]	Unit
$T_{PERIOD_AVG_32G_64G_CC}$	Average Clock Period Accuracy for devices supporting 32GT/s or 64GT/s CC mode at any speed. ^{[b][c]}	SSC \leq -0.5%, includes spread-spectrum modulation, if any.	0	-	2410	-100 to +2600	ppm
$T_{PERIOD_AVG_32G_64G_SRIS}$	Average Clock Period Accuracy for devices supporting 32GT/s SRIS mode at any speed. ^{[b][c]}	SSC \leq -0.3%, includes spread-spectrum modulation, if any.	0	-	1430	-100 to +1600	
$T_{PERIOD_AVG_32G_64G}$	Average Clock Period Accuracy for devices supporting 32GT/s CC/SRNS mode at any speed. ^{[b][c]}	SSC = 0% (SSC Off).	0	-	0	± 100	
$T_{PERIOD_ABS_32G_64G_CC}$	Average Clock Period Accuracy for devices supporting 32GT/s CC mode at any speed. ^{[b][d]}	SSC \leq -0.5%, includes jitter and spread-spectrum modulation.	10	-	10.024	9.849 to 10.201	ns
$T_{PERIOD_ABS_32G_64G_SRIS}$	Average Clock Period Accuracy for devices supporting 32GT/s SRIS mode at any speed. ^{[b][d]}	SSC \leq -0.3%, includes jitter and spread-spectrum modulation.	10	-	10.014	9.849 to 10.181	
$T_{PERIOD_ABS_32G_64G}$	Average Clock Period Accuracy for devices supporting 32GT/s CC/SRNS mode at any speed. ^{[b][d]}	SSC = 0% (SSC Off), includes jitter.	10	-	10	9.849 to 10.151	
$F_{REFCLK_32G_64G}$	Refclk Frequency for devices that support 32GT/s or 64GT/s.	SSC = 0% (SSC Off)	100	-	100	99.99 to 100.01	MHz
F_{SSC}	SSC Modulation Frequency	-	31.2	31.5	31.9	30 to 33	kHz
$T_{SSC_FREQ_DEV}$	SSC Deviation for all devices and architectures except 32GT/s or 64GT/s devices operating in SRIS mode.	SSC = -0.5%	-0.490	-0.488	-0.486	-0.5	%

Table 30. 100MHz PCIe Output Clock Accuracy and SSC (Cont.)

Symbol	Parameter	Conditions	Minimum	Typical	Maximum	PCIe Limit ^[a]	Unit
T _{SSC_FREQ_DEV_32G_64G_SRIS}	SSC Deviation for devices that support 32 or 64GT/s operating in SRIS mode, at any speeds.	SSC = -0.3%	-0.300	-0.295	-0.290	-0.3	%
T _{SSC_MAX_FREQ_SLEW}	Max df/dt of the SSC. ^[e]	-	-	310	372	1250	ppm/us
T _{TRANSPORT_DELAY}	Tx-Rx transport delay used for PCIe Jitter calculations. ^[f]	Applies to Common Clocked architectures only.	-	-	12	12	ns

- a. The specification limits are taken from either the *PCIe Base Specification Revision 6.0* or from relevant x86 processor specifications, whichever is more stringent.
- b. Measured from differential waveform.
- c. PPM refers to parts per million and is a DC absolute period accuracy specification. 1 PPM is 1/1,000,000th of 100.000000MHz exactly or 100Hz. For 100PPM, then we have an error budget of 100Hz/PPM * 100PPM = 10kHz. The period is to be measured with a frequency counter with measurement window set to 100 ms or greater. The ±100PPM applies to systems that do not employ Spread-Spectrum Clocking, or that use common clock source. For systems employing Spread-Spectrum Clocking, there is an additional 2,500PPM nominal shift in maximum period resulting from the 0.5% down spread resulting in a maximum average period specification of +2,600PPM for Common Clock Architectures. SRIS Architectures may have a lower allowed spread percentage. Devices meeting these specifications automatically meet the less stringent -300ppm to +2800ppm tolerances for data rates ≤16GT/s. Refer to Section 8.6 of the *PCI Express Base Specification, Revision 6.0*.
- d. Defined as the absolute minimum or maximum instantaneous period. This includes cycle-to-cycle jitter, relative PPM tolerance, and spread-spectrum modulation. Devices meeting these specifications automatically meet the less stringent and 9.847ns to 10.203ns tolerances for data rates ≤16GT/s.
- e. Measurement is made over a 0.5us time interval with a 1st order LPF with an fC of 60x the SSC modulation frequency (1.89MHz for 31.5kHz modulation frequency).
- f. This is the default value used for all PCIe Common Clock architecture jitter calculations. There are form factors (for example topologies including long cables) that may exceed this limit. Contact Renesas for assistance calculating jitter if your topology exceeds 12ns.

Table 31. Spread-Spectrum Programmability

Symbol	Parameter	Conditions	Minimum	Typical	Maximum	Unit
f _{SSCMOD}	SSC Modulation Frequency	Modulation frequency.	30	-	63	kHz
SSC%	Spread percentage ^[a]	Down Spread.	-1	-	-0.5	%
		Center Spread.	±0.025	-	±0.75	
f _{OUTSSC}	Output frequency	Allowable output frequency range when SSC is enabled.	33	-	650	MHz

- a. Spread off is 0%.

Table 32. GPI/GPIO Electrical Characteristics – 1.8V VDDD, VDDR, or VDDX [a][b]

Symbol	Parameter	Conditions	Minimum	Typical	Maximum	Unit
V _{IH}	Input High Voltage [c]	XIN_REFIN, XOUT_REFINb, GPI[3:0], GPIO[4:0].	0.65 VDD	-	VDD + 0.3	V
V _{IL}	Input Low Voltage [c]	XIN_REFIN, XOUT_REFINb, GPI[3:0], GPIO[4:0].	-0.3	-	0.35 VDD	
V _{OH}	Output High Voltage [c]	GPIO[4:0], IOH = -2mA.	VDD - 0.45	-	VDD + 0.3	
V _{OL}	Output Low Voltage [c]	GPIO[4:0], IOL = 2mA.	-	-	0.45	
V _{IH}	Input High Voltage	GPIO[2:0], when set to tri-level.	0.75 VDD	-	VDD + 0.3	
V _{IM}	Input Mid Voltage	GPIO[2:0], when set to tri-level.	0.45 VDD	-	0.55 VDD	
V _{IL}	Input Low Voltage	GPIO[2:0], when set to tri-level.	-0.3	-	0.25 VDD	

- a. Input specifications refer to signals XIN_REFIN, XOUT_REFINb, GPI[3:0], GPIO[4:0], when acting as inputs. Output specifications refer to signals GPIO[4:0], when acting as outputs. To determine which VDD pin is referenced for each group in Table 32, see GPI and GPIO VDD pin assignments in Pin Information. For SCL_SCLK, SDA_SDI, see the I2C/SMBus electrical characteristics Table 37 and Table 38.
- b. CLKIN[1:0]/CLKIN[1:0]b used as two single-ended clocks rather than as a differential clock.
- c. These values are compliant with JESD8-7A. These values only apply to XIN_REFIN and XOUT_REFINb when “Input Buffer” mode is selected. See the Applications section for more details.

Table 33. GPI/GPIO Electrical Characteristics – 2.5V VDDD, VDDR, or VDDX [a][b]

Symbol	Parameter	Conditions	Minimum	Typical	Maximum	Unit
V _{IH}	Input High Voltage [c]	XIN_REFIN, XOUT_REFINb, GPI[3:0], GPIO[4:0].	1.7	-	VDD + 0.3	V
V _{IL}	Input Low Voltage [c]	XIN_REFIN, XOUT_REFINb, GPI[3:0], GPIO[4:0].	-0.3	-	0.7	
V _{OH}	Output High Voltage [c]	GPIO[4:0], IOH = -2mA.	1.7	-	VDD + 0.3	
V _{OL}	Output Low Voltage [c]	GPIO[4:0], IOL = 2mA.	-	-	0.7	
V _{IH}	Input High Voltage	GPIO[2:0], when set to tri-level.	0.75 VDD	-	VDD + 0.3	
V _{IM}	Input Mid Voltage	GPIO[2:0], when set to tri-level.	0.45 VDD	-	0.55 VDD	
V _{IL}	Input Low Voltage	GPIO[2:0], when set to tri-level.	-0.3	-	0.25 VDD	

- a. Input specifications refer to signals XIN_REFIN, XOUT_REFINb, GPI[3:0], GPIO[4:0], when acting as inputs. Output specifications refer to signals GPIO[4:0], when acting as outputs. To determine which VDD pin is referenced for each group in Table 33, see GPI and GPIO VDD pin assignments in Pin Information. For SCL_SCLK, SDA_SDI, see the I2C/SMBus electrical characteristics Table 37 and Table 38.
- b. CLKIN[1:0]/CLKIN[1:0]b used as two single-ended clocks rather than as a differential clock.
- c. These values are compliant with JESD8-5A.01. These values only apply to XIN_REFIN and XOUT_REFINb when “Input Buffer” mode is selected. See the Applications section for more details.

Table 34. GPI/GPIO Electrical Characteristics – 3.3V VDDD, VDDR, or VDDX [a][b]

Symbol	Parameter	Conditions	Minimum	Typical	Maximum	Unit
V _{IH}	Input High Voltage [c]	XIN_REFIN, XOUT_REFINb, GPI[3:0], GPIO[4:0].	2.2	-	VDD + 0.3	V
V _{IL}	Input Low Voltage [c]	XIN_REFIN, XOUT_REFINb, GPI[3:0], GPIO[4:0].	-0.3	-	0.8	
V _{OH}	Output High Voltage [c]	GPIO[4:0], IOH = -2mA.	2.4	-	VDD + 0.3	
V _{OL}	Output Low Voltage [c]	GPIO[4:0], IOL = 2mA.	-	-	0.4	
V _{IH}	Input High Voltage	GPIO[2:0], when set to tri-level.	0.75 VDD	-	VDD + 0.3	
V _{IM}	Input Mid Voltage	GPIO[2:0], when set to tri-level.	0.45 VDD	-	0.55 VDD	
V _{IL}	Input Low Voltage	GPIO[2:0], when set to tri-level.	-0.3	-	0.25 VDD	

- a. Input specifications refer to signals XIN_REFIN, XOUT_REFINb, GPI[3:0], GPIO[4:0], when acting as inputs. Output specifications refer to signals GPIO[4:0], when acting as outputs. To determine which VDD pin is referenced for each group in Table 34, see GPI and GPIO VDD pin assignments in Pin Information. For SCL_SCLK, SDA_SDI, see the I2C/SMBus electrical characteristics Table 37 and Table 38.
- b. CLKIN[1:0]/CLKIN[1:0]b used as two single-ended clocks rather than as a differential clock.
- c. These values are compliant with JESD8-5A.01. These values only apply to XIN_REFIN and XOUT_REFINb when “Input Buffer” mode is selected. See the Applications section for more details.

Table 35. CMOS GPI/GPIO Common Electrical Characteristics [a][b]

Symbol	Parameter	Conditions	Minimum	Typical	Maximum	Unit
I _{IL}	Input Leakage Current	Includes input pull up/pull down resistor current. V _{IL} = 0V, V _{IH} = V _{DD} .	-15	-	15	μA

- a. Input specifications refer to signals XIN_REFIN, XOUT_REFINb, GPI[3:0], GPIO[4:0], when acting as inputs. Output specifications refer to signals GPIO[4:0], when acting as outputs. For VDD pin mapping, see GPI and GPIO VDD pin assignments in Pin Information.
- b. CLKIN[1:0]/CLKIN[1:0]b used as two single-ended clocks rather than as a differential clock.

Table 36. Power Supply Current [a]

Symbol	Parameter	Conditions	Typical	Maximum	Unit
I _{DDR}	V _{DDR} Supply Current	CMOS inputs (per input) [b][c]	11	20	mA
		HCSL inputs (per input pair) [c]	12	15	
		LVDS inputs (per input pair) [b][c]	13	14	
		LVPECL inputs (per input pair) [c][d] V _{DDR} = 2.5V or 3.3V,	13	15	
		CML inputs (per input pair) [c][d] V _{DDR} = 2.5V or 3.3V, input termination disabled.	14	16	
		CML inputs (per input pair) [c][d] V _{DDR} = 2.5V or 3.3V, input termination enabled.	33	54	
I _{DDRBias}	Bias Supply Current	Internal DC-bias circuit when enabled for AC-coupled external clock (per input pair) [c]	13	24	mA

Table 36. Power Supply Current [a] (Cont.)

Symbol	Parameter	Conditions	Typical	Maximum	Unit
I _{DDX}	V _{DDX} Supply Current	Crystal oscillator supply	3.5	5	mA
I _{DDA}	V _{DDA} Supply Current	V _{DDA} = any valid supply.	142	151	mA
I _{DDD}	V _{DDD} Supply Current	V _{DDD} = any valid supply.	69	73	mA
I _{DDO_CMOS}	V _{DDO} Supply Current per output pair, CMOS mode (both OUT[x] and OUT[x]b enabled). [e][f]	V _{DDO} = 1.8V ±5%.	13	20	mA
		V _{DDO} = 2.5V ±5%.	18	24	
		V _{DDO} = 3.3V ±5%.	25	33	
	V _{DDO} Supply Current per output pair, CMOS mode (OUT[x] or OUT[x]b enabled, other output Hi-Z). [e][f]	V _{DDO} = 1.8V ±5%.	8	16	mA
		V _{DDO} = 2.5 ±5%.	11	17	
		V _{DDO} = 3.3 ±5%.	15	23	
I _{DDO_LPHCSL}	V _{DDO} Supply Current per output pair [e][f]	LP-HCSL outputs, 85ohm impedance, fast slew rate, 650MHz. V _{DDO} = any valid supply.	12	19	mA
		LP-HCSL outputs, 85ohm impedance, fast slew rate, 100MHz for PCIe. V _{DDO} = any valid supply.	13	17	
I _{DDO_LVDS}	V _{DDO} Supply Current per output pair, LVDS mode [c][d]	V _{DDO} = any valid supply.	8	17	mA
I _{DD_IOD}	V _{DDO} Divider Supply Current	Portion of VDDO used by IOD	25	28	mA
I _{DD_FOD}	V _{DDO} Divider Supply Current	Portion of VDDO used by FOD	38	51	mA
I _{DD_PD}	Total Power Down Current	Power Down Mode Enabled, VDDs = 1.8V	13	16	mA
		Power Down Mode Enabled, VDDs = 2.5V	15	23	
		Power Down Mode Enabled, VDDs = 3.3V	19	38	

- a. Current consumption figures represent a worst-case consumption with all functions associated with the particular voltage supply enabled and all outputs running at maximum speed, unless otherwise noted. This information is provided to allow for design of appropriate power supply circuits that will support all possible register-based configurations for the device. To determine actual consumption for the user's device configuration, see [Power Considerations](#). Outputs are not terminated. Values apply to all voltage levels unless noted.
- b. Voltage of the input signal must be appropriate for the V_{DDR} voltage supply level when using a DC-coupled connection. For example, when supplying an LVDS input signal that is referenced to a 2.5V supply at its source, the V_{DDR} supply must also be 2.5V nominal voltage. When using a 3.3V CMOS input signal, V_{DDR} must be 3.3V
- c. There are two possible input clock pairs. If both are used, the current for each type must be added together. If the external clock(s) is/are AC-coupled, the internal DC-bias must be enabled and also added to the total I_{DDR} current.
- d. LVPECL and CML input clocks are not supported when V_{DDR} = 1.8V.
- e. I_{DDO_x} denotes the current consumed by each output driver and does not include output divider current. These values are measured at maximum output frequency, unless otherwise stated (200MHz for LVCMOS outputs and 650MHz for differential outputs).
- f. Please refer to the Output Driver and Output Divider V_{DDO} Pin Assignments Table to determine the allocation of I_{DDO_IOD}, I_{DDO_FOD} and I_{DDO_x} to each V_{DDO} pin.

Table 37. I²C/SMBus Bus DC Electrical Characteristics [a]

Symbol	Parameter	Conditions	Minimum	Typical	Maximum	Unit
V _{IH}	High-level input voltage for SCL_SCLK and SDA_nCS	-	0.7 V _{DDD}	-	-	V
V _{IL}	Low-level input voltage for SCL_SCLK and SDA_nCS	-	-	-	0.3 V _{DDD}	V
V _{HYS}	Hysteresis of Schmitt trigger inputs	-	0.05 V _{DDD}	-	-	V
V _{OL}	Low-level output voltage for SCL_SCLK and SDA_nCS	I _{OL} = 4mA	-	-	0.4	V
I _{IN}	Input leakage current per pin	-	-10	-	10	μA
C _B	Capacitive Load for Each Bus Line	-	-	-	400	pF

a. V_{OH} is governed by the V_{PUP}, the voltage rail to which the pull up resistors are connected.

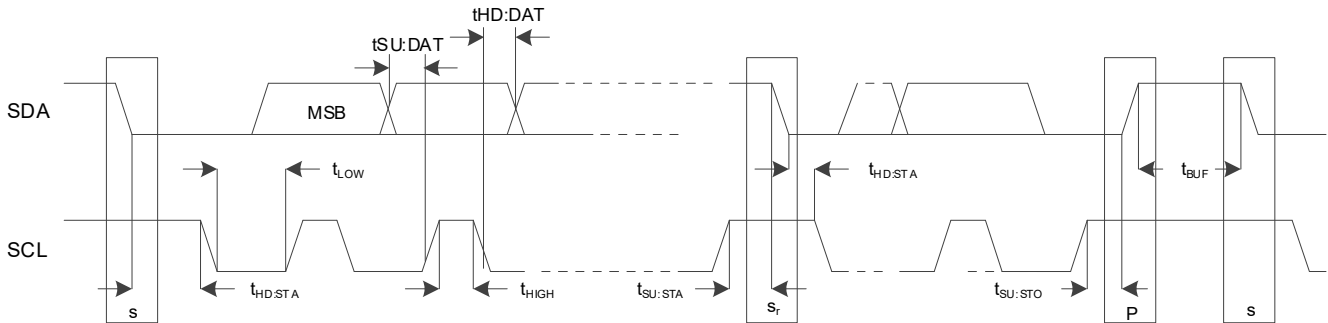


Figure 2. I²C/SMBus Slave Timing Diagram

Table 38. I²C/SMBus Bus AC Electrical Characteristics

Symbol	Parameter	Conditions	100kHz Class Minimum	100kHz Class Maximum	400kHz Class Minimum	400kHz Class Maximum	Unit
f _{SMB}	SMBus Operating Frequency [a]	-	10	100	10	400	kHz
t _{BUF}	Bus free time between STOP and START Condition	-	4.7	-	1.3	-	μs
t _{HD:STA}	Hold time after (REPEATED) START Condition [b]	-	4	-	0.6	-	
t _{SU:STA}	REPEATED START Condition setup time	-	4.7	-	0.6	-	
t _{SU:STO}	STOP Condition setup time	-	4	-	0.6	-	
t _{HD:DAT}	Data hold time [c]	-	300	-	300	-	ns
t _{SU:DAT}	Data setup time	-	250	-	100	-	
t _{TIMEOUT}	Detect SCL_SCLK low timeout [d]	-	25	35	25	35	ms
t _{TIMEOUT}	Detect SDA_nCS low timeout [e]	-	25	35	25	35	
t _{LOW}	Clock low period	-	4.7	-	1.3	-	μs
t _{HIGH}	Clock high period [f]	-	4	50	0.6	50	

Table 38. I²C/SMBus Bus AC Electrical Characteristics (Cont.)

Symbol	Parameter	Conditions	100kHz Class Minimum	100kHz Class Maximum	400kHz Class Minimum	400kHz Class Maximum	Unit
t _{LOW:SEXT}	Cumulative clock low extend time (slave device) [g]	-	N/A, the RC210xxA do not extend the clock low.				ms
t _{LOW:MEXT}	Cumulative clock low extend time (master device) [h]	-	N/A, the RC210xxA are not bus masters.				
t _F	Clock/Data Fall Time [i]	-	-	120	-	120	ns
t _R	Clock/Data Rise Time [i]	-	-	120	-	120	
t _{SPIKE}	Noise spike suppression time [j]	-	-	N/A	-	50	

- a. A master shall not drive the clock at a frequency below the minimum f_{SMB} . Further, the operating clock frequency shall not be reduced below the minimum value of f_{SMB} due to periodic clock extending by slave devices as defined in Section 5.3.3 of the *SMBus 2.0 Specification*. This limit does not apply to the bus idle condition, and this limit is independent from the $t_{LOW:SEXT}$ and $t_{LOW:MEXT}$ limits. For example, if the SMBCLK is high for $t_{HIGH:MAX}$, the clock must not be periodically stretched longer than $1/f_{SMB:MIN} - t_{HIGH:MAX}$. This requirement does not pertain to a device that extends the SMBCLK low for data processing of a received byte, data buffering and so forth for longer than 100µs in a non-periodic way.
- b. A device must internally provide sufficient hold time for the SMBDAT signal (with respect to the $V_{IH:MIN}$ of the SMBCLK signal) to bridge the undefined region of the falling edge of SMBCLK.
- c. Slave devices may have caused other slave devices to hold SDA low. The maximum time that a device can hold SMBDAT low after the master raises SMBCLK after the last bit of a transaction. A slave device may detect how long SDA is held low and release SDA after the time out period.
- d. Devices participating in a transfer can abort the transfer in progress and release the bus when any single clock low interval exceeds the value of $t_{TIMEOUT:MIN}$. After the master in a transaction detects this condition, it must generate a stop condition within or after the current data byte in the transfer process. Devices that have detected this condition must reset their communication and be able to receive a new START condition no later than $t_{TIMEOUT:MAX}$. Typical device examples include the host controller, and embedded controller, and most devices that can master the SMBus. Some simple devices do not contain a clock low drive circuit; this simple kind of device typically may reset its communications port after a start or a stop condition. A timeout condition can only be ensured if the device that is forcing the timeout holds the SMBCLK low for $t_{TIMEOUT:MAX}$ or longer.
- e. The device has the option of detecting a timeout if the SDA_nCS pin is also low for this time.
- f. $t_{HIGH:MAX}$ provides a simple guaranteed method for masters to detect bus idle conditions. A master can assume that the bus is free if it detects that the clock and data signals have been high for greater than $t_{HIGH:MAX}$.
- g. $t_{HIGH:MAX}$ provides a simple guaranteed method for masters to detect bus idle conditions. A master can assume that the bus is free if it detects that the clock and data signals have been high for greater than $t_{HIGH:MAX}$.
- h. $t_{LOW:SEXT}$ is the cumulative time a given slave device is allowed to extend the clock cycles in one message from the initial START to the STOP. It is possible that another slave device or the master will also extend the clock causing the combined clock low extend time to be greater than $t_{LOW:SEXT}$. Therefore, this parameter is measured with the slave device as the sole target of a full-speed master.
- i. The rise and fall time measurement limits are defined as follows:
 Rise Time Limits: ($V_{IL:MAX} - 0.15V$) to ($V_{IH:MIN} + 0.15V$)
 Fall Time Limits: ($V_{IH:MIN} + 0.15V$) to ($V_{IL:MAX} - 0.15V$)
- j. Devices must provide a means to reject noise spikes of a duration up to the maximum specified value.

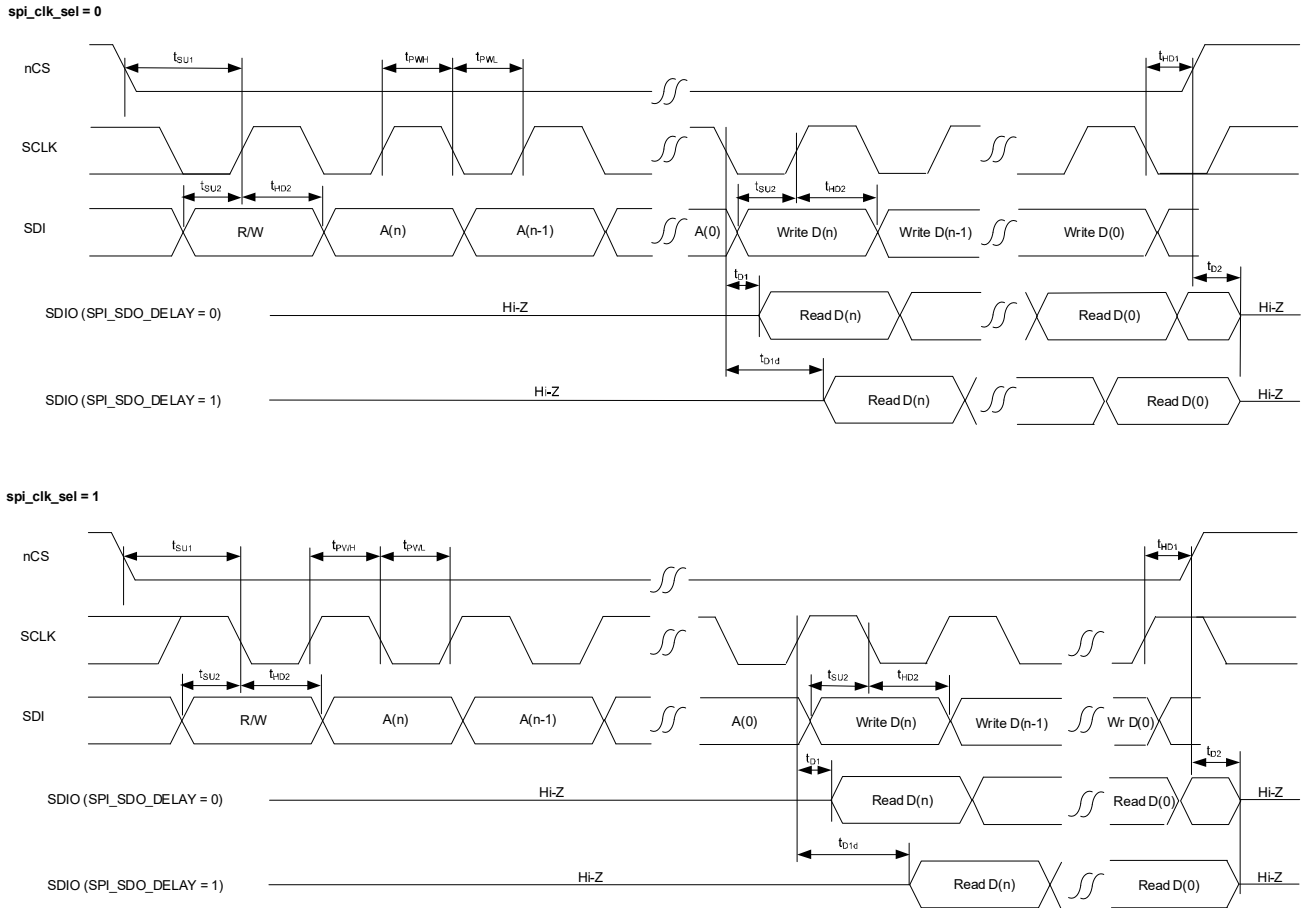


Figure 3. SPI Bus Timing

Table 39. SPI Slave Interface Electrical Characteristics

Symbol	Parameter	Conditions	Minimum	Typical	Maximum	Unit
f_{OP}	Operating frequency	-	0.1	-	20	MHz
t_{PWH}	SCLK Pulse Width High	-	-	25	-	ns
t_{PWL}	SCLK Pulse Width Low	-	-	25	-	
t_{SU1}	nCS Setup Time to SCLK rising or falling edge	-	-	7	-	ns
t_{HD1}	nCS Hold Time from SCLK rising or falling edge	-	-	10	-	ns
t_{SU2}	SDIO Setup Time to SCLK rising or falling edge	-	-	4	-	ns
t_{HD2}	SDIO Hold Time from SCLK rising or falling edge	-	-	1	-	ns
t_{D1}	Read Data Valid Time from SCLK rising or falling edge with no data delay added	-	-	6	-	ns
t_{D1d}	Read Data Valid Time from SCLK rising or falling edge including half period of SCLK delay added to data timing	[a]	-	6 + half SCLK period	-	ns
t_{D2}	SDIO Read Data Hi-Z Time from CS High	[b]	-	10	-	ns

a. Adding the extra half period of delay is a register programming option to emulate read data being clocked out on the opposite edge of the SCLK to the write data.

b. This is the time until the device releases the signal. Rise time to any specific voltage is dependent on pull-up resistor strength and PCB trace loading.

Table 40. Power Supply Noise Rejection

Symbol	Parameter	Conditions	Minimum	Typical	Maximum	Unit
PSNR	Power Supply Noise Rejection [a][b][c][d] 1.8V operation	$f_{\text{NOISE}} \leq 1\text{MHz}$, VDDO[0:6] [e]	-146	-112	-	dBc
		$f_{\text{NOISE}} \leq 1\text{MHz}$	-76	-69	-	
		$f_{\text{NOISE}} \leq 100\text{kHz}$	-138	-135	-	
		$f_{\text{NOISE}} \leq 100\text{kHz}$	-97	-85	-	
		$100\text{kHz} \leq f_{\text{NOISE}} \leq 500\text{kHz}$	-140	-139	-	
		$100\text{kHz} \leq f_{\text{NOISE}} \leq 500\text{kHz}$	-138	-105	-	
		$500\text{kHz} \leq f_{\text{NOISE}} \leq 1\text{MHz}$	-144	-143	-	
		$500\text{kHz} \leq f_{\text{NOISE}} \leq 1\text{MHz}$	-93	-90	-	
PSNR	Power Supply Noise Rejection [a][c][d][f] 2.5V or 3.3V operation	$f_{\text{NOISE}} \leq 1\text{MHz}$, VDDO[0:6] [e]	-146	-112	-	dBc
		$f_{\text{NOISE}} \leq 1\text{MHz}$	-76	-69	-	
		$f_{\text{NOISE}} \leq 100\text{kHz}$	-138	-135	-	
		$f_{\text{NOISE}} \leq 100\text{kHz}$	-94	-85	-	
		$100\text{kHz} \leq f_{\text{NOISE}} \leq 500\text{kHz}$	-140	-139	-	
		$100\text{kHz} \leq f_{\text{NOISE}} \leq 500\text{kHz}$	-138	-105	-	
		$500\text{kHz} \leq f_{\text{NOISE}} \leq 1\text{MHz}$	-144	-143	-	
		$500\text{kHz} \leq f_{\text{NOISE}} \leq 1\text{MHz}$	-93	-90	-	

- a. Electrical parameters are guaranteed over the specified ambient operating temperature range, which is established when the device is mounted in a test socket with maintained transverse airflow greater than 500lfpm. The device will meet specifications after thermal equilibrium has been reached under these conditions.
- b. VDDX = VDDR = VDDR2 = VDDA = VDD[0:6] = 1.8V ±5%, VSS = 0V, TA = -40°C to 85°C.
- c. 50mV peak-to-peak sine wave applied injected on indicated power supply pin(s).
- d. Noise spur amplitude measured relative to 156.25MHz carrier frequency.
- e. Excluding VDDOx of the output being measured.
- f. VDDX = VDDR = VDDR2 = VDDA = VDD[0:6] = 2.5V or 3.3V ±5%, VSS = 0V, TA = -40°C to 85°C.

3. Functional Description

The RC210xxA is a small-form factor, fully integrated, low-power, high performance frequency synthesizer providing excellent phase jitter on reference clocks for PCI express and Ethernet, while covering a wide range of output frequencies up to 650MHz. It can simultaneously provide low phase jitter non-spreading clocks for Ethernet and storage applications, while providing spread-spectrum PCIe Gen6 clocks.

The following sections provide an overview of the RC210xxA.

3.1 Power-Up, Configuration, and Serial Interfaces

The RC210xxA can be powered up and configured in three ways:

1. From 1 of 27 internal non-volatile memory using OTP user configurations (UserCfgs)
2. From its slave serial interface
3. From an external I2C EEPROM

The RC210xxA supports three slave serial interfaces (I2C, SPI, and SMBUS), and one serial master interface (I2C). These interfaces share the same pins, so only one is available at a time.

3.2 Input Clocks

The RC210xxA supports one crystal/reference input and up to two differential or four single-ended clock inputs.

3.2.1 Crystal/Reference Input

The crystal input supports crystal frequencies of 8MHz to 80MHz. It has programmable internal load capacitors to support crystals with CL = 6pF to 12pF. Internal crystal variants of RC210xxA support a trim value in OTP that can be set during ATE to compensate for initial frequency offset of the internal crystal.

The crystal input may be over-driven with differential or single-ended inputs with proper external terminations. It also supports being over-driven with a clipped sine-wave TCXO with a $0.8V_{PP}$ signal.

The supported frequency range is same as reference clock inputs: 1kHz to 650MHz in differential mode, and 1kHz to 200MHz in single-ended mode.

An available LOS monitor detects the loss of signal on crystal input.

3.2.2 Clock Inputs

There are two differential clock inputs that support LVDS, HCSL, or single-ended CMOS logic levels without external terminations. LVPECL or CML clock inputs may be supported with external terminations and/or AC coupling. Internal terminations are available for both HCSL and LVDS logic levels. Additionally, HCSL input terminations support both 100ohm and 85ohm operating environments.

If set to single-ended type, the differential inputs turn into two single-ended inputs. CLKIN0 drives clkin0 internally, CLKIN0b drives clkin1 internally, CLKIN1 drives clkin2 internally, and CLKIN1b drives clkin3 internally. If set to differential type, CLKIN0/CLKIN0b pair drives clkin0 while CLKIN1/CLKIN1b pair drives clkin2. Internal biasing is available for AC-coupled applications. The two clock inputs can be left floating when unused. An available LOS monitor detects the loss of signal on crystal input.

3.3 Clock Input Monitor

The APLL input is monitored for Loss of Signal (LOS).

The LOS monitor detects missing edges over a window of several reference clock periods. For the best accuracy, it is recommended to program the window to be equal to at least 8 times that of the measuring clock period.

3.4 APLL

The APLL is fractional LC-VCO based PLL with an operating range from 9.5GHz to 10.7GHz. Any of the available input clocks can be selected to drive the APLL, and the input clock can be frequency doubled for increased performance. The APLL is temperature compensated for the utmost frequency stability. For synchronous, deterministic requirements, the APLL also supports ZDB mode where CLKIN0 is used for the feedback input.

3.4.1 APLL Lock Detector

The APLL lock detector indicates whether the APLL is locked to a functioning crystal or reference input by monitoring the phase errors. Lock status can be sent on to a GPIO pin or in the register map.

3.5 Output Dividers

The RC210xxA provides four integer and three fractional output dividers.

3.5.1 Integer Output Dividers

All four Integer Output Dividers (IOD) are identical. They use a 25-bit divider to provide output frequencies of 1kHz to 650MHz from the VCO clock. Changing IOD values results in an immediate change to the new frequency. Glitch-less squelch and release of the IOD clock is supported. When enabled, this mimics a gapped clock behavior when an IOD frequency is changed.

3.5.2 Fractional Output Dividers

There are three Fractional Output Dividers (FOD). Each FOD can divide down the VCO clock to provide frequencies from 1kHz to 650MHz. Each FOD is implemented in two stages. The first stage is an 8-bit fractional divider with Digital Control Delay (DCD) correction. The DCD FOD allows a divide down of the VCO clock to 30MHz to 650MHz. A 17-bit second-stage integer divider with minimum divide ratio of 4 and a maximum ratio of $2^{(2^{17}-1)}$ allows output frequencies lower than 30MHz. For output frequencies above 30MHz, this second-stage divider may be bypassed.

3.5.2.1 Spread-Spectrum Clocking

FOD0 and FOD1 support Spread-Spectrum Clocking (SSC).

When SSC is enabled, the spread spectrum engine modulates the FOD divider ratio with a triangular modulation pattern. The modulation can be programmed for either down-spread or center-spread. The SSC modulation frequency can be programmed to a value between 30kHz to 63kHz. The SSC amplitude can be programmed in 0.05% steps to -1.5% for down spread, or $\pm 1.5\%$ for center spread. When turning off SSC, the current modulation cycle completes, returning the output to the non-spreading frequency before the SSC stops.

3.5.2.2 Sync and Phase Adjustment

Each FOD can adjust its output clock phase with a step size of 1/4 VCO period up to about ± 20 ns. The adjustment can be of either positive or negative directions.

IOD phase adjustment is same as FOD phase adjustment but with a step size of one VCO period.

3.6 Clock Outputs

The RC210xxA supports up to 12 differential or 24 single-ended clock outputs or any combination of differential and single-ended clock outputs. Every differential clock output can be programmed as two single-ended clock outputs.

3.6.1 Output Types

The RC210xxA outputs drive HCSL inputs (such as those used in PCIe applications) directly. They use Low-Power HCSL (LP-HCSL) driver technology to eliminate external termination resistors. The LP-HCSL outputs can

be set to 85ohm or 100ohm differential output impedance. The LP-HCSL outputs have selectable output swing and slew rate settings.

The RC210xxA outputs may also be set to LVDS. LVDS outputs require only a 100ohm resistor between the true and complement inputs of the receiver clock input. LVDS outputs have selectable amplitude. Both LVDS and LP-HCSL outputs provide LVPECL and CML-compatible output swing levels by using external AC coupling.

If set to single-ended mode, the output pair can drive either pin or both pins. If both pins are enabled, they can be in phase, or inverted phase. The single-ended outputs support CMOS swings of 1.8V, 2.5V, or 3.3V as determined by their VDDO voltage.

3.6.2 Output Banks

The RC210xxA maps the internal and external frequency sources to output banks, that can be programmed in register `output_bank_src`, according to [Table 41](#). There are up to 12 clock outputs arranged in seven output banks. Each bank sits on its own VDDO (each VDDO also supplies an IOD or FOD according to [Table 42](#)).

Table 41. Output Bank Source Mapping

output_bank_src	Bank 0	Bank 1	Bank 2	Bank 3	Bank 4	Bank 5	Bank 6
	OUT0	OUT1	OUT[2:3]	OUT[4:7]	OUT[8:9]	OUT10	OUT11
0x0	IOD0		N/A		CLKIN1		
0x1	IOD1			N/A		XIN_REFIN	N/A
0x2	N/A				IOD2		
0x3	N/A					IOD3	
0x4	FOD0				N/A		
0x5	FOD1						
0x6	N/A			FOD2			
0x7	N/A				CLKIN0		

Table 42. VDD Pin Assignments for Outputs, Integer Output Dividers, and Fractional Output Dividers

VDDO0	VDDO1	VDDO2	VDDO3	VDDO4	VDDO5	VDDO6	VDDX	VDDR	VDDD	VDDA
IOD0, OUT0	IOD1, OUT1	FOD0, OUT[2:3]	FOD1, OUT[4:7]	FOD2, OUT[8:9]	IOD2, OUT10	IOD3, OUT11	XO, XIN_REFIN, XOUT_REFI Nb	GPI[3:0]	SCL_SCLK, SDA_nCS, GPIO[4:0]	PLL

4. Application Information

4.1 Recommendations for Unused Input and Output Pins

4.1.1 CLKIN/CLKINb [1:0] Inputs

For applications that do not require the use of reference clock inputs, both CLKIN and CLKINb should be left floating. If the CLKIN/CLKINb inputs are connected but not used by the device, Renesas recommends that CLKIN and CLKINb be connected to static signals, not active signals.

4.1.2 LVCMOS Control Pins

LVCMOS control pins have selectable internal pull-ups and/or pull-downs. Additional resistance is not required but may be added for additional protection. A 10kΩ resistor can be used.

4.1.3 LVCMOS Outputs

Any LVCMOS output may be left floating if unused. There should be no trace attached. The mode of the output buffer should be set to high impedance state to avoid unnecessary noise generation.

4.1.4 Differential Outputs

All unused differential outputs may be left floating. There should be no trace attached. Both sides of the differential output pair should be treated the same, either left floating or terminated.

4.2 CLKIN/CLKINb Clock Inputs Interface

The RC210xxA provides a programmable input buffer for reference clock inputs, as shown in [Figure 4](#). This programmable buffer supports most standard signaling protocols with no need for external termination components at the receiver end of the transmission line.

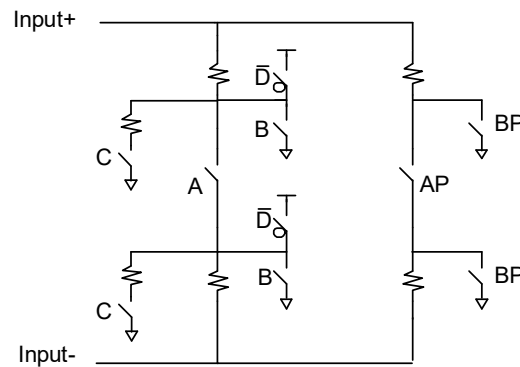


Figure 4. Programmable Input Buffer Logical Diagram

By making appropriate register selections, the switches labeled in [Figure 4](#) can be closed as shown in [Table 43](#) to support the indicated protocols. With the switches closed as indicated, the input buffer will operate as shown in [Figure 5](#) for the various input reference signal protocols. Note that HCSL is used in both 100ohm and 85ohm transmission line environments and this input buffer supports both with no external terminations required.

Table 43. Input Buffer Programming Options for Specific Signaling Protocols

Input Signaling Protocol	Switches Closed	V _{DDR} Voltage Required
2.5V LVPECL	A, C	2.5V
3.3V LVPECL	A, C	3.3V
LVDS (85 ohms)	A, AP	1.8V / 2.5V / 3.3V
LVDS (100 ohms)	A	1.8V / 2.5V / 3.3V
1.8V LVCMOS	-	1.8V
2.5V LVCMOS	-	2.5V
3.3V LVCMOS	-	3.3V
CML	D	3.3V
HCSL (42.5 ohms)	B, BP	1.8V / 2.5V / 3.3V
HCSL (42 ohms)	B	1.8V / 2.5V / 3.3V
Externally AC-coupled ^[a]	-	1.8V / 2.5V / 3.3V

a. In this mode of operation, AC-coupling capacitors must be used to isolate the voltage level of the transmitter from the receiver. The signal must be properly terminated on the transmitter side of the AC-coupling capacitors. Bias terminations are needed between the AC-coupling capacitors and the RC210xxA.

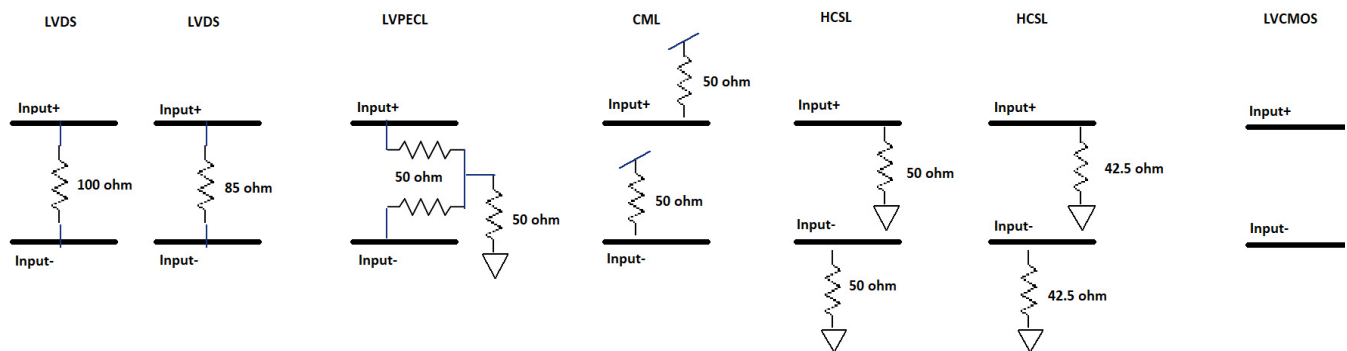


Figure 5. Input Buffer Behavior by Protocol

4.3 Overdriving the XTAL Interface

4.3.1 XTAL Interface Set to Input Buffer Mode

The RC210xxA has two bits to disconnect the internal XO and enable input buffer mode on the XIN_REFIN/XOUT_REFINb pins. First, setting `sel_ib_xo = 0`, disconnects the internal XO. Next, setting `xo_ib_cmos_sel = 1` enables the LVCMOS input clock path. Setting these two bits as indicated removes any AC-coupling or input voltage requirements for overdriving the XTAL interface. Note that the maximum input swing is still governed by the VDDX supply rail. Once set to Input Buffer Mode, the input can be directly driven with a single-ended or differential oscillator. There is no internal termination capability when using the XTAL interface in input buffer mode. Other than this lack of internal terminations, the input buffer mode has all capabilities of the CLKIN/CLKINb interfaces.

4.3.2 XTAL Interface in XO Mode, Input Buffer Mode Not Selected

If the two bits mentioned above are not set as indicated, then there is a limitation of 1.2V on the XIN_REFIN/XOUT_REFINb pins. Input buffer mode is preferred as described in section 4.3.1.

The XIN_REFIN input can be overdriven by an LVCMOS driver or by one side of a differential driver through an AC coupling capacitor. The XOUT pin can be left floating. The amplitude of the input signal should be between

500mV and 1.2V, and the slew rate must be $\geq 0.2V/ns$. For 1.2V LVCMOS, inputs can be DC-coupled into the device as shown in Figure 6. For LVCMOS drivers with $> 1.2V$ swing, the amplitude must be reduced from full swing to at least 1.2V in order to prevent signal interference with the power rail. The sum of the driver output impedance and R_s must equal the transmission line impedance to prevent overshoot and undershoot.

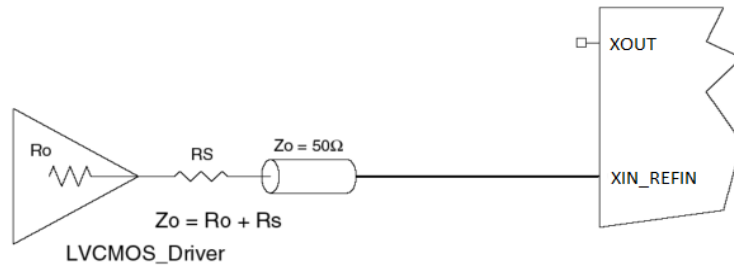


Figure 6. 1.2V LVCMOS Driver to XTAL Input Interface

Figure 7 shows an example of the interface diagram for a high-speed 3.3V LVCMOS driver. This configuration requires that the sum of the output impedance of the driver (R_o) and the series resistance (R_s) equal the transmission line impedance. This can be done in one of two ways. First, R_1 and R_2 in parallel should equal the transmission line impedance. We also need to scale the 3.3V LVCMOS swing to 1.2V ($\sim 1/3$ of the swing). This yields $R_1 = 2 \times R_2$ while $R_1 \parallel R_2 = 50\Omega$. Solving for a 50Ω ohm system gives $R_1 = 150\Omega$ and $R_2 = 75\Omega$. The values of the resistors can be increased to reduce the loading for a slower and weaker LVCMOS driver. Different scaling factors are required for 2.5V and 1.8V LVCMOS drivers.

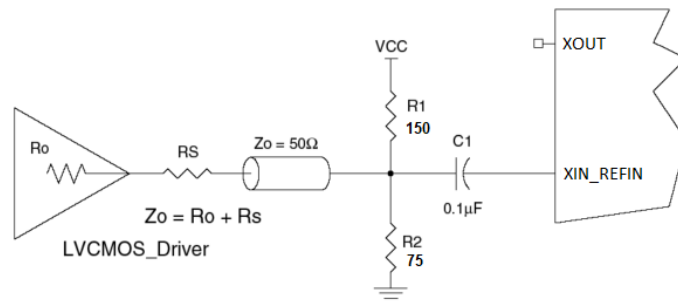


Figure 7. LVCMOS Driver to XTAL Input Interface

Figure 8 shows an example of the interface diagram for an LVPECL driver. This is a standard LVPECL termination with one side of the driver feeding the XIN_REFIN input. Renesas recommends that all components in the schematics be placed in the layout. Though some components may not be used by the application, they can be used for debugging purposes.

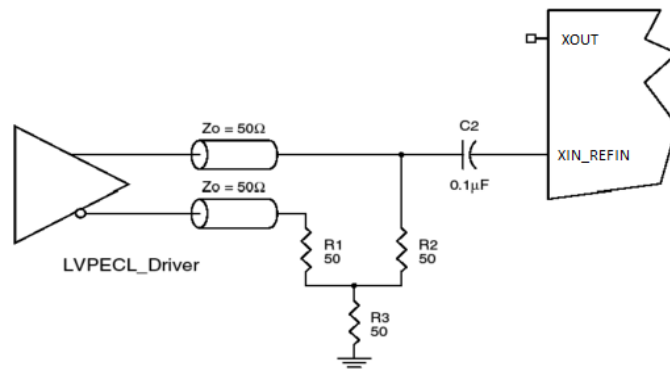


Figure 8. LVPECL Driver to XTAL Input Interface

4.4 Differential Output Terminations

4.4.1 Direct-Coupled LP-HCSL Termination

For the LP-HCSL differential protocol, the following termination scheme is recommended (see [Figure 9](#)). The RC210xxA supports internal source terminations (see [Figure 9](#)) for 85 ohm or 100 ohm differential transmission lines. No external components are needed.

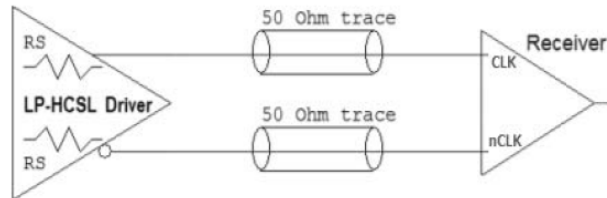


Figure 9. Standard HCSL Termination

4.4.2 Direct-Coupled LVDS Termination

For LVDS differential protocol, the following termination scheme is recommended (see [Figure 10](#)). The recommended value for the termination impedance (Z_T) is between 90Ω and 132Ω . The actual value should be selected to match the differential impedance (Z_0) of the transmission line. A typical point-to-point LVDS design uses a 100Ω parallel resistor at the receiver in a 100Ω differential transmission-line environment. In order to avoid any transmission-line reflection issues, any external components should be surface-mounted and must be placed as close to the receiver as possible.

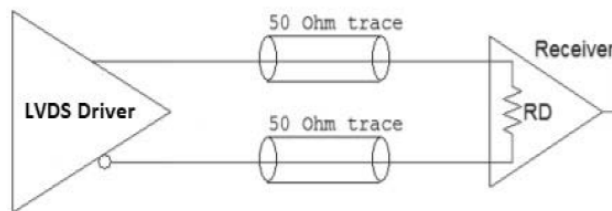


Figure 10. Standard LVDS Termination

4.4.3 AC-Coupled Differential Terminations for Other Protocols

Alternate differential protocols including LVPECL, CML and SSTL can be supported with AC-coupled LP-HCSL outputs. [Figure 11](#) shows a typical AC-coupled termination scheme for a 100Ω differential transmission-line environment. The RC210xxA supports a differential swing of 1.6V or 1.8V in LP-HCSL mode.

No terminations are needed between the RC210xxA and the AC-coupling capacitors. The resistors on the receiver side of the AC-coupling capacitors provide an appropriate voltage bias for the particular receiver. Finally, a 100Ω resistor across the differential pair (located near the receiver) attenuates reflections that may corrupt the clock signal integrity.

Often, receivers used with a high-performance device like the RC210xxA are equipped with internal terminations, voltage biasing, and even AC-coupling. Please consult your particular the receiver specification to determine if any or all of the indicated external components in [Figure 11](#) are needed.

Refer to *Driving LVPECL, LVDS, CML, and SSTL Logic with Renesas' "Universal" Low-Power HCSL Outputs* (AN-891) on the RC210xxA product page for additional information on both re-biasing and amplitude attenuation.

If a smaller differential swing is desired as a starting point, refer to "LVDS Termination" in *Quick Guide - Output Terminations* (AN-953) located on the RC210xxA product page.

Please contact Renesas for additional support, if necessary.

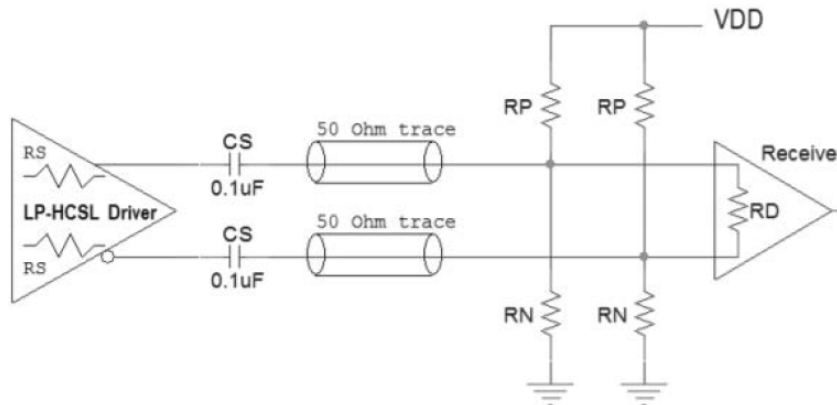


Figure 11. AC-Coupling Termination

4.5 Crystal Recommendations

For the latest vendor / frequency recommendations, please contact Renesas.

4.6 External I²C Serial EEPROM Recommendations

An external I²C EEPROM can be used to store configuration data, please contact Renesas for specific recommendations. A specific configuration code is required for the devices to access an external I²C serial EEPROM at power up. See the ordering information.

4.7 Power Considerations

The electrical characteristics tables provide current consumption values for various blocks and output configurations, and can be used to estimate total current consumption for a particular design. The Renesas IC Toolbox, available on the Renesas website, can also be used to estimate current consumption. A quick note on terms used in this section: “power rail” refers to the power connection to a particular VDD pin. This means that different VDD pins might be connected to the same voltage, yet may also be connected to different power rails. We will use “power rail” when discussing power sequencing considerations.

4.7.1 Power Sequencing Considerations

The power sequencing considerations must be followed to ensure robust operation of the RC210xxA. When the entire RC210xxA is powered from a single power rail, these considerations are easy to meet. For applications where multiple supply rails are used, meeting these considerations requires a bit of planning.

The RC210xxA has two GPIO functions (PWRGD/PWRDN# or PWRGD/RESTART#) which can simplify power supply sequencing in multi-power rail environments. There are two scenarios to consider. The first scenario does not use the PWRGD/PWRDN# or PWRGD/RESTART# function (GPI/GPIO pin). The second scenario uses the PWRGD/PWRDN# or PWRGD/RESTART# function.

The RC210xxA has no specific power sequencing requirements. The design software may be used to disconnect unused power supply pins in the silicon, which then allows the user to leave these unused supply pins unconnected. These unused pins are then removed from power sequencing considerations.

The RC210xxA also has two GPIO functions (PWRGD/PWRDN# or PWRGD/RESTART#) which give the user more control over power up timing in applications environments such as data centers. These environments often need to hold clocks in reset until the devices receiving the clocks have completed their power-up housekeeping and are ready to receive clocks. We discuss operation without this GPIO function first, followed by a discussion with this GPIO function.

4.7.1.1 Power-Up Operation without PWRGD/PWRDN# or PWRGD/RESTART# Function

When PWRGD/PWRDN# or PWRGD/RESTART# is not used, the RC210xxA outputs are gated by the last VDD pin to become valid. See Table 16 for details.

Renesas recommends ramping the VDDA and VDDD power supply rails at the same time. They do not need to be the same voltage, although they may be. Both pins may also be tied to the same power supply rail if operating from the same voltage. Logic powered by the VDDA/VDDD pins controls the internal reset sequencer. After the VDDA/VDDD rails ramp, the VDDO rails need to ramp within $t_{VDDODLY}$ of the VDDA/VDDD rails. This means the VDDO rails may ramp at the same time as the VDDA/VDDD rails, or may be delayed as much as 4ms. The reference voltage for measuring the ramp is 1.62V regardless of the supply voltage. Figure 12 shows the power supply timing requirements without the PWRGD/PWRDN# or PWRGD/RESTART# function.

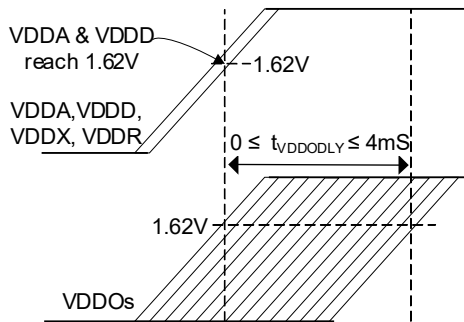


Figure 12. Power Supply Sequencing without PWRGD/PWRDN# or PWRGD/RESTART#

4.7.1.2 Power-Up Using PWRGD/PWRDN# or PWRGD/RESTART#

Using PWRGD/PWRDN# or PWRGD/RESTART# relaxes power supply sequencing requirements. The VDDA and VDDD power rails must still ramp as indicated in Section 4.7.1.1, but using either function allows an indefinite delay of the VDDO power rails.

Using the PWRGD/PWRDN# or PWRGD/RESTART# GPIO configuration gives the user more control over power-up behavior. Holding the pin low, pauses the RC210xxA start-up sequence until the pin is asserted high. This pin should be held low from the very beginning of the power up sequence. The pin function is defined as follows:

- PWRGD means Power is Good (active high). Asserting PWRGD/PWRDN# or PWRGD/RESTART# high after all power rails are valid, tells the RC210xxA that power is good, power up completely and begin operation. The *first* high assertion of PWRGD/PWRDN# loads a new configuration into the device (selected by external pins if there are multiple configurations). Subsequent high assertions of PWRGD/PWRDN# return to the previously loaded configuration.
- PWRDN# means enter Power Down (active low). Asserting PWRGD/PWRDN# low puts (or keeps) the RC210xxA in a low power state, turning off as much internal logic as possible (including the APLL) to save the most power while keeping the power rails active. Returning from PWRDN# by asserting PWRGD/PWRDN# high resumes the previous operating state.
- RESTART# means Restart (active low). Asserting PWRGD/RESTART# low resets the RC210xxA and prepares it for a complete restart of entire power up sequence without having to remove the power supplies. Returning from RESTART# by asserting the PWRGD/RESTART# pin high loads a new configuration, which may or may not be different from the one used before RESTART# asserted low.

Figure 13 shows use of a PWRGD/PWRDN# or PWRGD/RESTART# input to hold the entire RC210xxA until all power supply rails reach 1.62V. The PWRGD/PWRDN# pin must be held low for at least t_{HOLD} after the last VDDO pin reaches 1.62V. It may be held longer. Using PWRGD/PWRDN# or PWRGD/RESTART# is recommended for applications where the VDDO power rails cannot be valid with the MAX $t_{VDDODLY}$ requirement in Figure 12. These functions isolate the RC210xxA from changes to power supply sequencing that may be induced by other devices in the system. Using the PWRGD/PWRDN# or PWRGD/RESTART# GPIO function isolates the RC210xxA from changes to power supply sequencing that may be induced by changes to other devices in the system.

There two items to note. First, the VDDA and VDD rails should still be powered before, or at the same time and the VDDO rails. The MIN $t_{VDDODLY}$ still applies. Use of PWRGD/PWRDN# or PWRGD/RESTART# allows delay of the power up sequence for any VDDO that cannot be valid within the MAX $t_{VDDODLY}$ requirement of Figure 12.

A configuration can contain PWRGD/PWRDN# or PWRGD/RESTART#, not both. If the power down state is not used, PWRGD/RESTART# is the preferred configuration, since it allows more flexibility with GPI/GPIO assignment.

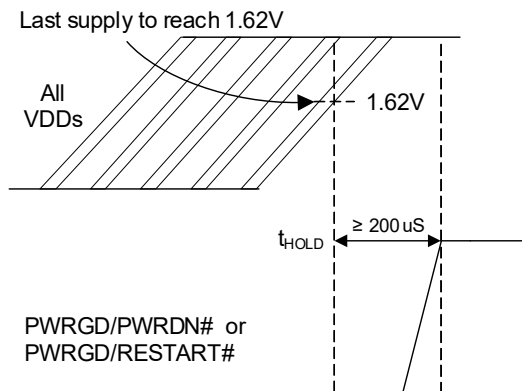


Figure 13. Power Supply Sequencing Recommendations – Power-Up Using PWRGD/PWRDN# or POR#

5. Thermal Information

5.1 VFQFPN ePad Thermal Release Path

In order to maximize both the removal of heat from the package and the electrical performance, a land pattern must be incorporated on the Printed Circuit Board (PCB) within the footprint of the package corresponding to the exposed metal pad or exposed heat slug on the package, as shown in Figure 14. The solderable area on the PCB, as defined by the solder mask, should be at least the same size/shape as the exposed pad/slug area on the package to maximize the thermal/electrical performance. Sufficient clearance should be designed on the PCB between the outer edges of the land pattern and the inner edges of pad pattern for the leads to avoid any shorts.

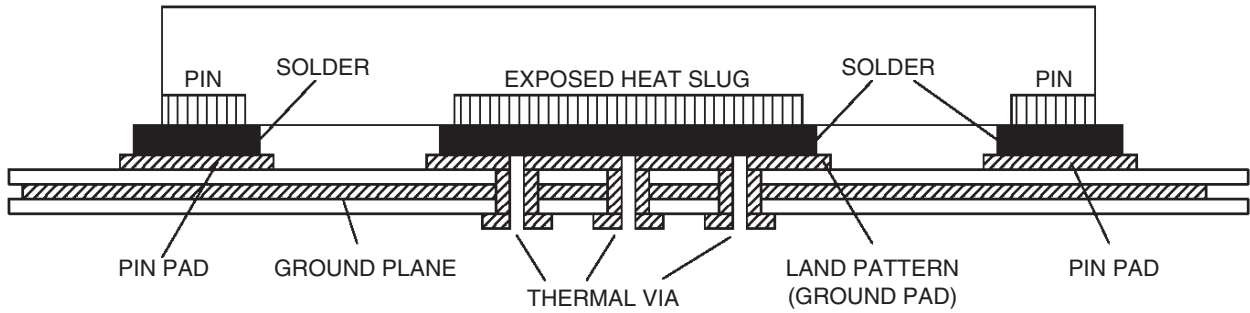


Figure 14. P.C. Assembly for Exposed Pad Thermal Release Path – Side View

While the land pattern on the PCB provides a means of heat transfer and electrical grounding from the package to the board through a solder joint, thermal vias are necessary to effectively conduct from the surface of the PCB to the ground plane(s). The land pattern must be connected to ground through these vias. The vias act as “heat pipes.” The number of vias (i.e., “heat pipes”) are application specific and dependent on the package power dissipation as well as electrical conductivity requirements. Thus, thermal and electrical analysis and/or testing are recommended to determine the minimum number needed.

Maximum thermal and electrical performance is achieved when an array of vias is incorporated in the land pattern. It is recommended to use as many vias connected to ground as possible. It is also recommended that the via diameter should be 12 to 13mils (0.30 to 0.33 mm) with 1oz copper via barrel plating. This is desirable to avoid any solder wicking inside the via during the soldering process which may result in voids in solder between the exposed pad/slug and the thermal land. Precautions should be taken to eliminate any solder voids between the exposed heat slug and the land pattern. Note: These recommendations are to be used as a guideline only. For further information, please refer to the Application Note on the Surface Mount Assembly of Amkor’s Thermally/Electrically Enhance Lead frame Base Package, Amkor Technology.

5.2 Thermal Characteristics

Table 44. Thermal Characteristics (48-pin with External Crystal) [a]

Symbol	Parameter	Value	Unit
θ_{JC}	Theta J _C . Junction to Device Case Thermal Coefficient [b]	20.1	°C/W
θ_{JB}	Theta J _B . Junction to Board Thermal Coefficient [b]	1.9	
θ_{JA}	Junction to Ambient Air Thermal Coefficient (still air)	25.8	
	Junction to Ambient Air Thermal Coefficient 1 m/s air flow	21.5	
	Junction to Ambient Air Thermal Coefficient 2 m/s air flow	18.8	
-	Junction to Ambient Air Thermal Coefficient 3 m/s air flow	17.9	
-	Moisture Sensitivity Rating (Per J-STD-020)	3	N/A

a. JEDEC Standard PCB (101.6 x 114.5 x 1.6 mm) with two ground and two voltage planes.

b. Assumes ePad is connected to a ground plane using a grid of 25 thermal vias.

Table 45. Thermal Characteristics (40-pin with External Crystal) [a]

Symbol	Parameter	Value	Unit
θ_{JC}	Theta J_C . Junction to Device Case Thermal Coefficient [b]	35.7	°C/W
θ_{JB}	Theta J_B . Junction to Board Thermal Coefficient [b]	1.9	
θ_{JA}	Junction to Ambient Air Thermal Coefficient (still air)	28.9	
	Junction to Ambient Air Thermal Coefficient 1 m/s air flow	25.6	
	Junction to Ambient Air Thermal Coefficient 2 m/s air flow	23	
-	Moisture Sensitivity Rating (Per J-STD-020)	3	N/A

a. JEDEC Standard PCB (101.6 x 114.5 x 1.6 mm) with two ground and two voltage planes.

b. Assumes ePad is connected to a ground plane using a grid of 16 thermal vias.

Table 46. Thermal Characteristics (48-pin with Internal Crystal) [a]

Symbol	Parameter	Value	Unit
θ_{JC}	Theta J_C . Junction to Device Case Thermal Coefficient [b]	24.5	°C/W
θ_{JB}	Theta J_B . Junction to Board Thermal Coefficient [b]	15	
θ_{JA}	Junction to Ambient Air Thermal Coefficient (still air)	37.3	
	Junction to Ambient Air Thermal Coefficient 1 m/s air flow	35	
	Junction to Ambient Air Thermal Coefficient 2 m/s air flow	33	
	Junction to Ambient Air Thermal Coefficient 3 m/s air flow	32	
-	Moisture Sensitivity Rating (Per J-STD-020)	3	N/A

a. JEDEC Standard PCB (101.6 x 114.5 x 1.6 mm) with two ground and two voltage planes.

b. Assumes ePad is connected to a ground plane using a grid of 25 thermal vias.

Table 47. Thermal Characteristics (40-pin with Internal Crystal) [a]

Symbol	Parameter	Value	Unit
θ_{JC}	Theta J_C . Junction to Device Case Thermal Coefficient [b]	35	°C/W
θ_{JB}	Theta J_B . Junction to Board Thermal Coefficient [b]	52.4	
θ_{JA}	Junction to Ambient Air Thermal Coefficient (still air)	70.7	
	Junction to Ambient Air Thermal Coefficient 1 m/s air flow	65.9	
	Junction to Ambient Air Thermal Coefficient 2 m/s air flow	62.5	
	Junction to Ambient Air Thermal Coefficient 3 m/s air flow	61	
-	Moisture Sensitivity Rating (Per J-STD-020)	3	N/A

a. JEDEC Standard PCB (101.6 x 114.5 x 1.6 mm) with two ground and two voltage planes.

b. Assumes ePad is connected to a ground plane using a grid of 16 thermal vias.

Table 48. Thermal Characteristics (32-pin with Internal Crystal) [a]

Symbol	Parameter	Value	Unit
θ_{JC}	Theta J _C . Junction to Device Case Thermal Coefficient [b]	61.2	°C/W
θ_{JB}	Theta J _B . Junction to Board Thermal Coefficient [b]	7.4	
θ_{JA}	Junction to Ambient Air Thermal Coefficient (still air)	40.3	
	Junction to Ambient Air Thermal Coefficient 1 m/s air flow	37.4	
	Junction to Ambient Air Thermal Coefficient 2 m/s air flow	34.8	
	Junction to Ambient Air Thermal Coefficient 3 m/s air flow	33	
-	Moisture Sensitivity Rating (Per J-STD-020)	3	N/A

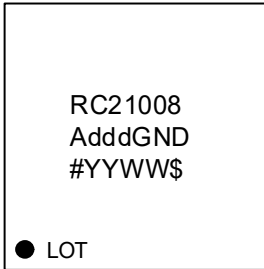
a. JEDEC Standard PCB (101.6 x 114.5 x 1.6 mm) with two ground and two voltage planes.

b. Assumes ePad is connected to a ground plane using a grid of 4 thermal vias.

6. Package Outline Drawings

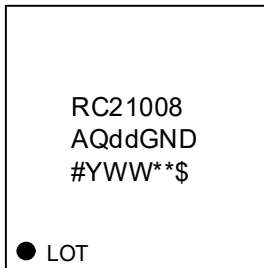
The package outline drawings are located at the end of this document and are accessible from the Renesas website. The package information is the most current data available and is subject to change without revision of this document.

7. Marking Diagrams [1]



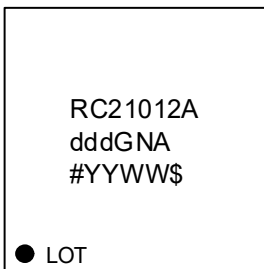
RC21008Addd

- Lines 1 and 2: part number.
 - “ddd” indicates preprogrammed device custom configuration dash code.
- Line 3:
 - “#” indicates the stepping number.
 - “YYWW” indicates the last two digits of the year and work week the part was assembled.
 - “\$” indicates the mark code.



RC21008AQdd

- Lines 1 and 2: part number.
 - “dd” indicates preprogrammed device custom configuration dash code.
- Line 3:
 - “#” indicates the stepping number.
 - “YWW” indicates the last two digits of the year and work week the part was assembled.
 - “**” indicates the lot sequence.
 - “\$” indicates the mark code.



RC21012Addd

- Lines 1 and 2: part number.
 - “ddd” indicates preprogrammed device custom configuration dash code.
- Line 3:
 - “#” indicates the stepping number.
 - “YYWW” indicates the last two digits of the year and work week the part was assembled.
 - “\$” indicates the mark code.

1. The use of “000” / “001” or “00” / “01” for “ddd” and “dd” in the marking diagrams denotes unprogrammed parts.

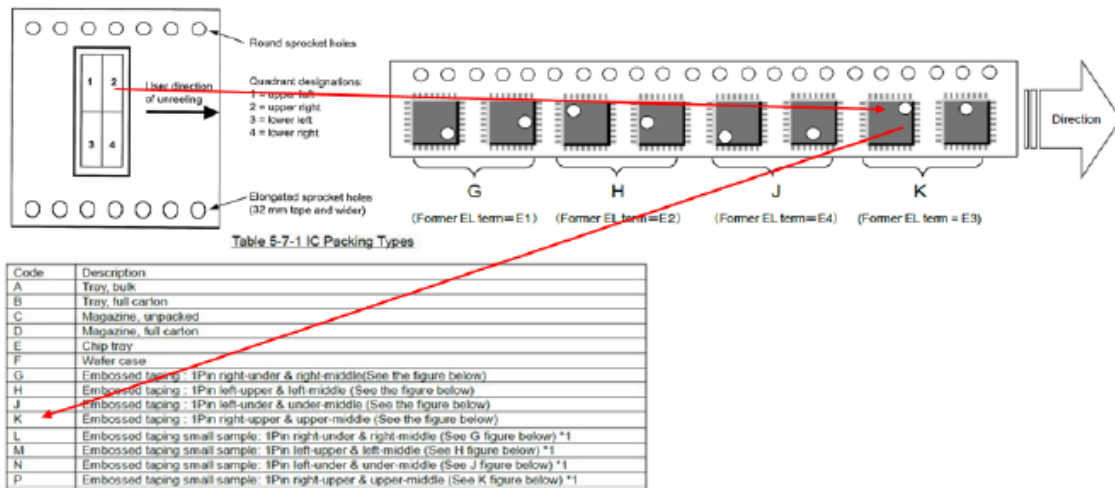


Figure 15. Pin 1 Orientation in Tape and Reel Packaging

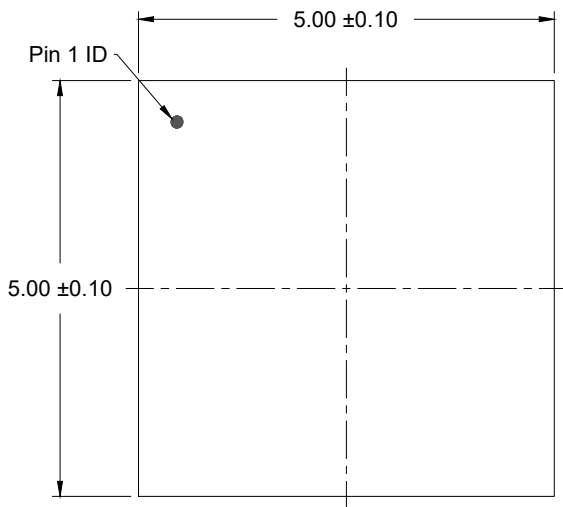
8. Ordering Information

Part Number [a]	Description	Carrier Type	Pkg. Description	Temp. Range		
RC21008AQ00GL2#BD0	8-output un-programmed part with internal crystal. I2C address is 0x09.	Tray	5 × 5 × 1.7 mm, 40-LGA	-40° to +85°C		
RC21008AQ00GL2#KD0		Tape and Reel, Pin 1 Orientation: EIA-481-D				
RC21008AQ01GL2#BD0	8-output un-programmed part with internal crystal for use with external I2C EEPROM. I2C address is 0x09 after I2C EEPROM is loaded.	Tray				
RC21008AQ01GL2#KD0		Tape and Reel, Pin 1 Orientation: EIA-481-D				
RC21008AQddGL2#BD0 [b]	8-output pre-programmed part with internal crystal	Tray				
RC21008AQddGL2#KD0 [b]		Tape and Reel, Pin 1 Orientation: EIA-481-D				
RC21008A000GND#BB0	8-output un-programmed part with external crystal. I2C address is 0x09.	Tray			5 × 5 × 0.9 mm, 40-VFQFPN	-40° to +85°C
RC21008A000GND#KB0		Tape and Reel, Pin 1 Orientation: EIA-481-D				
RC21008A001GND#BB0	8-output un-programmed part with external crystal for use with external I2C EEPROM. I2C address is 0x09 after I2C EEPROM is loaded.	Tray				
RC21008A001GND#KB0		Tape and Reel, Pin 1 Orientation: EIA-481-D				
RC21008AdddGND#BB0 [b]	8-output pre-programmed part with external crystal.	Tray				
RC21008AdddGND#KB0 [b]		Tape and Reel, Pin 1 Orientation: EIA-481-D				
RC21012A000GNA#BB0	12-output un-programmed part with external crystal. I2C address is 0x09.	Tray	6 × 6 × 0.9 mm, 48-VFQFPN	-40° to +85°C		
RC21012A000GNA#KB0		Tape and Reel, Pin 1 Orientation: EIA-481-D				
RC21012AdddGNA#BB0 [b]	12-output pre-programmed part with external crystal	Tray				
RC21012AdddGNA#KB0 [b]		Tape and Reel, Pin 1 Orientation: EIA-481-D				

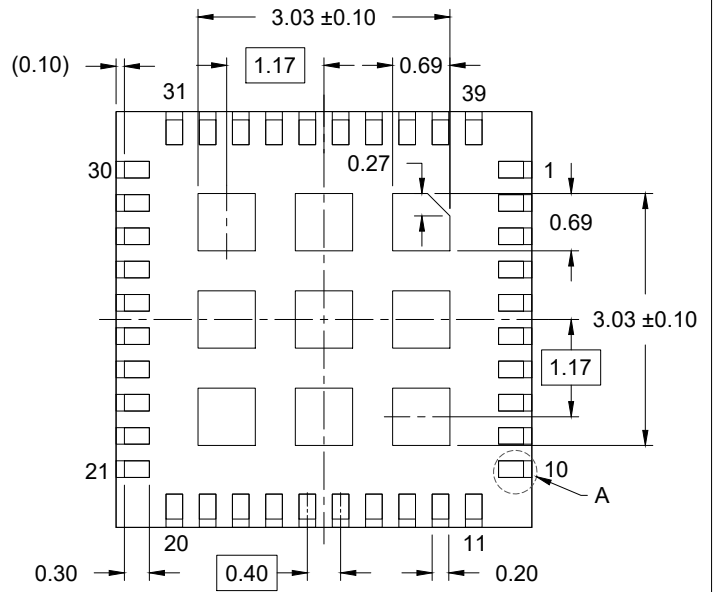
- The "00", "000", "01", and "001" dash codes support for any mix of 1.8V and 3.3V power supplies. For configurations that require 2.5V power supplies, please contact Renesas.
- Replace "ddd" or "dd" with the pre-programmed configuration code provided by Renesas in response to a custom configuration request.

9. Revision History

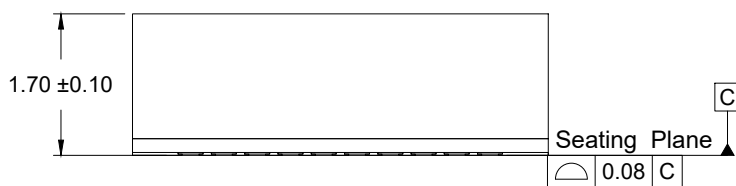
Revision	Date	Description
1.09	Aug 15, 2023	<ul style="list-style-type: none"> Updated Power Sequencing Considerations
1.08	May 31, 2023	<ul style="list-style-type: none"> Changed t_{HOLD} to 200uS from 200mS in Figure 13.
1.07	May 26, 2023	<ul style="list-style-type: none"> Updated RC21008AQdd marking diagram and notes in Marking Diagrams.
1.06	May 8, 2023	<ul style="list-style-type: none"> Updated the device block diagram in Figure 1
1.05	Nov 22, 2022	<ul style="list-style-type: none"> Added LVCMOS AC/DC characteristics tables (see Table 21 to Table 23). Completed an extensive update to Power Considerations, specifically power sequencing considerations Clarified Overdriving the XTAL Interface
1.04	Oct 12, 2022	<ul style="list-style-type: none"> Changed the minimum value for t_{PJ} in Table 6 Removed references to RC21005A pending final qualification. For the latest documentation on this device, please contact Renesas. Completed other minor changes
1.03	Sep 19, 2022	<ul style="list-style-type: none"> Updated the Marking Diagrams and Ordering Information, added 01 and 001 dash codes to indicate configurations that load from external I2C EEPROMs. Updated footnotes. Updated Power Sequencing Considerations
1.02	Aug 31, 2022	<ul style="list-style-type: none"> Completed minor updates to various Electrical Characteristics values
1.01	Aug 9, 2022	<ul style="list-style-type: none"> Corrected a typo in Pin Assignments – RCxx012A Completed minor updates to various Electrical Characteristics values Completed other minor changes
1.00	Jul 22, 2022	Initial release.



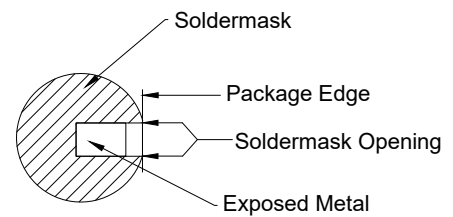
TOP VIEW



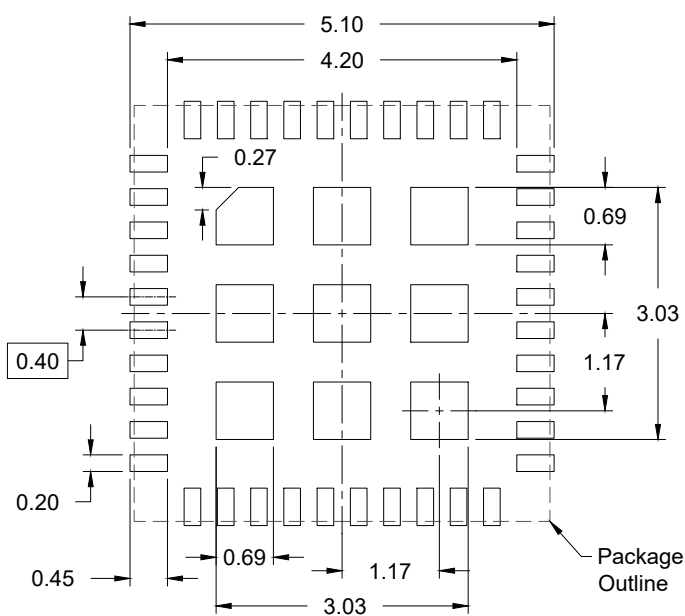
BOTTOM VIEW



SIDE VIEW



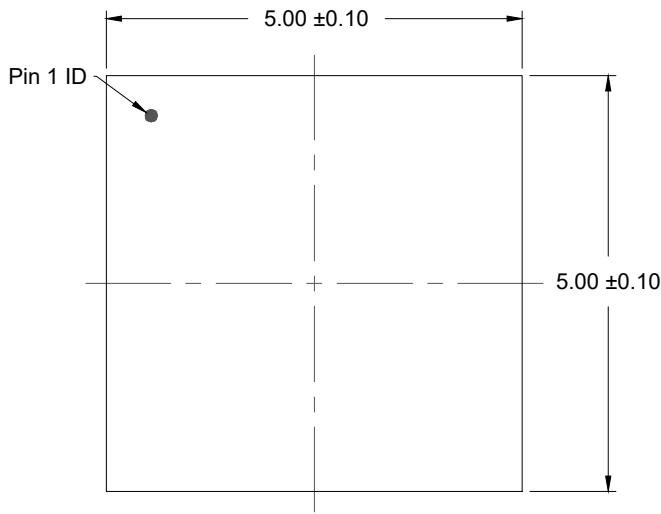
Detail A



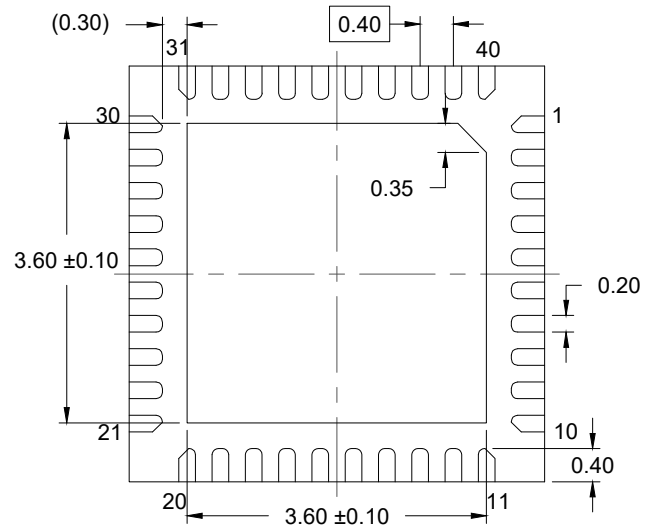
RECOMMENDED LAND PATTERN
(PCB Top View, NSMD Design)

NOTES:

1. JEDEC compatible.
2. All dimensions are in mm and angles are in degrees.
3. Use ± 0.05 mm for the non-toleranced dimensions.
4. Numbers in () are for references only.



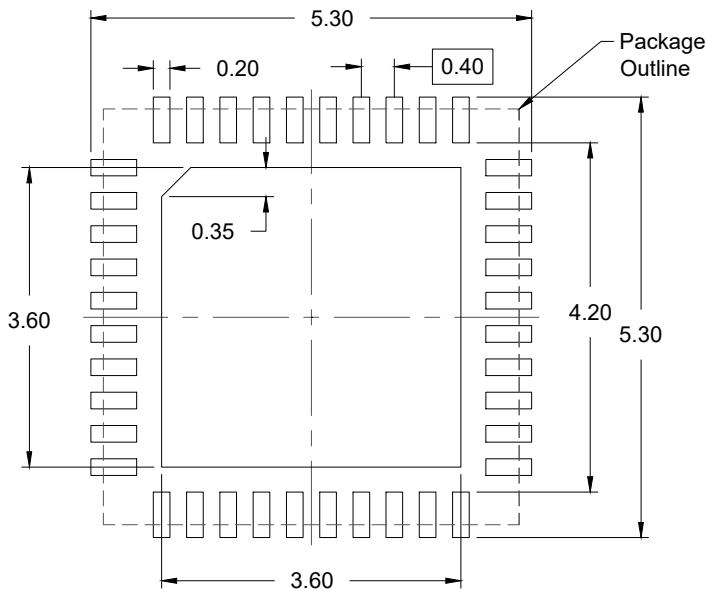
TOP VIEW



BOTTOM VIEW



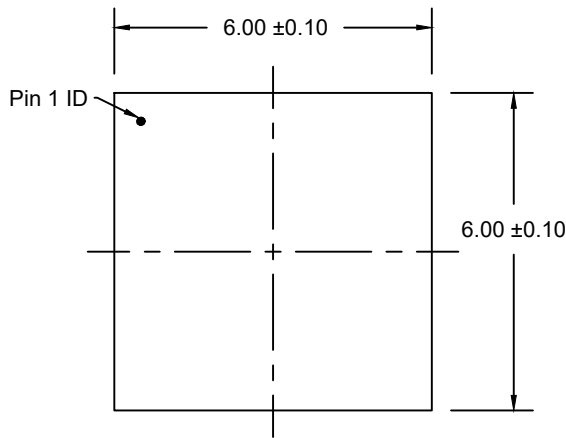
SIDE VIEW



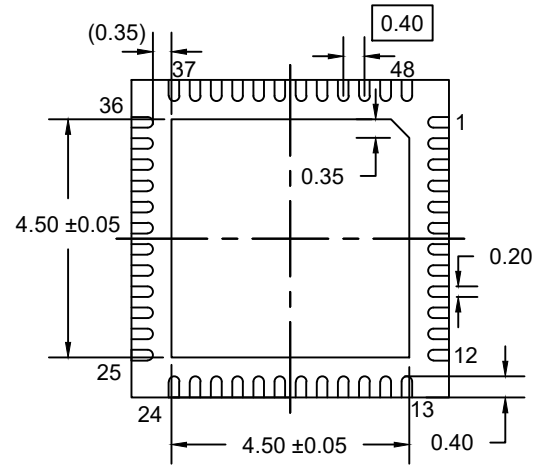
RECOMMENDED LAND PATTERN
(PCB Top View, NSMD Design)

NOTES:

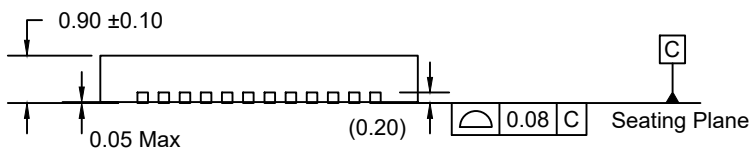
1. JEDEC compatible.
2. All dimensions are in mm and angles are in degrees.
3. Use ± 0.05 mm for the non-toleranced dimensions.
4. Numbers in () are for references only.



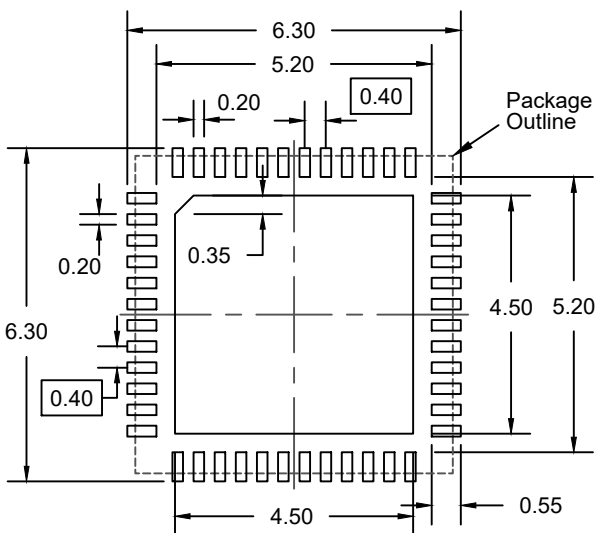
TOP VIEW



BOTTOM VIEW



SIDE VIEW



RECOMMENDED LAND PATTERN
(PCB Top View, NSMD Design)

NOTES:

1. JEDEC compatible.
2. All dimensions are in mm and angles are in degrees.
3. Use ± 0.50 mm for the non-toleranced dimensions.
4. Numbers in () are for references only.

IMPORTANT NOTICE AND DISCLAIMER

RENESAS ELECTRONICS CORPORATION AND ITS SUBSIDIARIES (“RENESAS”) PROVIDES TECHNICAL SPECIFICATIONS AND RELIABILITY DATA (INCLUDING DATASHEETS), DESIGN RESOURCES (INCLUDING REFERENCE DESIGNS), APPLICATION OR OTHER DESIGN ADVICE, WEB TOOLS, SAFETY INFORMATION, AND OTHER RESOURCES “AS IS” AND WITH ALL FAULTS, AND DISCLAIMS ALL WARRANTIES, EXPRESS OR IMPLIED, INCLUDING, WITHOUT LIMITATION, ANY IMPLIED WARRANTIES OF MERCHANTABILITY, FITNESS FOR A PARTICULAR PURPOSE, OR NON-INFRINGEMENT OF THIRD PARTY INTELLECTUAL PROPERTY RIGHTS.

These resources are intended for developers skilled in the art designing with Renesas products. You are solely responsible for (1) selecting the appropriate products for your application, (2) designing, validating, and testing your application, and (3) ensuring your application meets applicable standards, and any other safety, security, or other requirements. These resources are subject to change without notice. Renesas grants you permission to use these resources only for development of an application that uses Renesas products. Other reproduction or use of these resources is strictly prohibited. No license is granted to any other Renesas intellectual property or to any third party intellectual property. Renesas disclaims responsibility for, and you will fully indemnify Renesas and its representatives against, any claims, damages, costs, losses, or liabilities arising out of your use of these resources. Renesas' products are provided only subject to Renesas' Terms and Conditions of Sale or other applicable terms agreed to in writing. No use of any Renesas resources expands or otherwise alters any applicable warranties or warranty disclaimers for these products.

(Disclaimer Rev.1.0 Mar 2020)

Corporate Headquarters

TOYOSU FORESIA, 3-2-24 Toyosu,
Koto-ku, Tokyo 135-0061, Japan
www.renesas.com

Contact Information

For further information on a product, technology, the most up-to-date version of a document, or your nearest sales office, please visit:
www.renesas.com/contact/

Trademarks

Renesas and the Renesas logo are trademarks of Renesas Electronics Corporation. All trademarks and registered trademarks are the property of their respective owners.

Mouser Electronics

Authorized Distributor

Click to View Pricing, Inventory, Delivery & Lifecycle Information:

[Renesas Electronics:](#)

[RC21008AQ50GL2#BD0](#) [RC21012A001GNA#BB0](#) [RC21005AQ00GL2#BB0](#) [RC21008A001GND#BB0](#)

Looking for pricing, stock, or lifecycle information?

Click below to explore more details on WIN SOURCE:

- ⊖ [View RC21012A001GNA#BB0 on WIN SOURCE](#)
- ⊖ [Renesas Electronics America Information](#)

Optimize Your Supply Chain with WIN SOURCE Solutions

- ✓ Global Sourcing Solution
- ✓ Obsolete Management
- ✓ Cost Control Management
- ✓ Shortage Management
- ✓ Alternative Solution
- ✓ Excess Inventory Management