



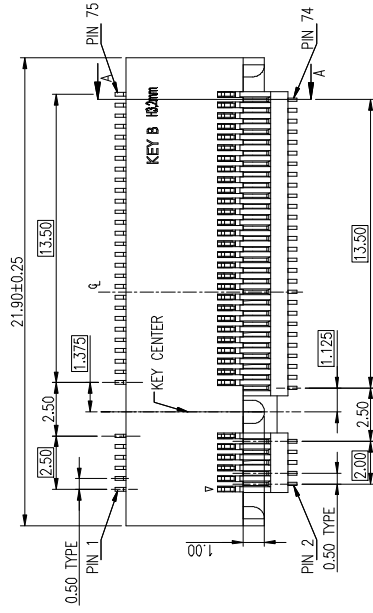
**THE DATASHEET OF
10125101-A30RLF**



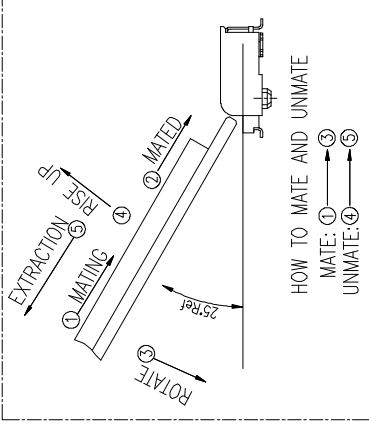
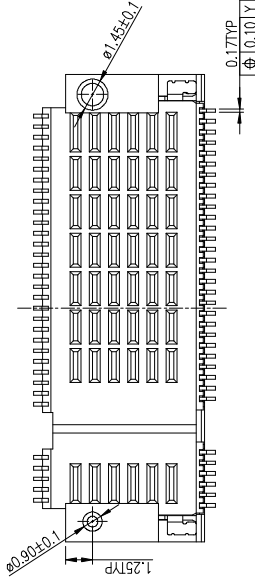
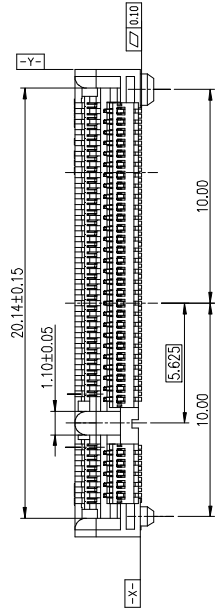
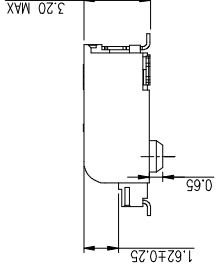
PART NUMBER
10125101-AXXR1F

- NOTES:
- MATERIALS:
 - HOUSING
 - CONTACTS
 - NAIPLS
 - FINISH:
 - CONTACTS
 - 50% Au
 - 2% Au
 - MATING
 - 2.2 NAIPLS
 - 50% Au
 - 2% Au
 - GENERAL:
 - RATING
 - PRODUCTION
 - INSULATION
 - DISSIPATION
 - CONTACTS
 - MATING
 - DURABILITY
 - PRODUCTION
 - FOR REVISION
 - THE PRODUCTION
 - P/N: 10125101-AXXR1F

HEIGHT - A=3.2



SECTION A-A
SCALE: 1:1

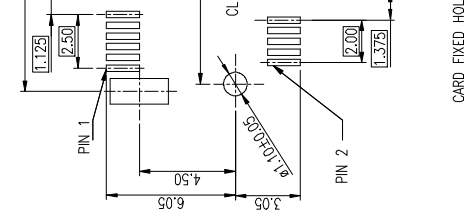
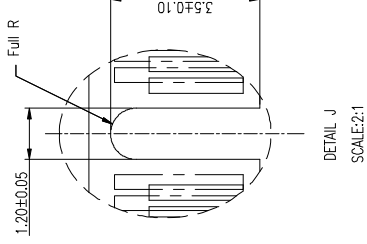
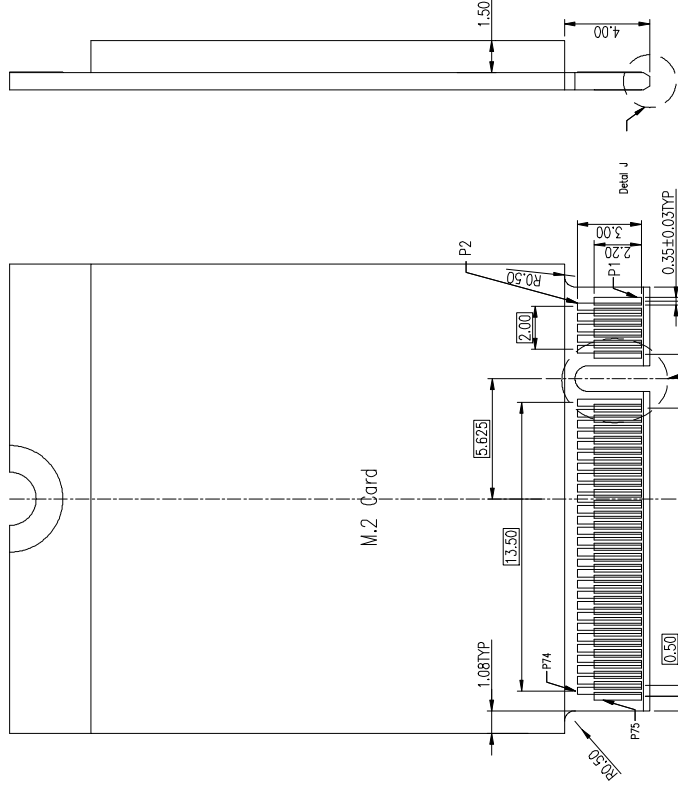
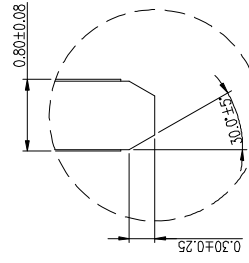


mat'l. code		surface	tolerances unless otherwise specified
ltr	ecn no	dr	date
A	BF	2013-05-02	.X
B	BF	2014-01-03	angles
C	ELX-1-19318	TAI	2014-11-06
			X ± .2°
		dr	BEER FU
		engr	BEER FU
		chr	BEER FU
		appd	BEER FU
sheet	revision	C	C
index	sheet	1	2
		3	

form: A4mmXLC

PART NUMBER

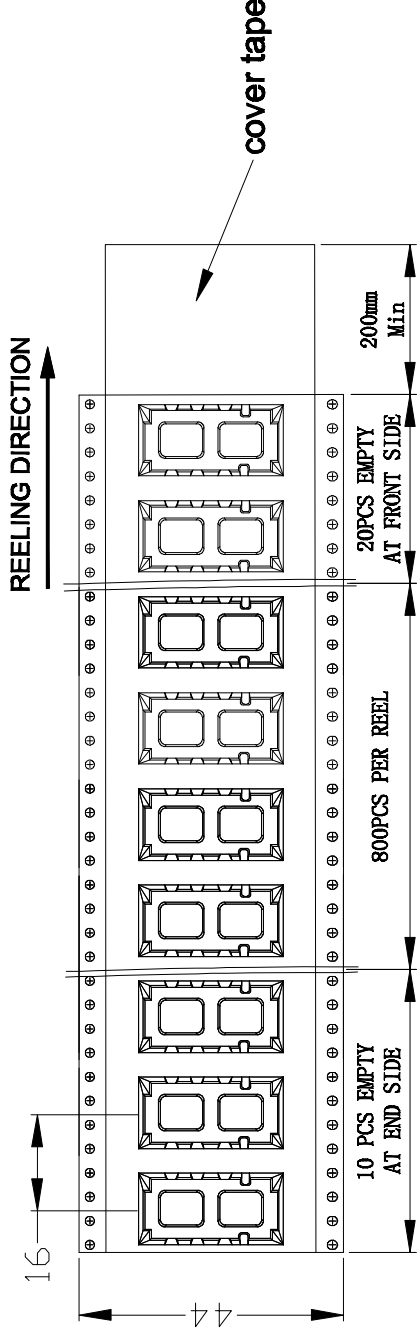
10125101-AXXRLF



RECOMMENDED SINGLE CARD LAYOUT
TOLERANCE ±0.05(TOP VIEW)

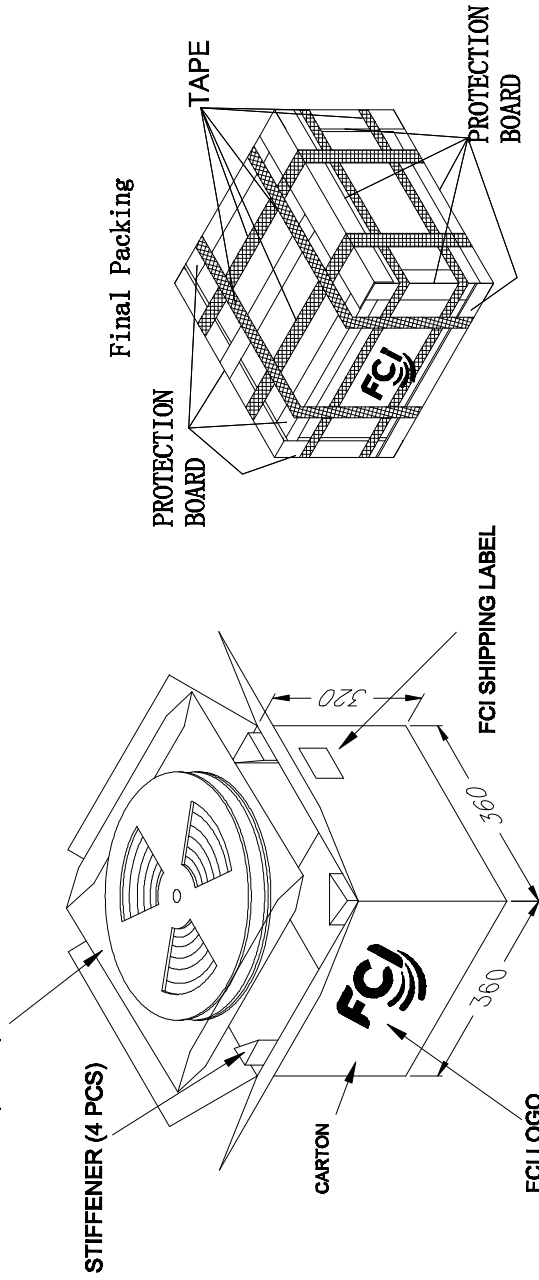
sheet	revision	C	C	C	C
index	sheet	1	2	3	

PACKING SPECIFICATION



A

PLASTIC BAGS (2 PCS), 3 REELS/BAG, TOTAL 6 REELS/CARTON



FCI SHIPPING

RE

PART NUMBER	101
PCB/REEL	
REEL/CARTON	
PCB/CARTON	
NET	
GROSS	
PACKING QTY	
WEIGHT (kg)	

sheet index	revision sheet	C	C	C
		1	2	3

form: A4mmXLC

1



2

PDS: Rev

B

Looking for pricing, stock, or lifecycle information?

Click below to explore more details on WIN SOURCE:

-  [View 10125101-A30RLF on WIN SOURCE](#)
-  [Amphenol FCI Information](#)

Optimize Your Supply Chain with WIN SOURCE Solutions

-  Global Sourcing Solution
-  Obsolete Management
-  Cost Control Management
-  Shortage Management
-  Alternative Solution
-  Excess Inventory Management