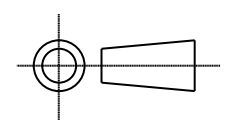


ISS.	DATE	E.C.N.	DESCRIPTION
1	17-Aug-06		FIRST ISSUE

© 2008 CARCLO
ALL DIMENSIONS IN mm



CARCLO TECHNICAL PLASTICS (SLOUGH)
111 BUCKINGHAM AVE, SLOUGH
SL1 4PF, ENGLAND
TEL: +44 1753 575011 FAX: +44 1753 811359
e-mail: design@carclo-optics.com}

CUSTOMER DRAWING

- NOTES:
1. MATERIAL - UV STABILISED POLYCARBONATE
2. INCLUSIONS SPECIFIED TO BS4301

GENERAL TOLERANCES (UNLESS STATED)

LINEAR	ANGULAR
X +/- 0.25	X +/- 1°
X.X +/- 0.1	X.X +/- 0.5°
X.XX +/- 0.05	X.XX +/- 0.1°

CUSTOMER

CARCLO

TITLE

MEDIUM CIRCULAR 0.8MM
OFFSET FOCUS 20MM DIA OPTIC

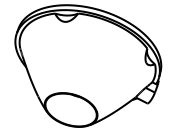
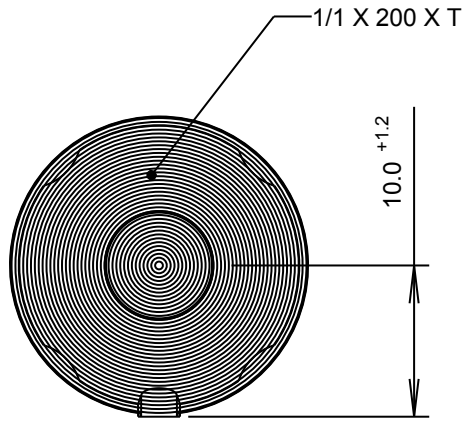
DRAWN **AJD** DATE **17-Aug-06**

CHK'D DATE

APP'D DATE

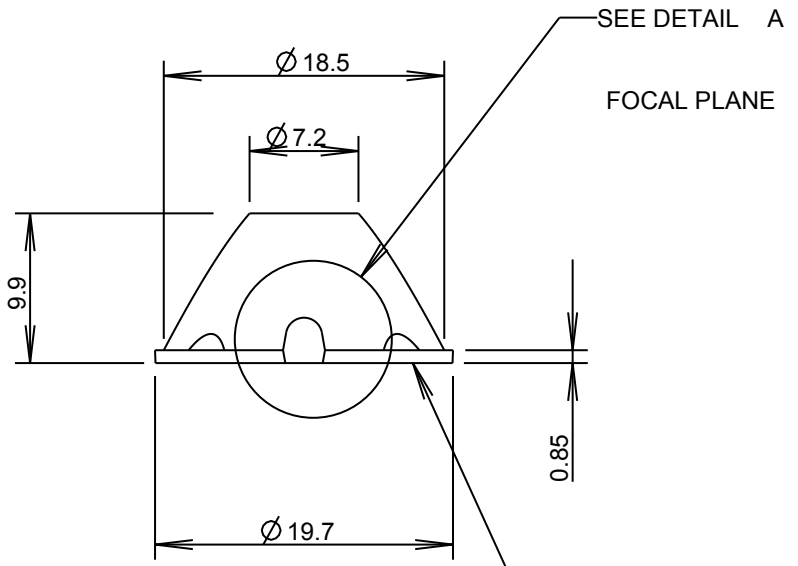
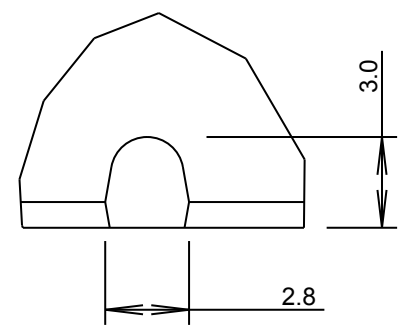
SCALE **2:1** CARCLO PART No. **10208**

SIZE **A4** CARCLO DRG. No. **60440** SHEET **1 OF 1**



3D VIEW
SCALE 1:1



DETAIL A
SCALE 4:1



CIRCULAR RIPPLE SURFACE

Looking for pricing, stock, or lifecycle information?

Click below to explore more details on WIN SOURCE:

-  [View 10208 on WIN SOURCE](#)
-  [Carclo Technical Plastics](#) Information

Optimize Your Supply Chain with WIN SOURCE Solutions

-  Global Sourcing Solution
-  Obsolete Management
-  Cost Control Management
-  Shortage Management
-  Alternative Solution
-  Excess Inventory Management