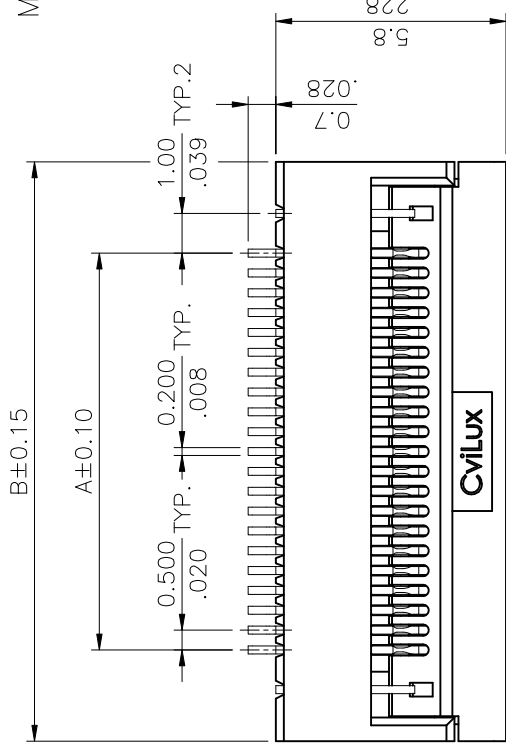


B ± 0.15

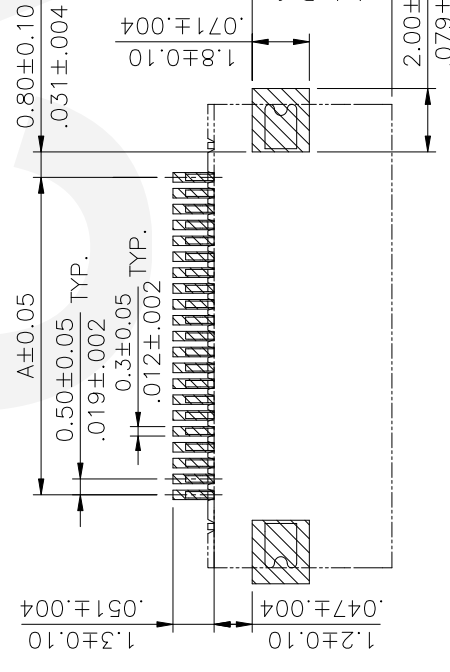
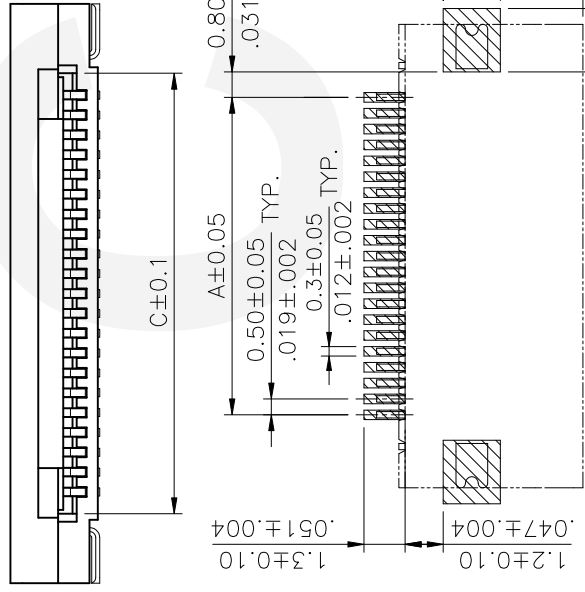
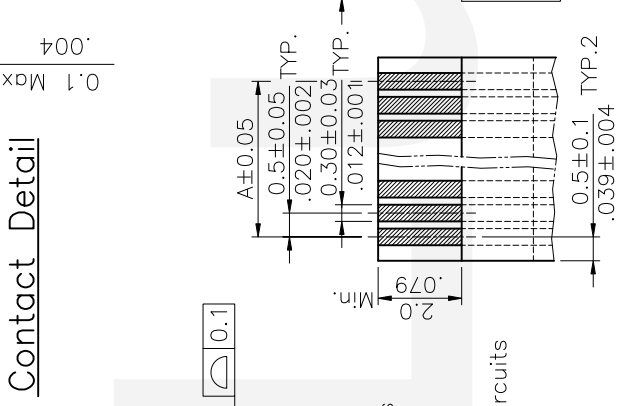
Material :

- \* Body : Nylon 6T With 30% GF. UL 94V-0, Color Nature
- \* Slider : Nylon 6T With 30% GF. UL 94V-0, Color Black
- \* Contact : Phosphor Bronze
- \* Fixed tab : Brass with Tin Plated



CvLux

Contact Detail



DIM.A = 0.50 x No. of Spaces  
 DIM.B = DIM.A + 4.6  
 DIM.C = DIM.A + 1.1

\* Available in 5 through 65 circuits

Accommodated FFC

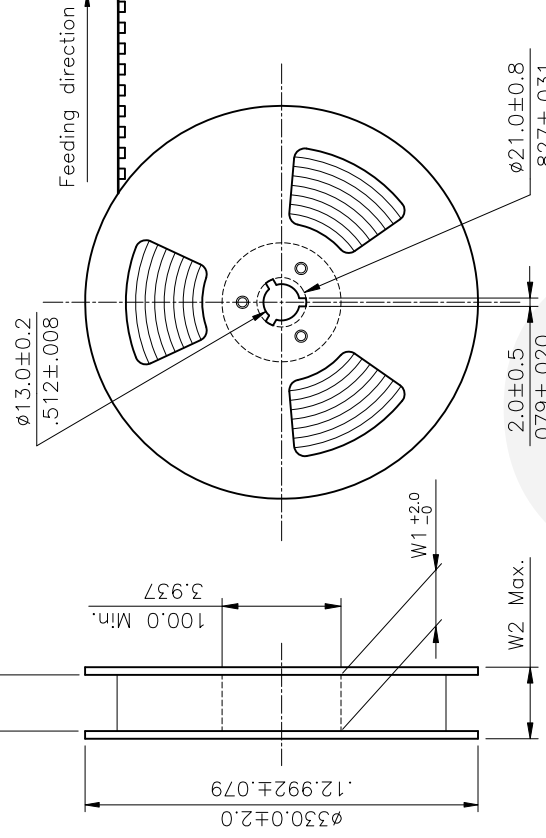
Recommended P.C. Board Layout

Halogen-

4					UNIT: mm / inch	TITLE: 0.50mm(.020") ZIF FFC ONE-TOUCH CONNECTOR
3	Karen	3/14-22'	ECNT122032/ECRB122004	Drawn By: Karen	DATE: 3/31-22'	MATERIAL: FINISH:
2	Sandy	2/16-16'	ECNT116028/ECRB116002	Engineer: Sun	DATE: 3/31-22'	
1	Enya	11/06-12'	ECNT2272-0/ECR12080-1	Checked By: Easley	DATE: 4/1-22'	
SYM	NAME	DATE	REVISIONS	APPROVED BY: Easley	DATE: 4/1-22'	

X	± 0.15/006	X' ± 1"
.XX	± 0.10/004	.X' ±
.XXX	± 0.05/002	.XX' ±

W3 +0.5  
-0.5



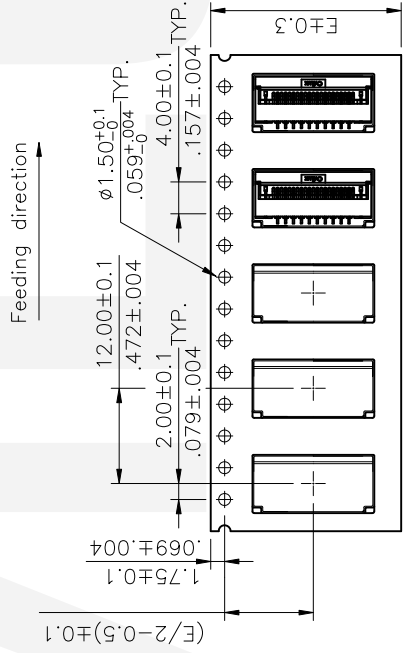
NOTES:

1. 10 sprocket hole pitch curve
2. Carrier camber is within 1
3. Material :Transparent Anti-st
4. All dimensions meet EIA-48
5. Thickness : 0.35±0.05mm.
6. Component load per 13" Re

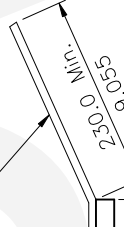
1

Circuits	Dimension		
	E	F	W1
5-9	16.0(.630)	—	16.5(.65)
10-25	24.0(.945)	—	24.5(.96)
26-34	32.0(1.260)	28.40(1.118)	32.5(1.2)
35-57	44.0(1.732)	40.40(1.591)	44.5(1.7)
58-65	56.0(2.205)	52.50(2.067)	56.5(2.2)

3



Cover tape leader area



Connector Packaging Portion

WIDTH : 16.24 mm Carrier



4					UNIT: mm / inch	TITLE: 0.50mm(.020") ZIF FI ONE-TOUCH CONNECTOR
3	Karen	3/14-22'	ECNT122032/ECRB122004	ECNT122032/ECRB122004	TOLERANCE UNLESS OTHERWISE SPECIFIED	MATERIAL:
2	Sandy	2/16-16'	ECNT116028/ECRB16002	ECNT116028/ECRB16002		
1	Enya	11/06-12'	ECNT12272-0/ECR12080-1	ECNT12272-0/ECR12080-1	X ± X' ± I'	FINISH:
SYM	NAME	DATE	REVISIONS	APPROVED BY:		

MATERIAL:

FINISH:

## Looking for pricing, stock, or lifecycle information?

Click below to explore more details on WIN SOURCE:

-  [View CF25501D0R0-05-NH on WIN SOURCE](#)
-  [Cvilux USA Information](#)

## Optimize Your Supply Chain with WIN SOURCE Solutions

-  Global Sourcing Solution
-  Obsolete Management
-  Cost Control Management
-  Shortage Management
-  Alternative Solution
-  Excess Inventory Management