

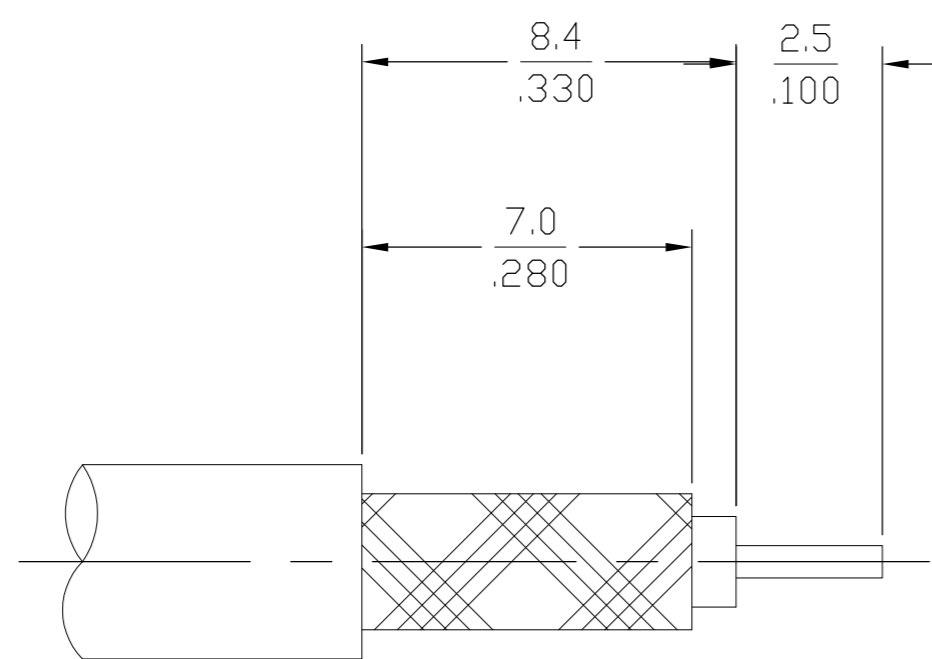
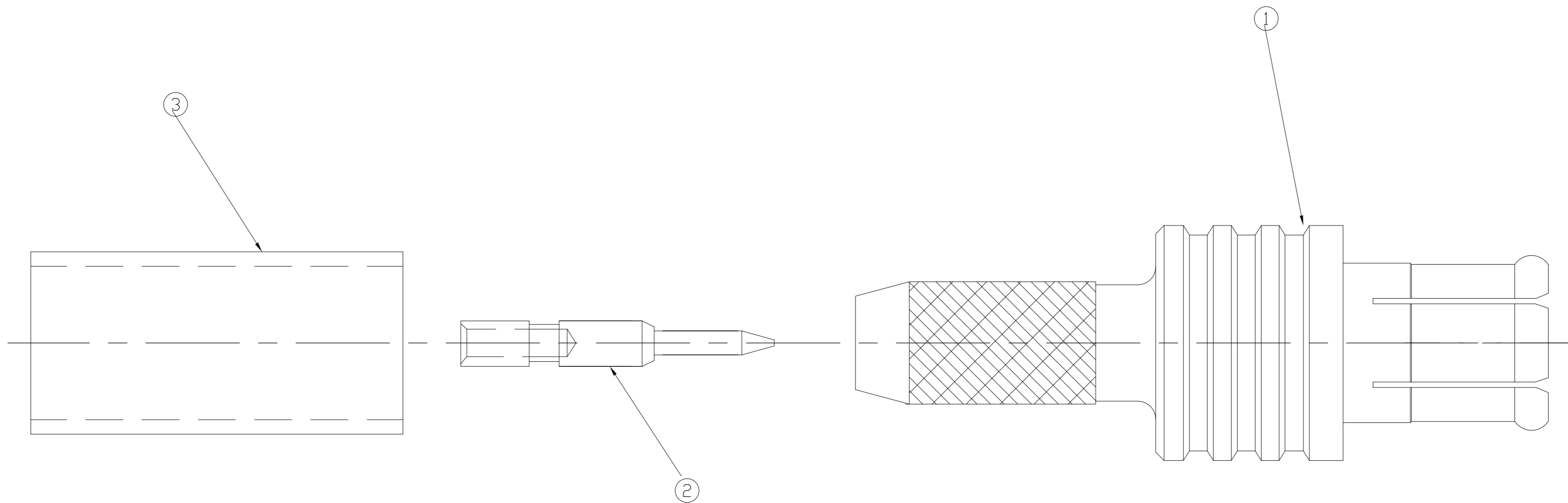


**THE DATASHEET OF**  
**1060875-2**



THIS DRAWING IS UNPUBLISHED. RELEASED FOR PUBLICATION  
 © COPYRIGHT BY TYCO ELECTRONICS CORPORATION. ALL RIGHTS RESERVED.

LOC		DIST		REVISIONS			
AJ	00	P	LTR	DESCRIPTION	DATE	DWN	APVD
		C		REV PER ECO 08-007172	26MAR2008	DW	JL



RECOMMENDED STRIP LENGTH

RD316/U	3-413889-2	1408060-2	1408063-1	1060875-2
RD316/U	2-413889-7	1408060-2	1408063-2	1060875-1
CABLE SIZE	FERRULE ③ QTY=1	CONTACT ② QTY=1	PLUG ASSEMBLY ① QTY=1	PART NUMBER

THIS DRAWING IS A CONTROLLED DOCUMENT.		DWN	05APR2007	
DIMENSIONS: INCHES		CHK	-	
TOLERANCES UNLESS OTHERWISE SPECIFIED:		APVD	-	
0 PLC ± -		PRODUCT SPEC	-	
1 PLC ± -		APPLICATION SPEC	-	
2 PLC ± -		408-10131	SIZE	A2
3 PLC ± -		WEIGHT	CAGE CODE	00779
4 PLC ± -		FINISH	DRAWING NO	C=1060875
ANGLES ± -		MATERIAL	RESTRICTED TO	-
-		CUSTOMER DRAWING	SCALE	10:1
-			SHEET	1 of 1
			REV	C

**Tyco Electronics** Tyco Electronics Corporation  
Harrisburg, PA 17105-3608

MCX CABLE PLUG,  
CRIMP ATTACHMENT

## Looking for pricing, stock, or lifecycle information?

Click below to explore more details on WIN SOURCE:

 [View 1060875-2 on WIN SOURCE](#)

 [TE Connectivity](#) Information

## Optimize Your Supply Chain with WIN SOURCE Solutions

-  Global Sourcing Solution
-  Obsolete Management
-  Cost Control Management
-  Shortage Management
-  Alternative Solution
-  Excess Inventory Management