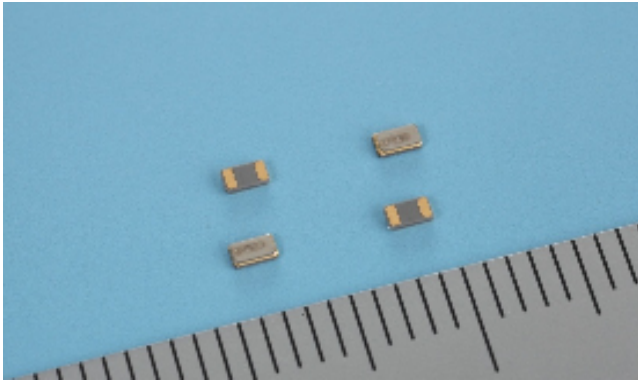




# THE DATASHEET OF SC20S-7PF20PPM



# SC-20S



## Features

- Thin type (0.6mm)
- Suitable for high density surface mounting
- Excellent shock and heat resistance
- Complete Pb-free
- Complies with EU RoHS directive
- A crystal resonator processed by high reliable photolithographic technology inside

## Applications

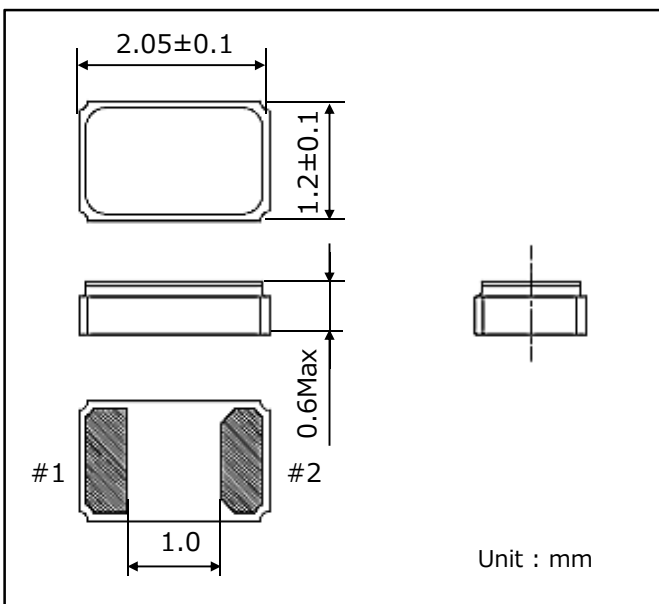
Mobile Phone, Wearable, Module, Sub-clock function for a variety of Micro-computer etc.

(Temperature: 25±2°C, DL;0.1μW)

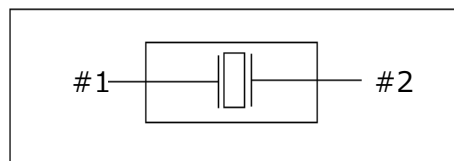
## Standard Specifications

Item	Symbol	Specifications	Conditions Note
Nominal Frequency	f_nom	32.768kHz	
Frequency Tolerance	f_tol	±20×10 <sup>-6</sup>	Please specify
Turnover Temperature	Ti	+25±5°C	
Parabolic Coefficient	B	(-0.030±10%)×10 <sup>-6</sup> /°C <sup>2</sup>	
Load Capacitance	CL	6pF~12.5pF	
Motional Resistance (ESR)	R1	70kΩ max.	
Absolute Max. Drive Level	DLmax.	1.0μW max.	
Drive Level	DL	0.1μW typ.	
Shunt Capacitance	C0	1.3pF typ.	
Frequency Ageing	f_age	±3×10 <sup>-6</sup>	+25±3°C, First Year
Operating Temperature	T_use	-40~+85°C	
Storage Temperature	T_stg	-55~+125°C	Piece part basis

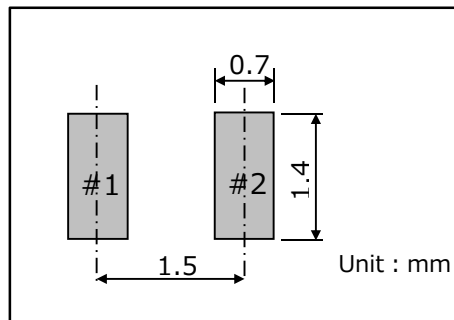
## Dimensions



## Internal Lead Connections



## Recommended Soldering Pattern



Remark: Please make sure that there is no pattern under SC-20S on the circuit board.

## Seiko Instruments Inc.

Quartz Crystal Sales Department  
 1-8, Nakase, Mihamaku, Chiba-shi, Chiba 261-8507, Japan  
 Tel : +81-43-211-1207 Fax : +81-43-211-8030  
 http : //www.sii.co.jp/en/quartz/

## Looking for pricing, stock, or lifecycle information?

Click below to explore more details on WIN SOURCE:

- ⊖ [View SC20S-7PF20PPM on WIN SOURCE](#)
- ⊖ [Seiko Instruments Information](#)

## Optimize Your Supply Chain with WIN SOURCE Solutions

- ✓ Global Sourcing Solution
- ✓ Obsolete Management
- ✓ Cost Control Management
- ✓ Shortage Management
- ✓ Alternative Solution
- ✓ Excess Inventory Management