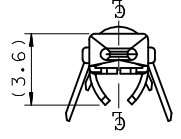
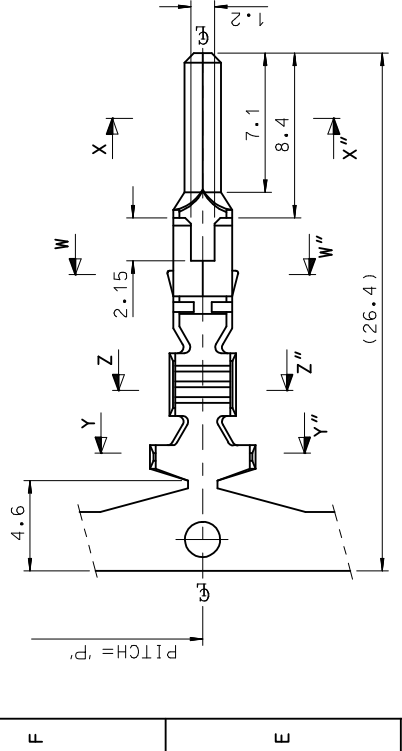




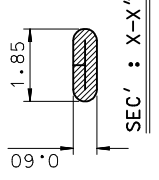
THE DATASHEET OF
0357450110



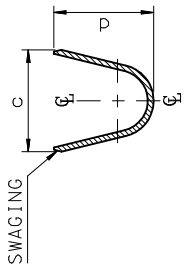
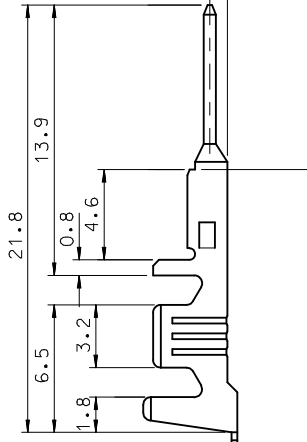


NOTES:

1. MATERIAL : Cu BRASS
2. FINISH : 0.8~1.8 μm ,TiN
0.3~0.8 μm ,Co
3. PRODUCT SPECIFICATION
4. CRIMPING SPECIFICATION
5. RECOMMENDED LENGTH

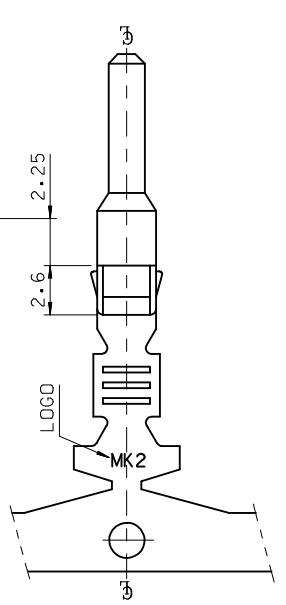


SEC' : X-X"



SEC' : X-X"

SEC' : Y-Y"



MATERIAL NO	ENG. NO.	AWG	d	b	c	d	PITCH 'P'
357450210	35745-0210	#18-#14	3.4	3.8	5.2	4.8	12.0
357450110	35745-0110	#22-#20	2.85	2.8	4.2	4.0	10.6
357450410	35745-0410	#24	2.2	1.75	3.85	3.5	10.6

REV	DESCRIPTION	QUALITY SYMBOLS	GENERAL TOLERANCES (UNLESS SPECIFIED)	SCA	DIMENSION STYLE
1	REVISED FC NO: KOR2009-0151 DRWN: JHPARK1 2009/05/18 CHKD: WY, YANG 2009/06/18 APPR: YUNSIKKIM 2009/07/01	$\blacktriangle = 0$ $\nabla = 0$	mm INCH 4 PLACES \pm --- \pm --- 3 PLACES \pm --- \pm --- 2 PLACES \pm 0.2 \pm --- 1 PLACE \pm 0.3 \pm --- ANGULAR \pm 1 °	4:1	MM ONLY
					DRAWN BY DATE JS. KANG 1998/01/19
					CHECKED BY DATE BK. CHO1 1998/01/19
					APPROVED BY DATE CW. LEE 1998/01/19
					MATERIAL NO. DATE SEE TABLE 1998/01/19
					SIZE THIS DRAWING CONTAINS INFORMATION INCORPORATED AND SHOULD BE INCORPORATED AND SHOULD

Looking for pricing, stock, or lifecycle information?

Click below to explore more details on WIN SOURCE:

 [View 0357450110 on WIN SOURCE](#)

 [Molex, LLC Information](#)

Optimize Your Supply Chain with WIN SOURCE Solutions

-  Global Sourcing Solution
-  Obsolete Management
-  Cost Control Management
-  Shortage Management
-  Alternative Solution
-  Excess Inventory Management