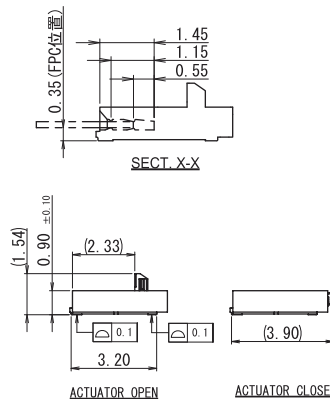
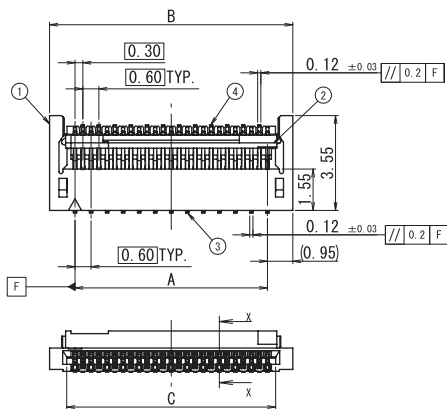


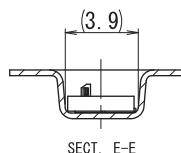
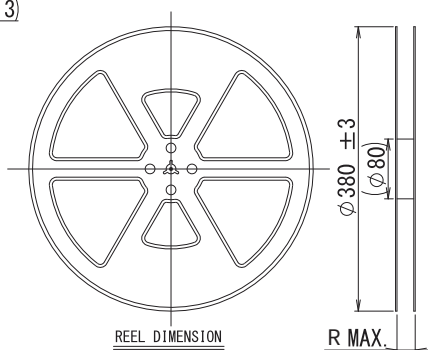
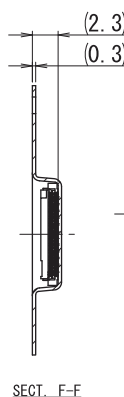
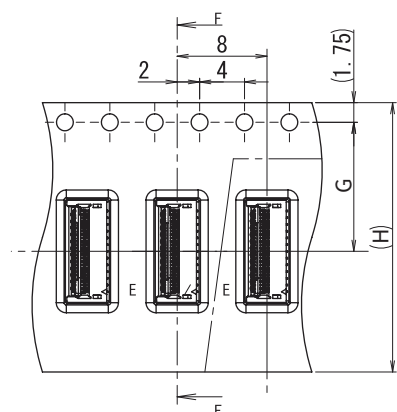
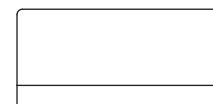
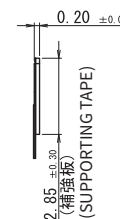
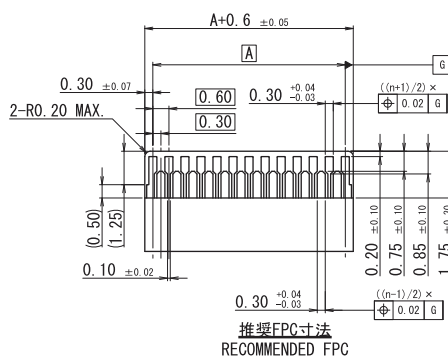
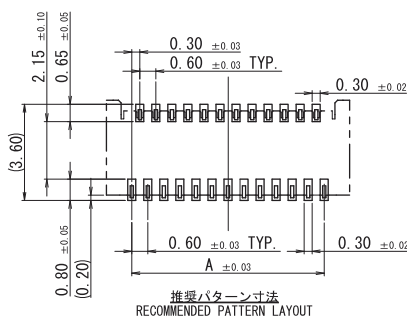
0.3mm Pitch
SERIES

6293

0.3mmピッチ RA SMT 上下両接点 バックフリップ
0.3mm Pitch, RA, SMT, Dual-sided contact, Back Flip



極数 NO. OF POS.	A	B	C
9	2.4	4.3	3.02
11	3.0	4.9	3.62
13	3.6	5.5	4.22
15	4.2	6.1	4.82
17	4.8	6.7	5.42
19	5.4	7.3	6.02
21	6.0	7.9	6.62
23	6.6	8.5	7.22
25	7.2	9.1	7.82
27	7.8	9.7	8.42
29	8.4	10.3	9.02
31	9.0	10.9	9.62
33	9.6	11.5	10.22
35	10.2	12.1	10.82
37	10.8	12.7	11.42
39	11.4	13.3	12.02



極数 NO. OF POS.	G	H	R
9	7.5	16.0	22.4
11	7.5	16.0	22.4
13	7.5	16.0	22.4
15	7.5	16.0	22.4
17	7.5	16.0	22.4
19	7.5	16.0	22.4
21	7.5	16.0	22.4
23	11.5	24.0	30.4
25	11.5	24.0	30.4
27	11.5	24.0	30.4
29	11.5	24.0	30.4
31	11.5	24.0	30.4
33	11.5	24.0	30.4
35	11.5	24.0	30.4
37	11.5	24.0	30.4
39	11.5	24.0	30.4

注文コード ORDERING CODE

04 6293 6XX 105 468+

極数
Number of Positions

RoHS 対応品
RoHS Compliant Product

生産対応可能極数については、営業部にご確認願います。

Feel free to contact our sales department for available numbers of positions.

梱包数量 5000個/リール
PACKING QUANTITY : 5000 /Reel

Looking for pricing, stock, or lifecycle information?

Click below to explore more details on WIN SOURCE:

- ⊖ [View 046293613005829+](#) on WIN SOURCE
- ⊖ [AVX Corp/Kyocera Corp](#) Information

Optimize Your Supply Chain with WIN SOURCE Solutions

- ✓ Global Sourcing Solution
- ✓ Obsolete Management
- ✓ Cost Control Management
- ✓ Shortage Management
- ✓ Alternative Solution
- ✓ Excess Inventory Management