



**THE DATASHEET OF**  
**046866771000846+**





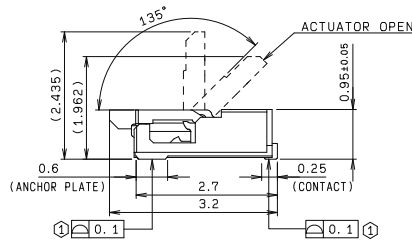
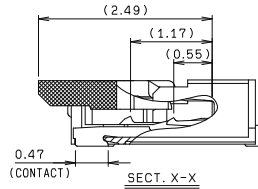
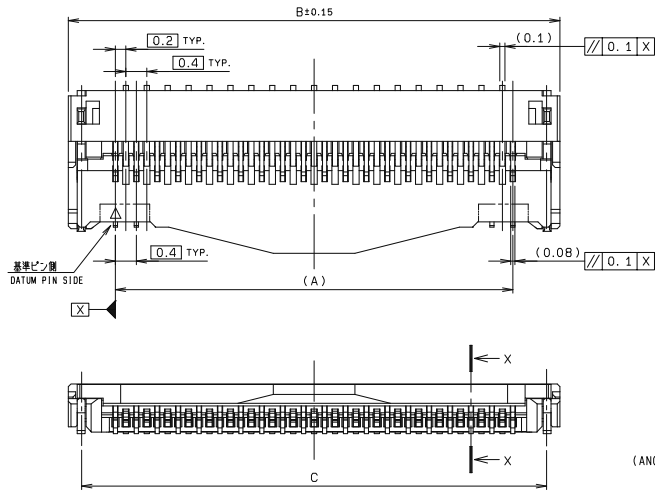
0.2mm Pitch

SERIES

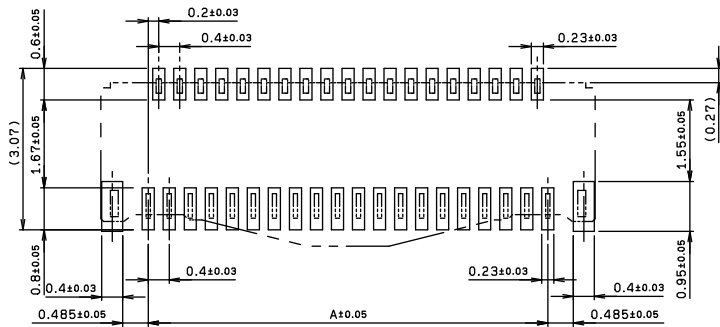
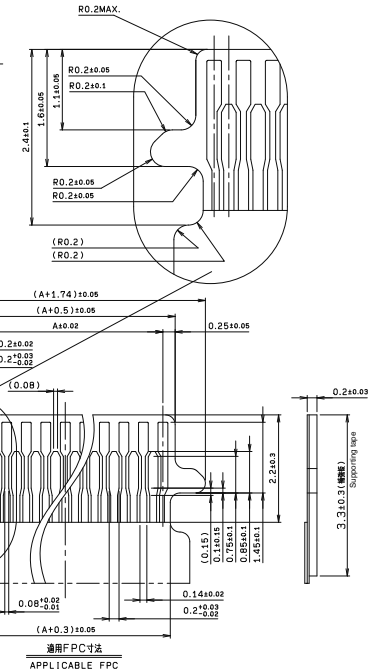
# 6866

0.2mm Pitch FPC コネクタ (45~71極)

0.2mmPitch, FPC Connector (45 to 71pos.)

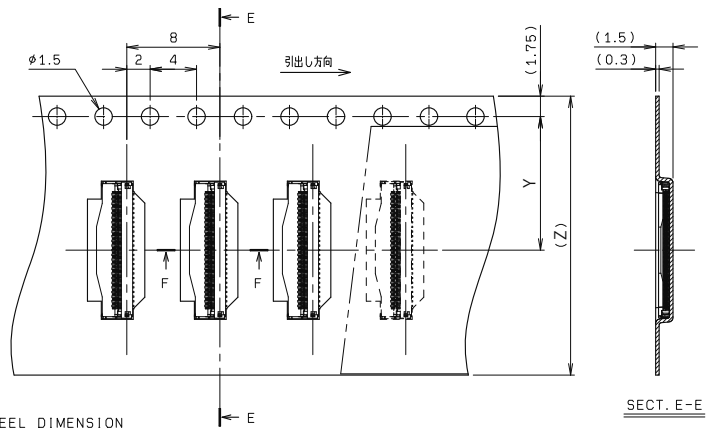
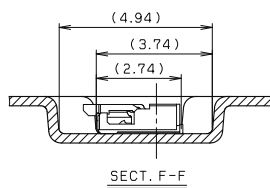


極数 NO. OF POS.	A	B	C
45	8.8	10.6	10.09
51	10.0	11.8	11.29
61	12.0	13.8	13.29
71	14.0	15.8	15.29



基板取付法  
MOUNTING LAYOUT

極数 NO. OF POS.	Y	Z
45	11.5	24.0
51	11.5	24.0
61	11.5	24.0
71	11.5	24.0



REEL DIMENSION

注文コード / Ordering Code

Part No. 04 6866 7XX 000 846+

RoHS 対応品  
RoHS Compliant Product

生産対応可能極数については、営業部にご確認願います。

Feel free to contact our sales department for available numbers of positions.

極数 No. of Pos.

梱包数量：5,000個/リール

PACKING QUANTITY: 5,000/Reel



- このカタログの記載内容については予告なく変更することがありますので、ご了承ください。  
Specification of the catalogue might be changed without notice.
- 御使用の際は、納入仕様書を確認の上、正しくお使いください。  
Please verify our drawing and specification with your design.

## Looking for pricing, stock, or lifecycle information?

Click below to explore more details on WIN SOURCE:

- [⊖ View 046866771000846+ on WIN SOURCE](#)
- [⊖ AVX Corp/Kyocera Corp Information](#)

## Optimize Your Supply Chain with WIN SOURCE Solutions

- ✓ Global Sourcing Solution
- ✓ Obsolete Management
- ✓ Cost Control Management
- ✓ Shortage Management
- ✓ Alternative Solution
- ✓ Excess Inventory Management