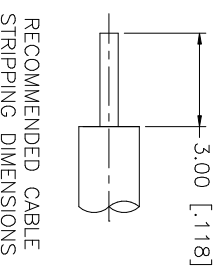
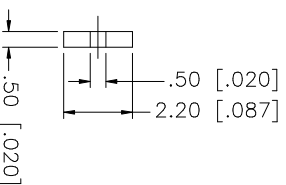
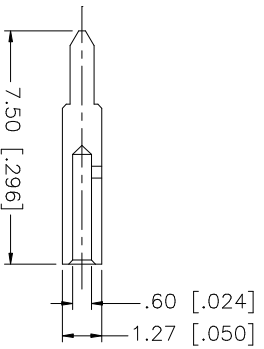
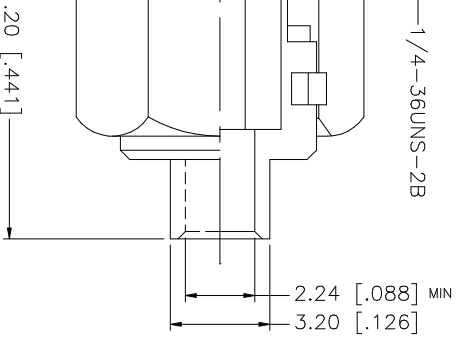



REV.	DATE	DESCRIPTION
A	01/09/98	ADD CONTACT PIN/ CHANGE I.D./ REDIMENSION
B	01/26/02	ADD CROSS SECTION OF BODY
C	07/22/02	INCREASE BODY LENGTH TO 11.20
D	05/14/03	UPDATE DRAWING FORMAT



UNLESS OTHERWISE SPECIFIED DIMENSIONS ARE IN MILLIMETERS. DIMENSIONS IN [] ARE IN INCHES AND FOR CUSTOMER REFERENCE ONLY.		UNLESS OTHERWISE SPECIFIED TOLERANCES FOR MILLIMETERS ARE:		UNLESS OTHERWISE SPECIFIED TOLERANCES FOR INCHES ARE:		DO NOT SCALE DRAWING	
		0.5 - 8mm ± 0.20mm		.020 - .315 = ± 0.007"			
		8 - 30mm ± 0.40mm		.315 - 1.180 = ± 0.015"			
		30 - 120mm ± 0.50mm		1.180 - 4.724 = ± 0.020"			
SILICONE	RED						
BRASS	GOLD						
TEFLON	NATURAL						
BRASS	GOLD						
MATERIAL	FINISH	QTY					
APPROVALS		DATE	CAD FILE				
DRAWN	G.R.S.	05/14/03	C:/132/132101.DWG				
CHECKED			DWG. NO. 132101.DWG				
ISSUED			REV. NC				
SHEET	1 OF 1		SIZE A				
PART DESCRIPTION		SCALE NA					
SMA SEMI-RIGID PLUG (FOR .085", .086" CABLE)		PART NO. 132101					
Amphenol Connex							

Looking for pricing, stock, or lifecycle information?

Click below to explore more details on WIN SOURCE:

 [View 132101 on WIN SOURCE](#)

 [Amphenol Information](#)

Optimize Your Supply Chain with WIN SOURCE Solutions

-  Global Sourcing Solution
-  Obsolete Management
-  Cost Control Management
-  Shortage Management
-  Alternative Solution
-  Excess Inventory Management