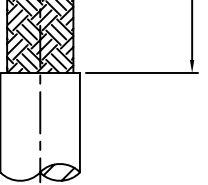




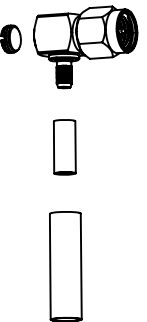
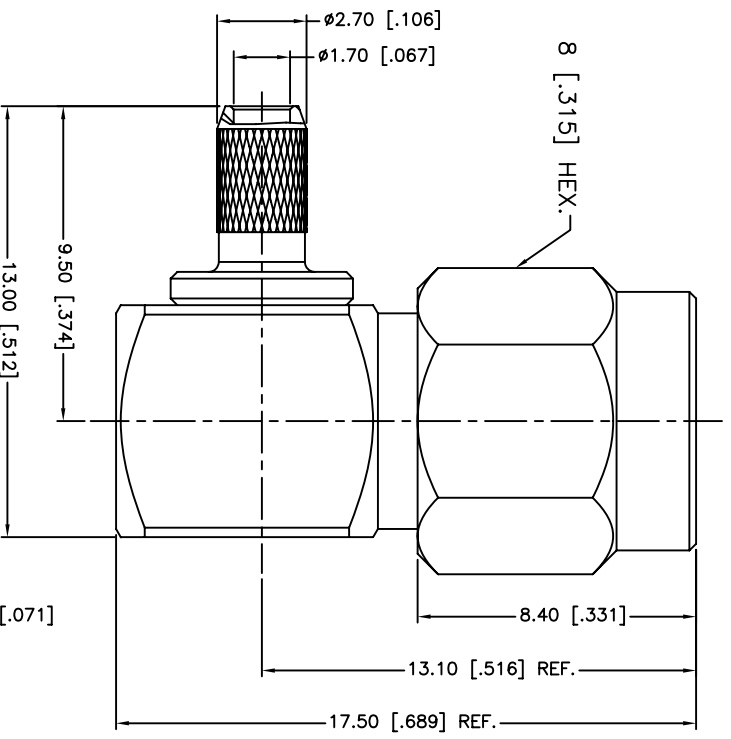
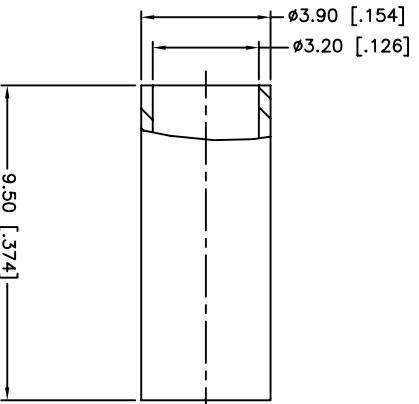
THE DATASHEET OF
132123



REV.	DATE	ECR NO.	DESCRIPTION
NC		XXXX	INITIAL RELEASE
A	04/31/03	XXXX	UPDATE DRAWING FORMAT
B	11/13/06	XXXX	MODIFY BARREL O.D. TO 2.70 MM
C	04/27/08	100011	REVISE FERRULE I.D. TO 3.20 MM AND O.D. TO 3.9 MM
D	11/26/12	2405	IMPROVE ELECTRICAL PERFORMANCE, UPDATE DRAWING FORMAT



FINISHED DIM'S



@ 0-3 GHz
100 VRMS, MIN.

C



QTY	DO NOT SCALE DRAWING
1	UNLESS OTHERWISE SPECIFIED DIMENSIONS ARE IN MILLIMETERS. DIMENSIONS IN PARENTHESES ARE IN INCHES AND FOR CUSTOMER REFERENCE ONLY.
1	UNLESS OTHERWISE SPECIFIED TOLERANCES FOR MILLIMETERS ARE:
1	0.5 - 8mm ± 0.20mm
1	8 - 30mm ± 0.40mm
1	30 - 120mm ± 0.50mm
1	UNLESS OTHERWISE SPECIFIED TOLERANCES FOR INCHES ARE:
1	0.20 - .315 = ± 0.007"
1	.315 - 1.180 = ± 0.015"
1	1.180 - 4.724 = ± 0.020"

APPROVALS	DATE
DRAWN M.ZHANG	11/26/12
CHECKED	
ISSUED	
SHEET 1 OF 1	

APPROVALS	DATE	DESCRIPTION
Amphenol Connex		
SMA R/A CRIMP PLUG (FOR RG-174/U,188A/U,316/U)		
PART NO.	132123	
DWG. NO.	132123.DWG	
REV. D	SIZE A	SCALE NA

Looking for pricing, stock, or lifecycle information?

Click below to explore more details on WIN SOURCE:

-  [View 132123 on WIN SOURCE](#)
-  [Amphenol Information](#)

Optimize Your Supply Chain with WIN SOURCE Solutions

-  Global Sourcing Solution
-  Obsolete Management
-  Cost Control Management
-  Shortage Management
-  Alternative Solution
-  Excess Inventory Management