

WINSOURCE
ELECTRONICS
THE DATASHEET OF
132203-16

www.win-source.net

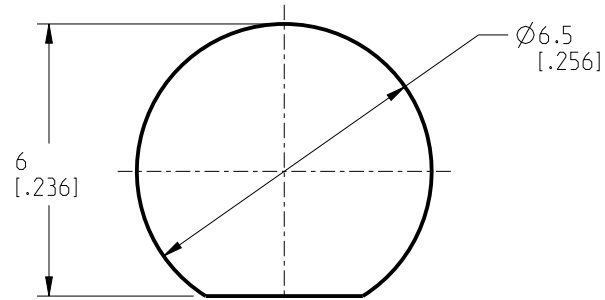
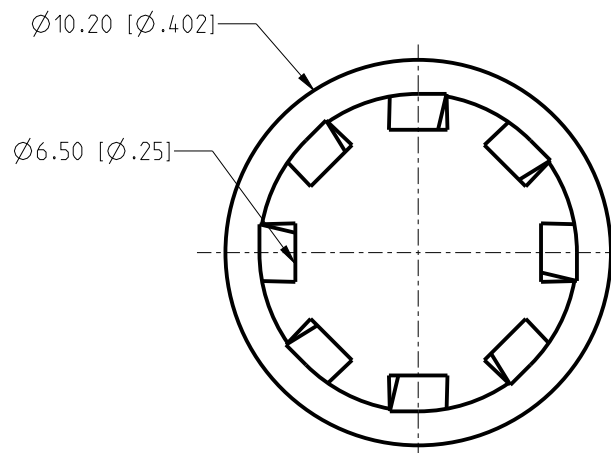
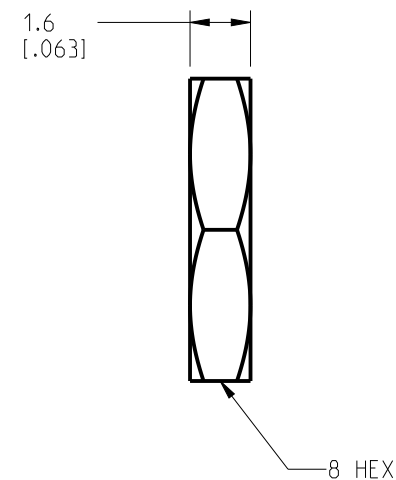


0086-755-83957316

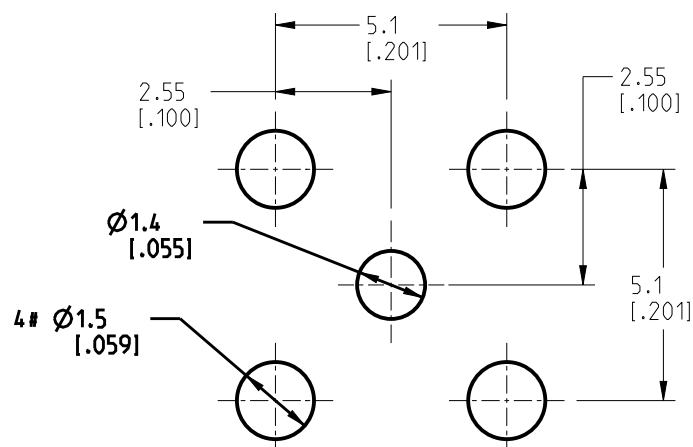
NOTES:

1. MATERIALS AND FINISHES:
 - BODY - BRASS, GOLD PLATING
 - CONTACT - BERYLLIUM COPPER, GOLD PLATING
 - INSULATOR - PTFE, NATURAL
 - NUT AND LOCK WASHER - BRASS, GOLD PLATING
2. ELECTRICAL:
 - A. IMPEDANCE: 50 OHM
 - B. FREQUENCY: DC - 12.4 GHz
 - C. DIELECTRIC WITHSTANDING VOLTAGE: 500 VRMS, MIN.
3. MECHANICAL:
 - A. DURABILITY: 500 CYCLES MIN.
 - B. TEMPERATURE RANGE: -65°C TO 165°C
4. MAX. PANEL THICKNESS: 4.2 mm
5. PACKAGING:
 - A. QUANTITY: SINGLE PACK
 - B. MARKING: PACKAGING TO BE MARKED "AMPHENOL RF, 132203-16, AND DATE CODE"

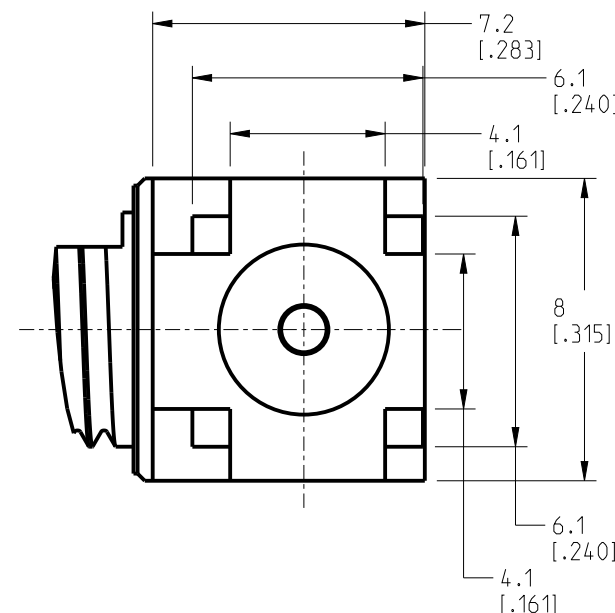
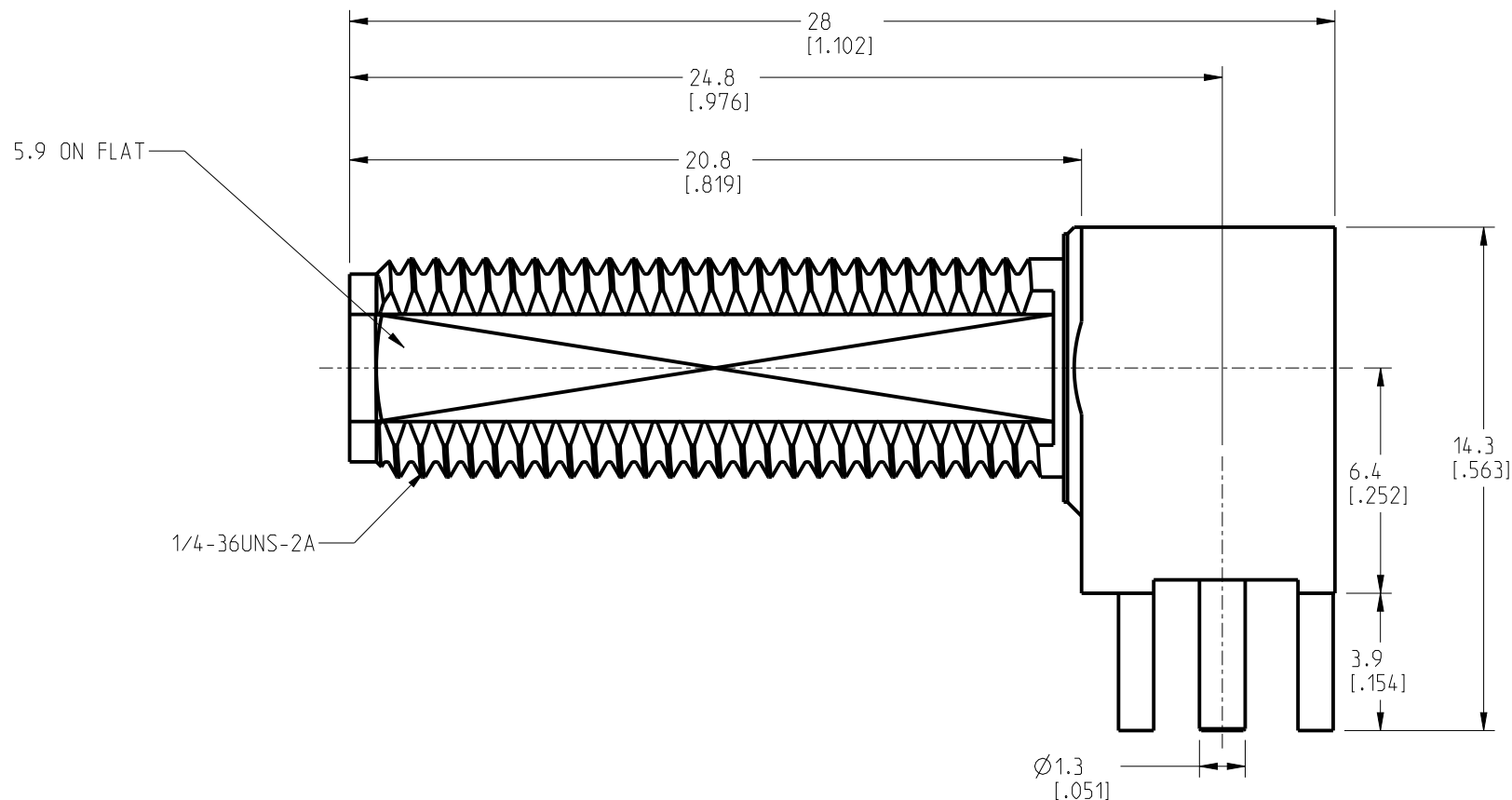
REVISIONS				
REV	DESCRIPTION	DATE	ECN	BY
A	RELEASE TO MFG	13 APR 2008	---	---
B	PRPROPOSED UPDATE RELEASE FOR MFG	29 SEP 2020	15551	DG



SCALE 6.000
RECOMENDED
MOUNTING HOLE



SCALE 6.000
PCB MOUNTING HOLES



CUSTOMER OUTLINE DRAWING

ALL OTHER SHEETS ARE FOR INTERNAL USE ONLY

NOTICE: These drawings, specifications, or other data (1) are, and remain the property of Amphenol corp. (2) must be returned upon request; and (3) are confidential and not to be disclosed to any person other than those to whom they are given by Amphenol Corp. The furnishing of these drawings, specifications, or other data by Amphenol Corp., or to any other person to anyone for any purpose is not to be regarded by implication or otherwise in any manner licensing, granting rights to permitting such holder or any other person to manufacture, use or sell any product, process or design, patented or otherwise, that may in any way be related to or disclosed by said drawings, specifications, or other data.

UNLESS OTHERWISE SPECIFIED
DIMENSIONS ARE METRIC (INCHES) AND TOLERANCES ARE:
 <0.5mm = ±0.05mm [$<0.020 = \pm 0.002$]
 >0.5 - 6mm = ±0.1mm [$>0.020 - 0.236 = \pm 0.004$]
 >6.00 - 30mm = ±0.2mm [$>0.236 - 1.181 = \pm 0.008$]
 >30.00 - 120mm = ±0.3mm [$>1.181 - 4.725 = \pm 0.012$]

MATERIAL: ENGINEER T HOWLETT
 DATE: 24-SEP-20

TITLE: SMA R/A BULKHEAD RECEPTACLE
 SHEET NO. 2 OF 2
 SCALE: 2.0:1.0

Amphenol RF
 DRAWING NO. 132203-16
 ITEM NO. 132203-16
 PART NO. 132203-16
 REV B



THIRD ANGLE PROJ. REFERENCE EAR#

ANGLES = ±1°

Looking for pricing, stock, or lifecycle information?

Click below to explore more details on WIN SOURCE:

[View 132203-16 on WIN SOURCE](#)

[Amphenol Information](#)

Optimize Your Supply Chain with WIN SOURCE Solutions

- ✓ Global Sourcing Solution
- ✓ Obsolete Management
- ✓ Cost Control Management
- ✓ Shortage Management
- ✓ Alternative Solution
- ✓ Excess Inventory Management