

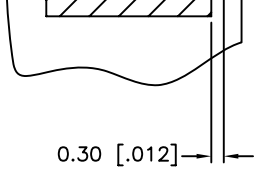


THE DATASHEET OF
132323

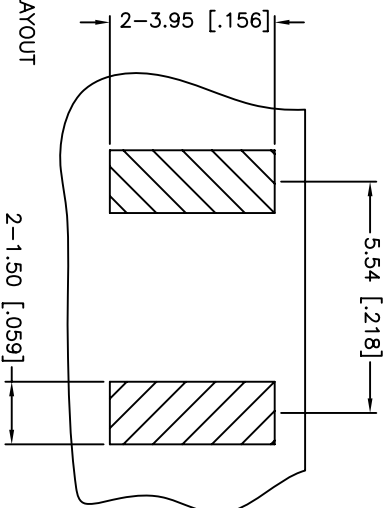


2.77 [.109]

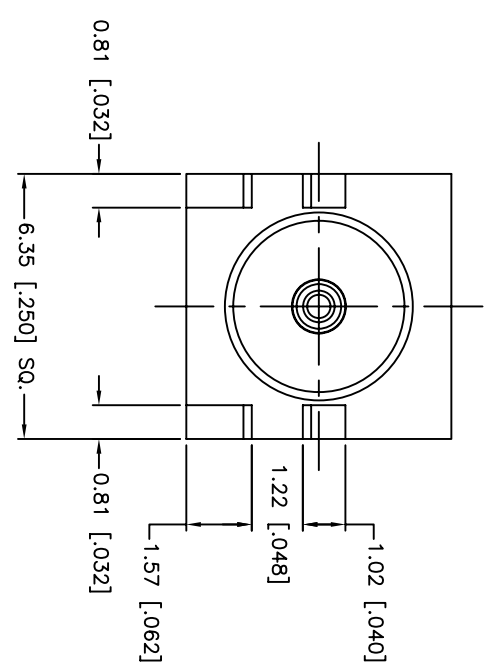
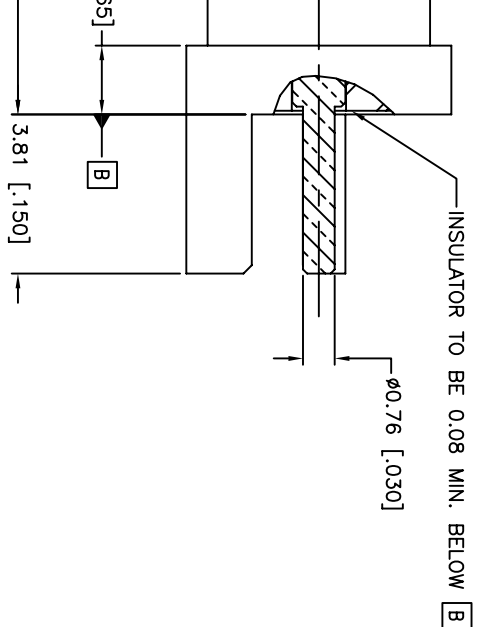
REV.	DATE	ECR NO.	DESCRIPTION
NC	04/02/01	XXXXXX	INITIAL RELEASE
A	02/03/10	2020	ADDED RECOMMENDED PCB LAYOUT
B	07/11/11	2197	CHANGE THE DESCRIPTION TO " SMA END LAUNCH RECEPT. JACK"



[.059]
RECOMMENDED PCB LAYOUT



BOTTOM VIEW



UNLESS OTHERWISE SPECIFIED DIMENSIONS ARE IN MILLIMETERS DIMENSIONS IN PARENTHESIS ARE IN INCHES AND FOR CONSUMER REFERENCE ONLY.	
UNLESS OTHERWISE SPECIFIED TOLERANCES FOR MILLIMETERS ARE: 0.5 - 8mm ± 0.20mm 8 - 30mm ± 0.40mm 30 - 120mm ± 0.50mm	
UNLESS OTHERWISE SPECIFIED TOLERANCES FOR INCHES ARE: .020 - .315 = ± 0.007" .315 - 1.180 = ± 0.015" 1.180 - 4.724 = ± 0.020"	
APPROVALS	DATE
DRAWN M.ZHANG	07/11/11
CHECKED	
ISSUED	
SHEET 1 OF 1	
Amphenol Connex	
SMA END LAUNCH RECEPT. JACK (.042" BOARD THICKNESS)	
PART NO. 132323	
C:/CONNEX/132323.DWG	
DWG. NO. 132323.DWG	REV. B
SIZE A	SCALE NA
QTY 1	DO NOT SCALE DRAWING

Looking for pricing, stock, or lifecycle information?

Click below to explore more details on WIN SOURCE:

- ⊖ [View 132323 on WIN SOURCE](#)
- ⊖ [Amphenol Information](#)

Optimize Your Supply Chain with WIN SOURCE Solutions

- ✓ Global Sourcing Solution
- ✓ Obsolete Management
- ✓ Cost Control Management
- ✓ Shortage Management
- ✓ Alternative Solution
- ✓ Excess Inventory Management