



**THE DATASHEET OF**  
**1326947-1**



4

3

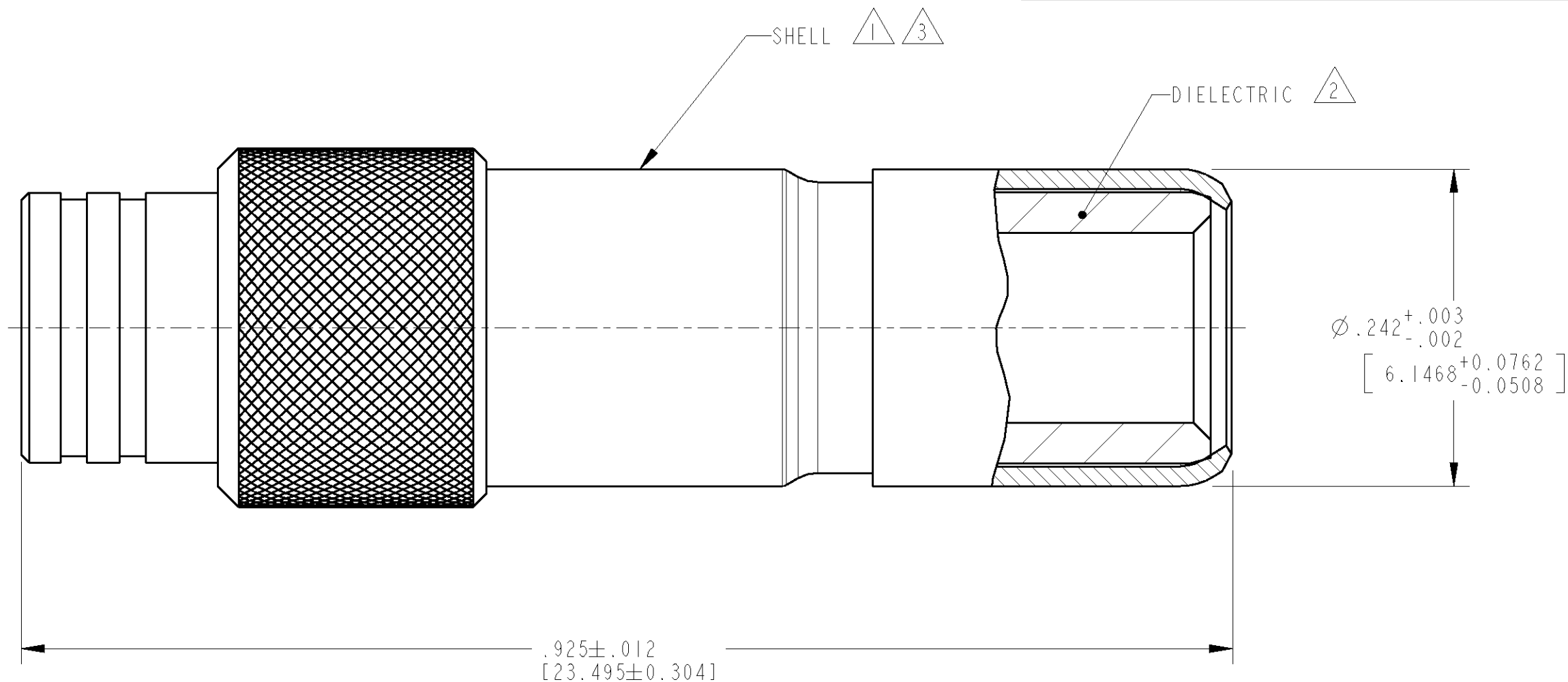
2

1

THIS DRAWING IS UNPUBLISHED. RELEASED FOR PUBLICATION 20

© COPYRIGHT 20 BY TYCO ELECTRONICS CORPORATION. ALL RIGHTS RESERVED.

LOC	DIST	REVISIONS			
P	LTR	DESCRIPTION	DATE	DWN	APVD
GE	00	0	RLSD PER EC 0K40-0431-04	21DEC2004	RDW LLV



- 1 MATERIAL: BRASS PER QQ-B-626.
- 2 MATERIAL: POLYMETHYLPENTENE (TPX)
- 3 FINISH: BRIGHT TIN PLATE PER ASTM-B-545

1326947-1

PART NUMBER

<small>THIS DRAWING IS A CONTROLLED DOCUMENT FOR TYCO ELECTRONICS CORPORATION IT IS SUBJECT TO CHANGE AND THE CONTROLLING ENGINEERING ORGANIZATION SHOULD BE CONTACTED FOR THE LATEST REVISION.</small>		DWN R. WOOTEN 21DEC2004 CHK L. VARSIK 21DEC2004 APVD L. VARSIK 21DEC2004		<b>tyco</b> Tyco Electronics <b>Electronics</b> Harrisburg, PA 17105-3608	
DIMENSIONS: INCHES [mm]		TOLERANCES UNLESS OTHERWISE SPECIFIED: 0 PLC ±- 1 PLC ±- 2 PLC ±- 3 PLC ±- 4 PLC ±- ANGLES ±-		NAME SUB ASSEMBLY, JACK SNAP-LOCK	
		MATERIAL 1 2 FINISH 3		PRODUCT SPEC - APPLICATION SPEC - WEIGHT -	
		SIZE A3 CAGE CODE 00779 DRAWING NO C-1326947		RESTRICTED TO -	
CUSTOMER DRAWING		SCALE 10:1		SHEET 1 OF 1 REV 0	

## Looking for pricing, stock, or lifecycle information?

Click below to explore more details on WIN SOURCE:

 [View 1326947-1](#) on WIN SOURCE

 [TE Connectivity](#) Information

## Optimize Your Supply Chain with WIN SOURCE Solutions

-  Global Sourcing Solution
-  Obsolete Management
-  Cost Control Management
-  Shortage Management
-  Alternative Solution
-  Excess Inventory Management