



**THE DATASHEET OF**  
**046251050010846+**

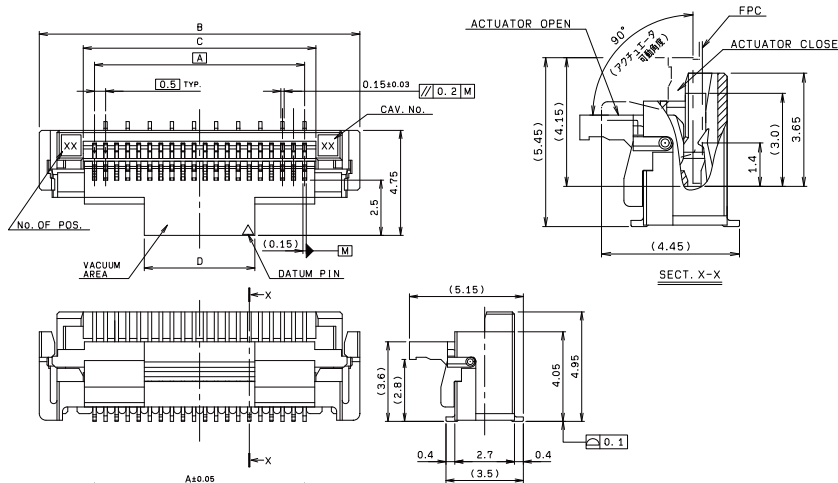


0.5mm Pitch  
SERIES

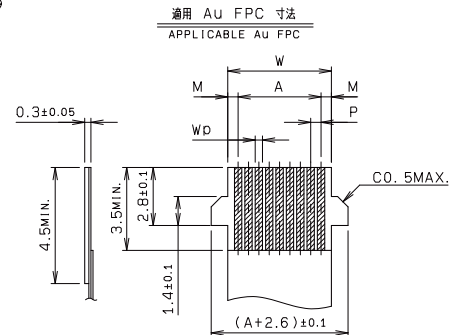
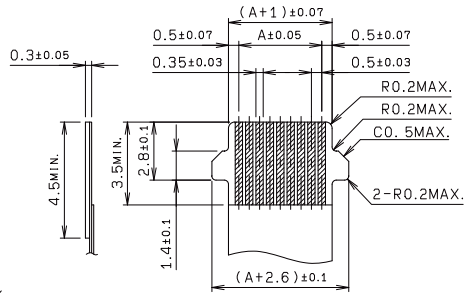
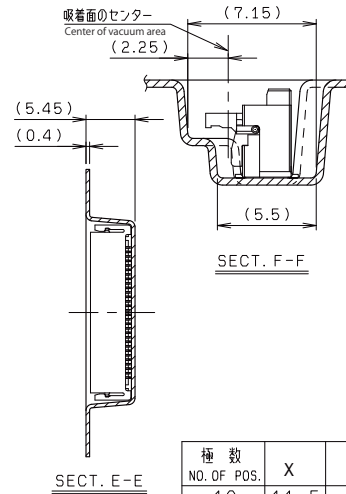
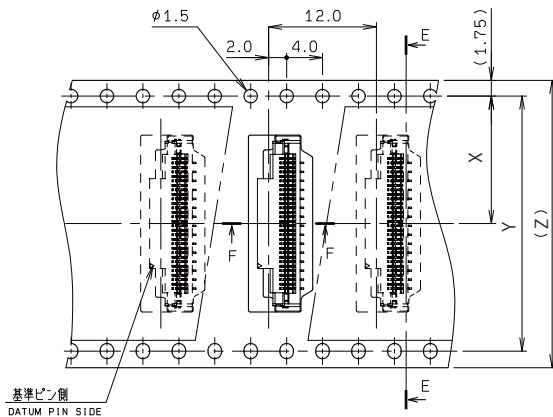
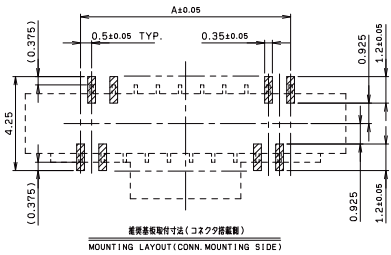
# 6251

0.5mmピッチ ST SMT 片面接点 ワンタッチロック

0.5mmPitch Vertical SMT Single-sided contact One-touch lock



極数 NO. OF POS.	A	B	C	D
10	4.5	9.5	5.6	3.0
16	7.5	12.5	8.6	4.0
30	14.5	19.5	15.6	7.0
33	16.0	21.0	17.1	8.5
36	17.5	22.5	18.6	10.0
40	19.5	24.5	20.6	8.0
45	22.0	27.0	23.1	10.5
50	24.5	29.5	25.6	13.0
60	29.5	34.5	30.6	18.0
64	31.5	36.5	32.6	20.0



極数 NO. OF POS.	X	Y	Z
10	11.5	---	24.0
16	11.5	---	24.0
30	14.2	28.4	32.0
33	14.2	28.4	32.0
40	20.2	40.4	44.0
45	20.2	40.4	44.0
50	20.2	40.4	44.0
60	26.2	52.4	56.0
64	26.2	52.4	56.0

FFC		
1	2	
M	0.5±0.08	0.5±0.07
P	0.5±0.05	0.5±0.03
A	A±0.05	A±0.05
W	W±0.07	W±0.07
WD	0.32±0.03	0.30±0.03

適用 FPC/FFC 寸法は  
1か2を選択のこと。  
Select an applicable  
FPC/FFC from 1 or 2.

生産対応可能極数については、営業部にご確認願います。

Feel free to contact our sales department for available numbers of positions.

梱包数量 1000個/リール  
PACKING QUANTITY 1000/Reel

注文コード ORDERING CODE

04 6251 0XX 010 846+

└ 極数 NUMBER OF POSITIONS

RoHS 対応品

RoHS Compliant Product

## Looking for pricing, stock, or lifecycle information?

Click below to explore more details on WIN SOURCE:

- ⊖ [View 046251050010846+ on WIN SOURCE](#)
- ⊖ [AVX Corp/Kyocera Corp Information](#)

## Optimize Your Supply Chain with WIN SOURCE Solutions

- ✓ Global Sourcing Solution
- ✓ Obsolete Management
- ✓ Cost Control Management
- ✓ Shortage Management
- ✓ Alternative Solution
- ✓ Excess Inventory Management