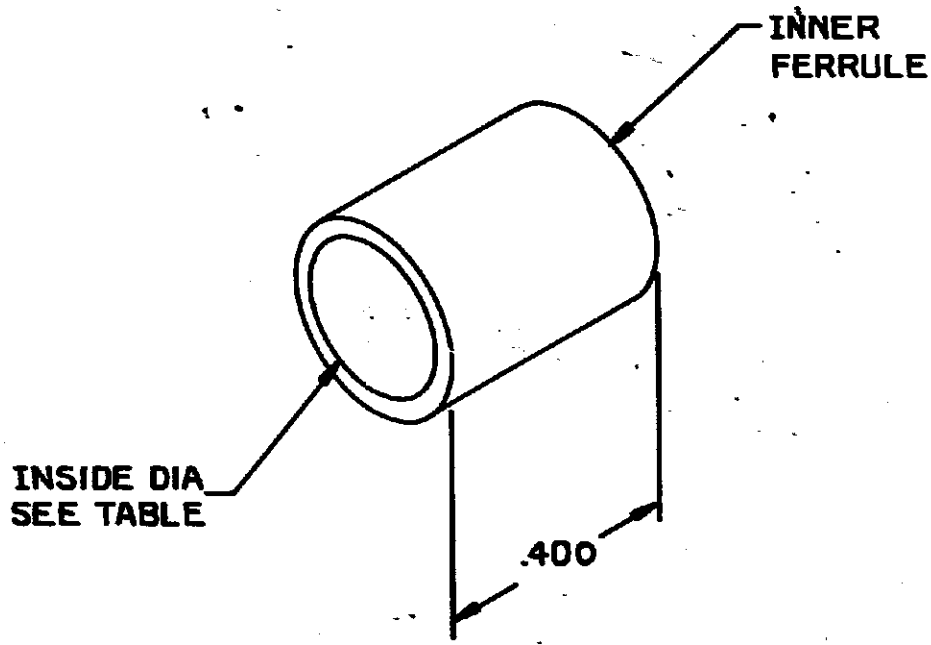


DRAWING MADE IN THIRD ANGLE PROJECTION

THIS DRAWING IS UNPUBLISHED. RELEASED FOR PUBLICATION . 19  
 © COPYRIGHT 19 BY AMP INCORPORATED, HARRISBURG, PA. ALL INTERNATIONAL RIGHTS RESERVED. AMP PRODUCTS MAY BE COVERED BY U.S. AND FOREIGN PATENTS AND/OR PATENTS PENDING.

		2		1		LOC AA	QIST 15/2
P		F		REVISIONS		DATE	APPROVED
		ZONE	LTR	DESCRIPTION			
0	1			RLSD; NPI C86-1		3/6/86	<i>[Signature]</i>

D  
C  
B  
A



BULK PACKED	.500	-6
	.450	-5
	.400	-4
	.350	-3
	.300	-2
	.250	554725-1

UNLESS OTHERWISE SPECIFIED DIMENSIONS ARE IN INCHES. TOLERANCES ON DECIMALS ±.005 ANGLES ±.2		CONTRACT NO		AMP   AMP INCORPORATED Harrisburg, Pa.	
MATERIAL .017 THK COPPER ZINC ALLOY		DR <i>C. Gandy</i> 3/6/86		NAME FERRULE, INNER, SHIELDED CHAMP	
FINISH _____		CHK <i>[Signature]</i> 3-20-86		DRAWING NO 554725	
		APPD <i>B. Hitehead</i> 5/27/86		FSCM NO 00779	
		DESIGN APPD _____		SCALE 4:1	
		OTHER APPD _____		SHEET 1 OF 1	

AMP 1470-17

CUSTOMER DRAWING

## Looking for pricing, stock, or lifecycle information?

Click below to explore more details on WIN SOURCE:

[View 554725-4 on WIN SOURCE](#)

[TE Connectivity Information](#)

## Optimize Your Supply Chain with WIN SOURCE Solutions

- ✓ Global Sourcing Solution
- ✓ Obsolete Management
- ✓ Cost Control Management
- ✓ Shortage Management
- ✓ Alternative Solution
- ✓ Excess Inventory Management