



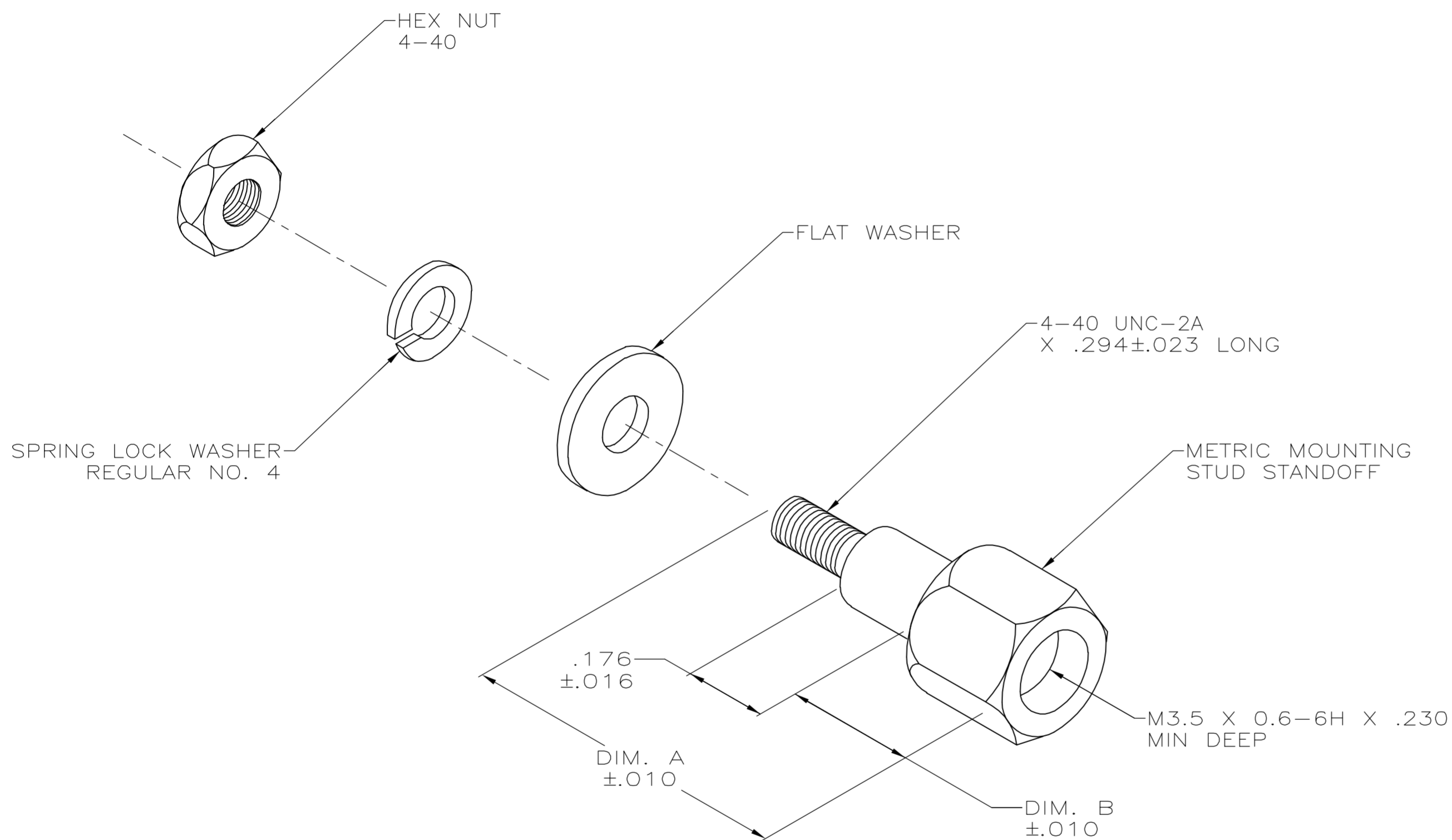
THE DATASHEET OF
5553636-3



THIS DRAWING IS UNPUBLISHED. RELEASED FOR PUBLICATION
 © COPYRIGHT BY TYCO ELECTRONICS CORPORATION. ALL RIGHTS RESERVED.

LOC	DIST	REVISIONS			
P	LTR	DESCRIPTION	DATE	DWN	APVD
GP	00	0	RELEASED PER EC 0513-0288-05	17OCT05	BM WM

- 1. MATERIAL: METRIC MOUNTING STUD – BLACK OXIDE COATED CARBON STEEL.
WASHER, LOCKWASHER AND HEX NUT – ZINC PLATED STEEL.
- 2. ALL HARDWARE SHIPPED UNASSEMBLED.



.193	.688	5553636-3
.256	.750	5553636-2
DIM. B	DIM. A	PART NUMBER

THIS DRAWING IS A CONTROLLED DOCUMENT.		DWN B. MCMASTER	17OCT05	Tyco Electronics Corporation Harrisburg, PA 17105-3608
DIMENSIONS: INCHES		CHK W. MILLHIMES	17OCT05	
		APVD W. MILLHIMES	17OCT05	
TOLERANCES UNLESS OTHERWISE SPECIFIED:		PRODUCT SPEC		
0 PLC ± - 1 PLC ± - 2 PLC ± - 3 PLC ± - 4 PLC ± - ANGLES ± - FINISH		APPLICATION SPEC		NAME HARDWARE KIT, SHIELDED, CHAMP LATCH
MATERIAL		WEIGHT		
		CUSTOMER DRAWING		CAGE CODE 00779
		SCALE 4:1		DRAWING NO C=5553636
		SHEET 1 of 1		RESTRICTED TO -
		REV 0		

Looking for pricing, stock, or lifecycle information?

Click below to explore more details on WIN SOURCE:

 [View 5553636-3 on WIN SOURCE](#)

 [TE Connectivity](#) Information

Optimize Your Supply Chain with WIN SOURCE Solutions

-  Global Sourcing Solution
-  Obsolete Management
-  Cost Control Management
-  Shortage Management
-  Alternative Solution
-  Excess Inventory Management